

**Refrigeration Equipment
Merchandiser Freezer, 72 cu.
ft, 3 Glass Door, black (R404a)**

ITEM # _____

MODEL # _____

NAME # _____

SIS # _____

AIA # _____



738310 (KCHGM72F)

3-glass door merchandiser freezer, black, 72 cubic feet, R404a refrigerant gas, -9°F

Short Form Specification

Item No. _____

3-glass door freezer with exterior back and bottom panel in galvanized steel, exterior side, and top in painted steel; interior back, side top and bottom panels in 304 stainless steel.

Electronic control.

R404A gas in refrigeration circuit.

ETL Safety and Sanitation certified.

3/5 Years warranty.

Main Features

- External temperature display.
- Removable door gasket for easy cleaning operations.
- Fin & Tube Condenser improves performance in high temperature environments.
- Automatic Defrost Cooling System provides worry-free performance.
- Heavy duty Vinyl coated steel shelves.
- High efficiency components to minimize the energy consumption still guaranteeing the highest performances.
- Cabinet and door insulated with high density polyurethane for low environmental impact.
- Interior LED light to save energy and for best internal visibility.

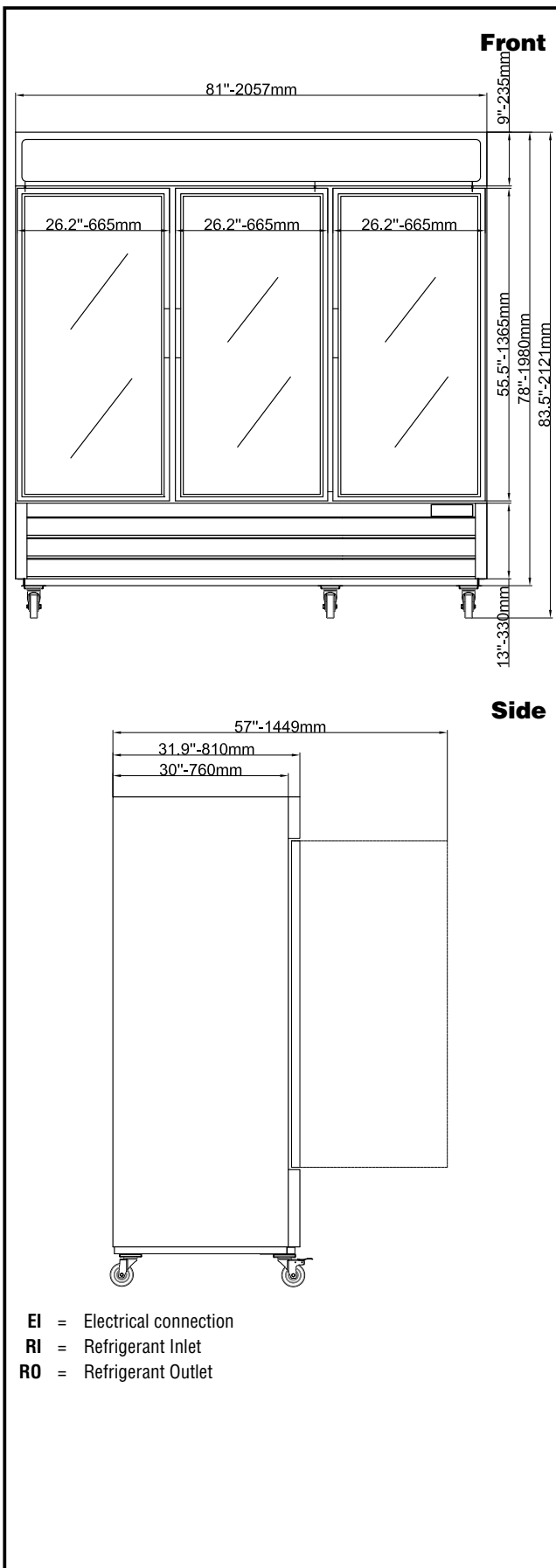
Construction

- Electronic control to select temperatures.
- Lockable door.
- Refrigerant type: R448a.
- Pre-wired heavy duty power cord.
- Heavy duty door hinges.
- Magnetic door gasket removable without tools for easy cleaning.

Optional Accessories

- shelf for 48" and 72" (left/right) merchandiser PNC 880594
- middle shelf for 72" merchandiser PNC 880595
- shelf clips PNC 880611

APPROVAL: _____



Electric

| | | |
|------------------------|-------------------|------------------|
| Supply voltage: | 738310 (KCHGM72F) | 220 V/1 ph/60 Hz |
| Electrical power, max: | | 1 kW |
| Current consumption: | | 1 Amps |
| Plug type: | | USA NEMA L14-20P |

Key Information:

| | |
|--------------------------------------|---|
| Capacity (Cu. Ft.) | 72 |
| Door hinges: | Right Side |
| External dimensions, Width: | 81 " (2057 mm) |
| External dimensions, Depth: | 31 7/8" (810 mm) |
| External dimensions, Height: | 83 1/2" (2121 mm) |
| Number and type of doors: | 3 Glass |
| Internal Dimensions (depth): | 62 1/64" |
| Internal Dimensions (height): | 28 3/8" |
| Internal Dimensions (width): | 25 3/16" |
| Shipping height: | 85 13/16" (2180 mm) |
| Shipping weight: | 820 lbs (372 kg) |
| Shipping volume: | 142.86 ft ³ (4.05 m ³) |
| Number and type of grids (included): | 12 - Vinyl-Coated Steel |
| Type of external material: | Black Prepainted Steel |
| Type of internal material: | White Prepainted Aluminium |
| Warranty: | 3 / 5 years |

Refrigeration Data

| | |
|-----------------------------|--------------|
| Compressor Horsepower: | 3/4 |
| Refrigerant type: | R404A |
| Refrigerant weight: | 819 g |
| Operating temperature min.: | -7.6 °F |
| Operating temperature max.: | -4 °F |
| Condenser type: | Fin & tube |
| Defrost type: | Auto Defrost |