

KOOLAIRE®

Koolaire Ice Machines UnderCounter Models

Installation, Operation and Maintenance Manual



Table of Contents

Section 1

General Information

Model Numbers	4
Accessories	4
Bin Caster	4
Arctic Pure Water Filter System	4
Manitowoc Cleaner and Sanitizer	4

Section 2

Installation Instructions

Location of Ice Machine	5
Ice Machine Heat of Rejection	5
Leveling the Ice Machine	5
Electrical Service	6
General	6
Voltage	6
Fuse/Circuit Breaker	6
Total Circuit Ampacity	6
Ground Fault Circuit Interrupter	6
K130/K170/K210/K270 Ice Machine	6
Water Service/Drains	7
Water Supply	7
Water Inlet Lines	7
Drain Connections	7
Cooling Tower Applications	7
Water Supply and Drain Line Sizing/Connections	8
Before Starting the Ice Machine	9
Installation Checklist	9

Section 3

Operation

Ice Making Sequence of Operation	10
Initial Start-up Or Start-up After Automatic Shut-off	10
Freeze Sequence	10
Harvest Sequence	10
Automatic Shut-off	10
Energized Parts Chart	11
Operational Checks	12
General	12
Siphon System	12
Water Float Valve Check	12
Water Level Check	13
Ice Bridge Thickness Check	13

Table of Contents (continued)

**Section 4
Maintenance**

Interior Cleaning and Sanitizing	14
General	14
Cleaning and Sanitizing Procedure	14
Ice Machine Inspection	20
Exterior Cleaning	20
Cleaning the Condenser	20
General	20
Removal from Service/Winterization	20

**Section 5
Customer Support**

Checklist	21
Safety Limit Feature	22
Commercial Ice Machine Warranty	23
Residential Ice Machine Limited Warranty	24

Section 1

General Information

Safety Notices

As you work on Manitowoc equipment, be sure to pay close attention to the safety notices in this handbook. Disregarding the notices may lead to serious injury and/or damage to the equipment.

Throughout this handbook, you will see the following types of safety notices:

Warning

Text in a Warning box alerts you to a potential personal injury situation. Be sure to read the Warning statement before proceeding, and work carefully.

Caution

Text in a Caution box alerts you to a situation in which you could damage the equipment. Be sure to read the Caution statement before proceeding, and work carefully.

Procedural Notices

As you work on Manitowoc equipment, be sure to read the procedural notices in this handbook. These notices supply helpful information which may assist you as you work.

Throughout this handbook, you will see the following types of procedural notices:

Important

Text in an Important box provides you with information that may help you perform a procedure more efficiently. Disregarding this information will not cause damage or injury, but it may slow you down as you work.

NOTE: Text set off as a Note provides you with simple, but useful, extra information about the procedure you are performing.

Read These Before Proceeding:

Caution

Proper installation, care and maintenance are essential for maximum performance and trouble-free operation of your equipment. Visit our website www.manitowocfsg.com for manual updates, translations, or contact information for service agents in your area.

Important

Routine adjustments and maintenance procedures outlined in this handbook are not covered by the warranty.

Warning

Read this manual thoroughly before operating, installing or performing maintenance on the equipment. Failure to follow instructions in this manual can cause property damage, injury or death.

Warning

Do not use electrical appliances or accessories other than those supplied by Manitowoc for your ice machine model.

Warning


Two or more people or a lifting device are required to lift this appliance.

Warning

This equipment contains high voltage electricity and refrigerant charge. Installation and repairs are to be performed by properly trained technicians aware of the dangers of dealing with high voltage electricity and refrigerant under pressure. The technician must also be certified in proper refrigerant handling and servicing procedures. All lockout and tag out procedures must be followed when working on this equipment.

Warning

Do not damage the refrigeration circuit when installing, maintaining or servicing the unit.

 **Warning**

Do not operate equipment that has been misused, abused, neglected, damaged, or altered/modified from that of original manufactured specifications. This appliance is not intended for use by persons (including children) with reduced physical, sensory or mental capabilities, or lack of experience and knowledge, unless they have been given supervision concerning use of the appliance by a person responsible for their safety. Do not allow children to play with this appliance.

 **Warning**

All covers and access panels must be in place and properly secured, before operating this equipment.

 **Warning**

Do not obstruct machine vents or openings.

 **Warning**


Do not store gasoline or other flammable vapors or liquids in the vicinity of this or any other appliance.

 **Warning**

Do not clean with water jet.

 **Warning**

It is the responsibility of the equipment owner to perform a Personal Protective Equipment Hazard Assessment to ensure adequate protection during maintenance procedures.

 **Warning**

Some 50 hz models may contain up to 150 grams of R290 (propane) refrigerant. R290 (propane) is flammable in concentrations of air between approximately 2.1% and 9.5% by volume (LEL lower explosion limit and UEL upper explosion limit). An ignition source at a temperature higher than 470°C is needed for a combustion to occur. Refer to nameplate to identify the type of refrigerant in your equipment. Only trained and qualified personnel aware of the dangers are allowed to work on the equipment.

 **Warning**

When using electric appliances, basic precautions must always be followed, including the following:

- a. Read all the instructions before using the appliance.
- b. To reduce the risk of injury, close supervision is necessary when an appliance is used near children.
- c. Do not contact moving parts.
- d. Only use attachments recommended or sold by the manufacturer.
- e. Do not use outdoors.
- f. For a cord-connected appliance, the following must be included:
 - Do not unplug by pulling on cord. To unplug, grasp the plug, not the cord.
 - Unplug from outlet when not in use and before servicing or cleaning.
 - Do not operate any appliance with a damaged cord or plug, or after the appliance malfunctions or is dropped or damaged in any manner. Contact the nearest authorized service facility for examination, repair, or electrical or mechanical adjustment.
- g. Follow applicable lock out tag out procedures before working on equipment.
- h. Connect to a properly grounded outlet only.

 **Warning**

Objects placed or dropped in the bin can affect human health and safety. Locate and remove any objects immediately.

Important

The Commonwealth of Massachusetts requires that all water-cooled models must be connected only to a closed loop, cooling tower system.

Model Numbers

This manual covers the following models:

Self-Contained Air-Cooled	Self-Contained Water-Cooled
KR0130A	KR0131W
KD0132A	KD0133W
KY0134A	KY0135W
KD0172A	--
KY0174A	--
KR0210A	KR0211W
KD0212A	KD0213W
KY0214A	KY0215W
KYP0214A	--
KR0270A	KR0271W
KD0272A	KD0273W
KY0274A	KY0275W
KYP0274A	--

⚠ Warning
PERSONAL INJURY POTENTIAL

This appliance is not intended for use by persons (including children) with reduced physical, sensory or mental capabilities, or lack of experience and knowledge, unless they have been given supervision concerning use of the appliance by a person responsible for their safety. Do not allow children to perform cleaning or maintenance without adult supervision.

Accessories

Contact your local distributor for these optional accessories:

BIN CASTER

Replaces standard legs.

ARCTIC PURE WATER FILTER SYSTEM

Engineered specifically for ice machines, Arctic Pure water filters are an efficient, dependable, and affordable method of inhibiting scale formation, filtering sediment, and removing chlorine taste and odor.

CLEANER AND SANITIZER

Manitowoc Ice Machine Cleaner and Sanitizer are available in convenient 16 oz. (473 ml) and 1 gal (3.78 l) bottles. These are the only cleaner and sanitizer approved for use with these ice machines

Cleaner Part Number		Sanitizer Part Number	
16oz	94-0456-3	16oz	94-0565-3
1 Gallon	94-0580-3	1 Gallon	94-0581-3

K130, K170, K210 and K270 model ice machines do not have a water curtain covering the evaporator. The ice damper performs the functions of the water curtain see Section 4 for details.

⚠ Warning

Do not damage the refrigeration circuit when installing, maintaining or servicing the unit.

⚠ Warning

Do not use electrical appliances or accessories other than those supplied by Manitowoc for your ice machine model.

Section 2

Installation Instructions

Location of Ice Machine

The location selected for the ice machine must meet the following criteria. If any of these criteria are not met, select another location.

- The location must be indoors.
- The location must be free of airborne and other contaminants.
- The air temperature must be at least 40°F (4°C), but must not exceed 110°F (43°C).
- The location must not be near heat-generating equipment or in direct sunlight.
- The location must be capable of supporting the weight of the ice machine and a full bin of ice.
- The location must allow enough clearance for water, drain and electrical connections in the **rear of the ice machine**.
- The location must not obstruct airflow through or around the ice machine (condenser airflow is in and out the front). Refer to the chart below for clearance requirements.

	Self-Contained Air-Cooled	Self-Contained Water-Cooled
Top/Sides	5" (127 mm)*	5" (127 mm)*
Back	5" (127 mm)*	5" (127 mm)*

NOTE: The ice machine may be built into a cabinet.

There is no minimum clearance requirement for the top or left and right sides of the ice machine. The listed values are recommended for efficient operation and servicing only.

Caution

The ice machine must be protected if it will be subjected to temperatures below 32°F (0°C). Failure caused by exposure to freezing temperatures is not covered by the warranty. See "Removal from Service/Winterization" Section 4.

Ice Machine Heat of Rejection

Series Ice Machine	Heat of Rejection*	
	Air Conditioning**	Peak
K130	2400	2900
K170	2200	2600
K210	2400	3400
K270	3800	6000

* B.T.U./Hour

** Because the heat of rejection varies during the ice making cycle, the figure shown is an average.

Ice machines, like other refrigeration equipment, reject heat through the condenser. It is helpful to know the amount of heat rejected by the ice machine when sizing air conditioning equipment where self-contained air-cooled ice machines are installed.

Leveling the Ice Machine

1. Screw the leveling legs onto the bottom of the ice machine.
2. Screw the foot of each leg in as far as possible.

Caution

The legs must be screwed in tightly to prevent them from bending.

3. Move the ice machine into its final position.

Warning

Do not obstruct ice machine vents or openings.

4. Level the ice machine to assure that the siphon system functions correctly. Use a level on top of the ice machine. Turn each foot as necessary to level the ice machine from front to back and side to side.

NOTE: An optional 2 ½" caster assembly is available for use in place of the legs on the K130, K170, K210 and K270. Installation instructions are supplied with the casters.

Electrical Service

GENERAL

 **Warning**

All wiring must conform to local, state and national codes.

VOLTAGE


The maximum allowable voltage variation is ± 10% of the rated voltage on the ice machine model/serial number plate at start-up (when the electrical load is highest).

The 115/1/60 ice machines are factory pre-wired with a 8' power cord, and NEMA 5-15P-plug configuration.

The 208-230/1/60 and 230/50/1 ice machines are factory pre-wired with a 8' power cord only, no plug is supplied.

FUSE/CIRCUIT BREAKER

A separate fuse/circuit breaker must be provided for each ice machine. Circuit breakers must be H.A.C.R. rated (does not apply in Canada).

 **Warning**

The ice machine must be grounded in accordance with national and local electrical codes.

TOTAL CIRCUIT AMPACITY

The total circuit ampacity is used to help select the wire size of the electrical supply.

The wire size (or gauge) is also dependent upon location, materials used, length of run, etc., so it must be determined by a qualified electrician.

GROUND FAULT CIRCUIT INTERRUPTER

Ground Fault Circuit Interrupter (GFCI/GFI) protection is a system that shuts down the electric circuit (opens it) when it senses an unexpected loss of power, presumably to ground. Koolaire does not recommend the use of a GFCI/GFI circuit protection with our equipment. If code requires the use of a GFCI/GFI then you must follow the local code. The circuit must be dedicated, sized properly and there must be a panel GFCI/GFI breaker. We do not recommend GFCI/GFI outlets as they are known for more intermittent nuisance trips than panel breakers.

 **Warning**

PERSONAL INJURY POTENTIAL

If the supply cord is damaged, do not operate the equipment until the cord is replaced by a service agent or similarly qualified person.

K130/K170/K210/K270 ICE MACHINE

Ice Machine	Voltage Phase Cycle	Air-Cooled		Water Cooled	
		Maximum Fuse/ Circuit Breaker	Total Amps	Maximum Fuse/ Circuit Breaker	Total Amps
K130	115/1/60	15	7.0	15	6.3
	208-230/1/60	15	3.1	15	2.6
	230/1/50	15	3.0	15	2.5
K170	115/1/60	15	7.2	--	--
	208-230/1/60	15	4.0*	--	--
	230/1/50	15	4.0*	--	--
K210	115/1/60	15	6.5	15	6.1
	208-230/1/60	15	3.6	15	3.1
	230/1/50	15	3.6	15	3.1
KP0210A	230/1/50	15	3.6	--	--
K270	115/1/60	15	10.7	15	9.9
	208-230/1/60	15	5.2	15	4.7
	230/1/50	15	5.2	15	4.7
KP0270A	230/1/50	15	5.2*	--	--

* Indicates preliminary data

Water Service/Drains

WATER SUPPLY

Local water conditions may require treatment of the water to inhibit scale formation, filter sediment, remove chlorine, and improve taste and clarity.

 **Warning**
PERSONAL INJURY POTENTIAL

For ice making, connect to a potable water supply only.

Important

If you are installing a water filter system, refer to the Installation Instructions supplied with the filter system for ice making water inlet connections.

WATER INLET LINES

Follow these guidelines to install water inlet lines:

- Do not connect the ice machine to a hot water supply. Be sure all hot water restrictors installed for other equipment are working. (Check valves on sink faucets, dishwashers, etc.)
- If water pressure exceeds the maximum (80 psig-551.5 kPA) recommended pressure, obtain a water pressure regulator from your local distributor.
- Install a water shut-off valve and union for both the ice making and condenser water lines.
- Insulate water inlet lines to prevent condensation.

DRAIN CONNECTIONS

Follow these guidelines when installing drain lines to prevent drain water from flowing back into the ice machine and storage bin:

- Drain lines must have a 1.5 inch drop per 5 feet of run (2.5 cm per meter), and must not create traps.
- The floor drain must be large enough to accommodate drainage from all drains.
- Run separate bin and water-cooled condenser drain lines. Insulate them to prevent condensation.
- Vent the bin drain to the atmosphere. Do not vent the condenser drain on water-cooled models.

COOLING TOWER APPLICATIONS

(Water-Cooled Models)

A water cooling tower installation does not require modification of the ice machine. The water regulator valve for the condenser continues to control the refrigeration discharge pressure.

It is necessary to know the amount of heat rejection and the pressure drop through the condenser and water valves (inlet and outlet) when using a cooling tower on an ice machine.

- Water entering the condenser must not exceed 90°F (32°C).
- Water flow through the condenser must not exceed 5 gallons (19 liters) per minute.
- Allow for a pressure drop of 7 psi (48 kPA) between the condenser water inlet and the outlet of the ice machine.
- Water exiting the condenser must not exceed 110°F (43°C).

Water Supply and Drain Line Sizing/Connections


Location	Water Temperature	Water Pressure	Ice Machine Fitting	Tubing Size Up to Ice Machine Fitting
Ice Making Water Inlet	40°F (4°C) Min. 90°F (32°C) Max.	20 psi (137.9 kPA) Min. 80 psi (551.5 kPA) Max.	3/8" Female Pipe Thread	3/8" (9.5 mm) minimum inside diameter
Condenser Water Inlet	40°F (4°C) Min. 90°F (32°C) Max.	20 psi (137.9 kPA) Min. 150 psi (1034.2 kPA) Max.	3/8" Female Pipe Thread <i>K270 Only</i> 1/2" Female Pipe Thread	3/8" (9.5 mm) minimum inside diameter <i>K270 Only</i> 1/2" (12.7 mm) minimum inside diameter
Condenser Water Drain	---	---	1/2" Female Pipe Thread	1/2" (12.7 mm) minimum inside diameter
Bin Drain	---	---	1/2" Female Pipe Thread	1/2" (12.7 mm) minimum inside diameter

Before Starting the Ice Machine

All ice machines are factory-operated and adjusted before shipment. Normally, new installations do not require any adjustment.

To ensure proper operation, follow the Operational Checks in Section 3 of this manual. Starting the ice machine and completing the Operational Checks are the responsibilities of the owner/operator.

Adjustments and maintenance procedures outlined in this manual are not covered by the warranty.

 **Warning**

PERSONAL INJURY POTENTIAL

Do not operate equipment that has been misused, abused, neglected, damaged, or altered/modified from that of original manufactured specifications.

Installation Checklist

- | | |
|---|---|
| <p><input type="checkbox"/> Is the ice machine level?</p> <p><input type="checkbox"/> Has all of the internal packing been removed?</p> <p><input type="checkbox"/> Have all of the electrical and water connections been made?</p> <p><input type="checkbox"/> Has the supply voltage been tested and checked against the rating on the nameplate?</p> <p><input type="checkbox"/> Is there proper clearance around the ice machine for air circulation?</p> <p><input type="checkbox"/> Is the ice machine grounded and polarity correct?</p> <p><input type="checkbox"/> Has the ice machine been installed where ambient temperatures will remain in the range of 40° – 110°F (4° – 43°C)?</p> <p><input type="checkbox"/> Has the ice machine been installed where the incoming water temperature will remain in the range of 40° – 90°F (4° – 32°C)?</p> <p><input type="checkbox"/> Is there a separate drain for the water-cooled condenser?</p> <p><input type="checkbox"/> Is there a separate drain for the bin?</p> | <p><input type="checkbox"/> Are the ice machine and bin drains vented?</p> <p><input type="checkbox"/> Are all electrical leads free from contact with refrigeration lines and moving equipment?</p> <p><input type="checkbox"/> Has the owner/operator been instructed regarding maintenance and the use of Cleaner and Sanitizer?</p> <p><input type="checkbox"/> Has the owner/operator completed the warranty registration card?</p> <p><input type="checkbox"/> Has the ice machine and bin been sanitized?</p> <p><input type="checkbox"/> Is the toggle switch set to ice? (The toggle switch is located directly behind the front panel).</p> <p><input type="checkbox"/> Is the ice thickness control set correctly? (Refer to Operational Checks to check/set the correct ice bridge thickness).</p> <p><input type="checkbox"/> Is the float valve in the OPEN position?</p> |
|---|---|

Section 3 Operation

Ice Making Sequence of Operation

INITIAL START-UP OR START-UP AFTER AUTOMATIC SHUT-OFF

1. Pressure Equalization

Before the compressor starts the hot gas valve is energized for 15 seconds to equalize pressures during the initial refrigeration system start-up.

2. Refrigeration System Start-Up

The compressor starts after the 15-second pressure equalization, and remains on throughout the entire Freeze and Harvest Sequences. The hot gas valve remains on for 5 seconds during initial compressor start-up and then shuts off.

At the same time the compressor starts, the condenser fan motor (air-cooled models) is supplied with power throughout the entire Freeze and Harvest Sequences. The fan motor is wired through a fan cycle pressure control, therefore it may cycle on and off. (The compressor and condenser fan motor are wired through the relay. As a result, any time the relay coil is energized, the compressor and fan motor are supplied with power.)

FREEZE SEQUENCE

3. Prechill

The compressor energizes to prechill the evaporator prior to water flow.

4. Freeze

The water pump starts after the Prechill. An even flow of water is directed across the evaporator and into each cube cell, where it freezes.

When sufficient ice has formed, the water flow (not the ice) contacts the ice thickness probe. After approximately 7 seconds of continual water contact, the Harvest Sequence is initiated. The ice machine cannot initiate a Harvest Sequence until a 6-minute freeze time has been surpassed.

HARVEST SEQUENCE

5. Harvest

The water pump de-energizes stopping flow over the evaporator. The rising level of water in the sump trough diverts water out of the overflow tube, purging excess minerals from the sump trough. The hot gas valve also opens to divert hot refrigerant gas into the evaporator.

The refrigerant gas warms the evaporator causing the cubes to slide, as a sheet, off the evaporator and into the storage bin. The sliding sheet of cubes contacts the ice damper, opening the bin switch.

The momentary opening and re-closing of the bin switch terminates the Harvest Sequence and returns the ice machine to the Freeze Sequence (steps 3 - 4).

AUTOMATIC SHUT-OFF

6. Automatic Shut-Off

When the storage bin is full at the end of a Harvest Sequence, the sheet of cubes fails to clear the ice damper and will hold it down. After the ice damper is held open for 7 seconds, the ice machine shuts off. The ice machine remains off for 3 minutes before it can automatically restart.

The ice machine remains off until enough ice has been removed from the storage bin to allow the ice to fall clear of the damper. As the ice damper swings back to the operating position, the bin switch re-closes and the ice machine restarts (steps 1 - 2), provided the 3-minute delay period is complete.

Energized Parts Chart

	CONTROL BOARD RELAYS			RELAY		LENGTH of "ON" TIME
	1 WATER PUMP	2 HOT GAS VALVE	3 RELAY COIL	3A COMPRESSOR	3B CONDENSER * FAN MOTOR	
INITIAL START-UP/ START UP AFTER AUTO SHUT-OFF: 1. Pressure Equalization	OFF	ON	OFF	OFF	OFF	15 Seconds
2. Refrigeration System Start-up	OFF	ON	ON	ON	ON	5 Seconds
FREEZE SEQUENCE: 3. Pre-Chill	OFF	OFF	ON	ON	ON	30 Seconds
4. Freeze	ON	OFF	ON	ON	ON	Until 7 sec. water contact with ice thickness probe
HARVEST SEQUENCE: 5. Harvest	OFF	ON	ON	ON	ON	Bin switch activation
AUTOMATIC SHUT-OFF: 6. Auto Shut-Off	OFF	OFF	OFF	OFF	OFF	Until bin switch re-closes

* Condenser Fan Motor: The fan motor is wired through a fan cycle pressure control, therefore, it may cycle on and off.

Operational Checks

GENERAL

Your Koolaire ice machine was factory-operated and adjusted before shipment. Normally, a newly installed ice machine does not require any adjustment.

To ensure proper operation, always follow these Operational Checks when starting the ice machine:

- for the first time
- after a prolonged out of service period
- after cleaning and sanitizing

Routine adjustments and maintenance procedures outlined in this manual are not covered by the warranty.

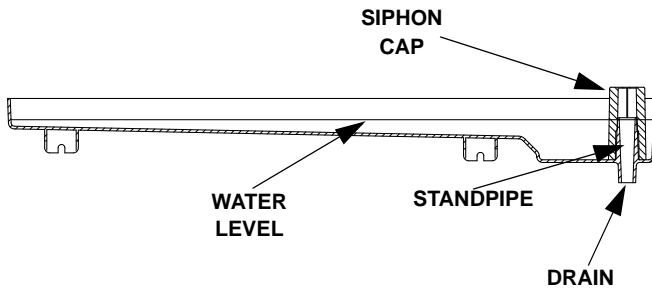
SIPHON SYSTEM

To reduce mineral build-up and cleaning frequency, the water in the sump trough must be purged during each harvest cycle.

When the water pump de-energizes the level in the water trough rises above the standpipe starting a siphon action. The siphon action stops when the water level in the sump trough drops. When the siphon action stops, the float valve refills the water trough to the correct level.

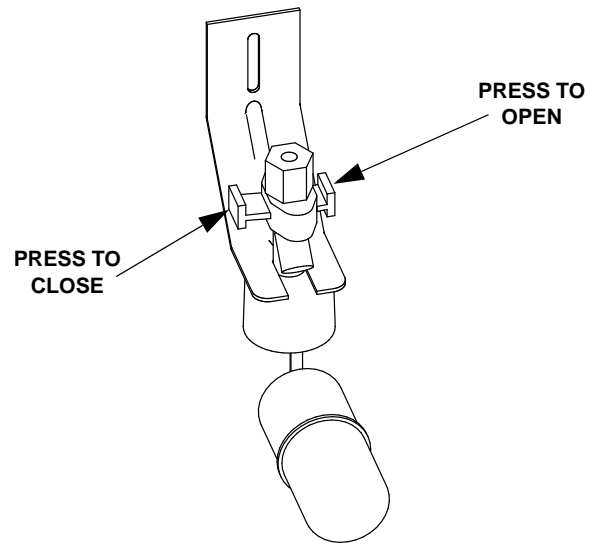
Siphon System Check

Follow steps 1 through 6 under water level check.



WATER FLOAT VALVE CHECK

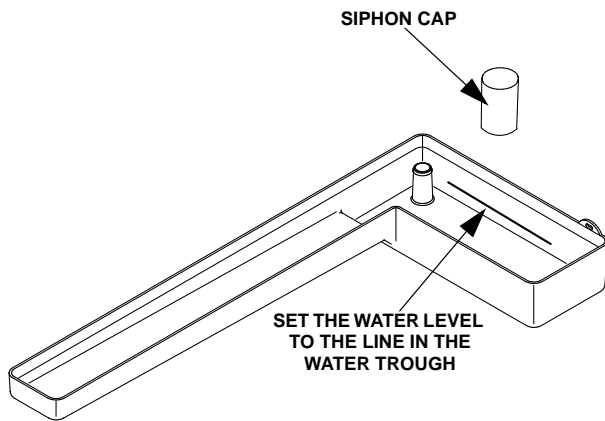
Before water will flow into the water trough the float valve shut-off must be in the OPEN position.



Water Level

WATER LEVEL CHECK

Check the water level while the ice machine is in the ice mode and the water pump is running. The correct water level is 1/4" (6.3mm) to 3/8" (9.5mm) below the top of the standpipe a line in the water trough indicates the correct level.



Water Level

The float valve is factory-set for the proper water level. If adjustments are necessary:

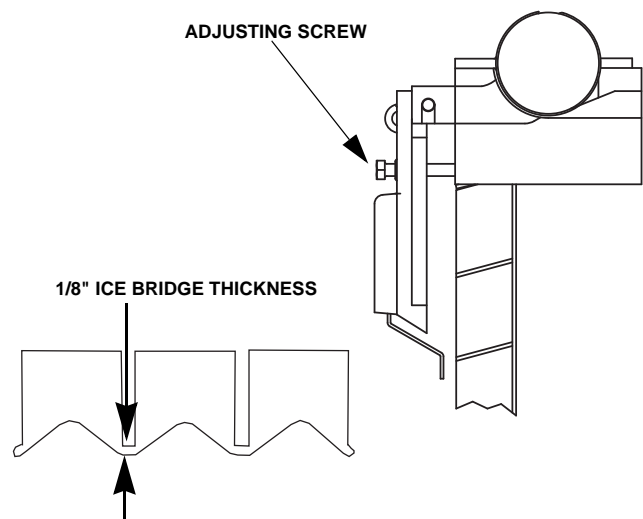
1. Verify the ice machine is level (see page 2-4).
2. Remove the siphon cap from the standpipe.
3. Place the main ON/OFF/WASH toggle switch to the ON position, and wait until the float valve stops adding water.
4. Adjust the water level to (1/4" to 3/8" (6.3 to 9.5 mm) below the standpipe) the line in the water trough:
5. Loosen the two screws on the float valve bracket.
6. Raise or lower the float valve assembly as necessary, then tighten the screws.
7. Move the main ON/OFF/ WASH toggle switch to the OFF position. The water level in the trough will rise above the standpipe and run down the drain.
8. Replace the siphon cap on the standpipe, and verify water level and siphon action by repeating steps 3 through 5.

ICE BRIDGE THICKNESS CHECK

The ice thickness probe is factory-set to maintain the ice bridge thickness at 1/8" (3.2 mm).

1. Inspect the bridge connecting the cubes. It should be about 1/8" (3.2 mm) thick.
2. If adjustment is necessary, turn the ice thickness probe adjustment screw clockwise to increase bridge thickness, or counterclockwise to decrease bridge thickness.

NOTE: Turning the adjustment 1/3 of a turn will change the ice thickness about 1/16" (1.5 mm).



Ice Thickness Check

Make sure the ice thickness probe wire and the bracket do not restrict movement of the probe.


Section 4 Maintenance

Interior Cleaning and Sanitizing

GENERAL


Clean and sanitize the ice machine every six months for efficient operation. If the ice machine requires more frequent cleaning and sanitizing, consult a qualified service company to test the water quality and recommend appropriate water treatment.

The ice machine must be taken apart for cleaning and sanitizing.


 **Caution**

Use only Koolaire approved Ice Machine Cleaner (part number 94-0546-3) and Sanitizer (part number 94-0565-3). It is a violation of Federal law to use these solutions in a manner inconsistent with their labeling. Read and understand all labels printed on bottles before use.

CLEANING AND SANITIZING PROCEDURE

 **Caution**


Do not mix Ice Machine Cleaner and Sanitizer solutions together. It is a violation of Federal law to use these solutions in a manner inconsistent with their labeling.

 **Warning**

Wear rubber gloves and safety goggles (and/or face shield) when handling Ice Machine Cleaner or Sanitizer.

Ice machine cleaner is used to remove lime scale and mineral deposits. Ice machine sanitizer disinfects and removes algae and slime.

Step 1 Set the toggle switch to the OFF position after ice falls from the evaporator at the end of a Harvest cycle. Or, set the switch to the OFF position and allow the ice to melt off the evaporator.

 **Caution**

Never use anything to force ice from the evaporator. Damage may result.


Step 2 Remove all ice from the bin.

Step 3 To start a cleaning cycle, move the toggle switch to the WASH position.

Step 4 Add the proper amount of Ice Machine Cleaner to the water trough.

Model	Amount of Cleaner
K130	1 ounce (30 ml)
K170	2 ounces (60 ml)
K210	2 ounces (60 ml)
K270	2 ounces (60 ml)

Step 5 Wait until the clean cycle is complete (approximately 22 minutes) then place the toggle switch in the OFF position, disconnect power and water supplies to the ice machine.

 **Warning**

Disconnect electric power to the ice machine at the electric switch box before proceeding.

Step 6 Remove parts for cleaning.

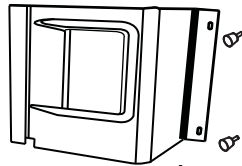
A. Remove Two Thumbscrews and Water Pump Cover (When Used).

B. Remove the Vinyl Hose Connecting the Water Pump and Water Distribution Tube

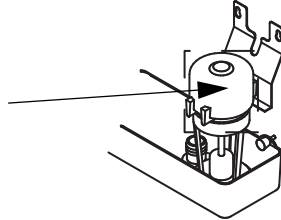
C. Remove Water Pump

- Disconnect the water pump power cord
- Loosen the screws securing the pump-mounting bracket to the bulkhead
- Lift the pump and bracket assembly off the mounting screws..

When Used - REMOVE THUMBSCREWS AND WATER PUMP COVER



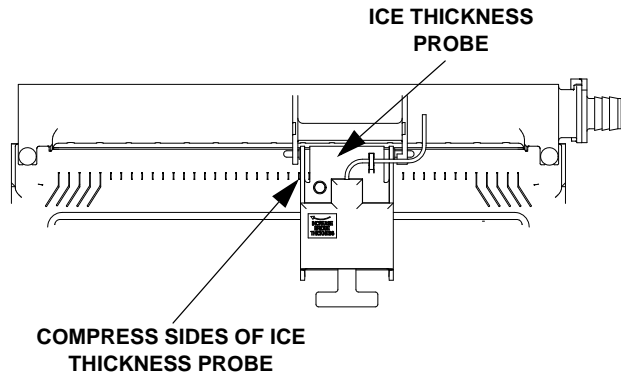
DO NOT SOAK WATER PUMP MOTOR IN CLEANER OR SANITIZER SOLUTIONS



Water Pump Removal

D. Remove the Ice Thickness Probe

- Compress the side of the ice thickness probe near the top hinge pin and remove it from the bracket.



Ice Thickness Probe Removal

NOTE: At this point, the ice thickness probe can easily be cleaned. If complete removal is desired follow the ice thickness probe wire to the bulkhead grommet (exit point) in the back wall. Pop the bulkhead grommet out of the back wall by inserting fingernails or a flat object between the back wall and the grommet and prying forward. Pull the bulkhead grommet and wire forward until the connector is accessible, then disconnect the wire lead from the connector.

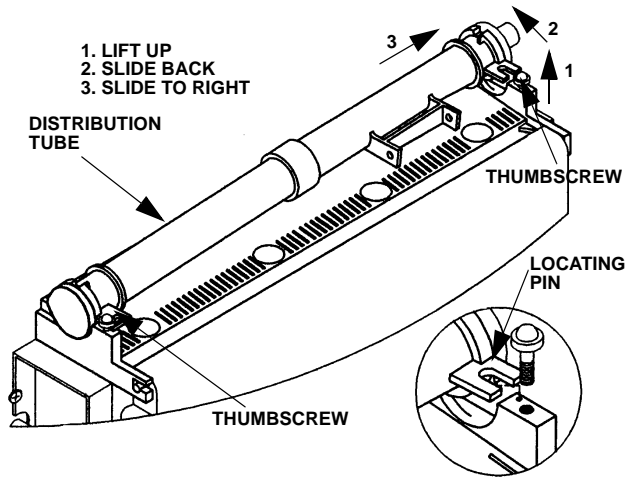
Ice Thickness Probe Cleaning

- Mix a solution of ice machine cleaner and water (2 ounces of cleaner to 16 ounces of water) in a container.
- Soak the ice thickness probe a minimum of 10 minutes.

Clean all ice thickness probe surfaces and verify the ice thickness probe cavity is clean. Rinse thoroughly with clean water, then dry completely. Incomplete rinsing and drying of the ice thickness probe can cause premature harvest.

E. Remove the Water Distribution Tube

K170/K210/K270 Models



K170/K210/K270 Water Distribution Tube Removal

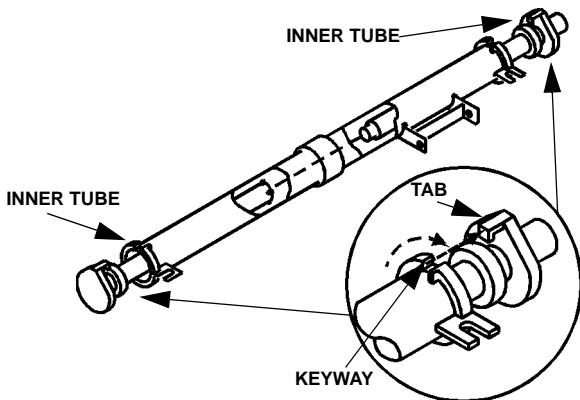
- Loosen the two thumbscrews, which secure the distribution tube.
- Lift the right side of the distribution tube up off the locating pin, then slide it back and to the right.

⚠ Caution

Do not force this removal. Be sure the locating pin is clear of the hole before sliding the distribution tube out.

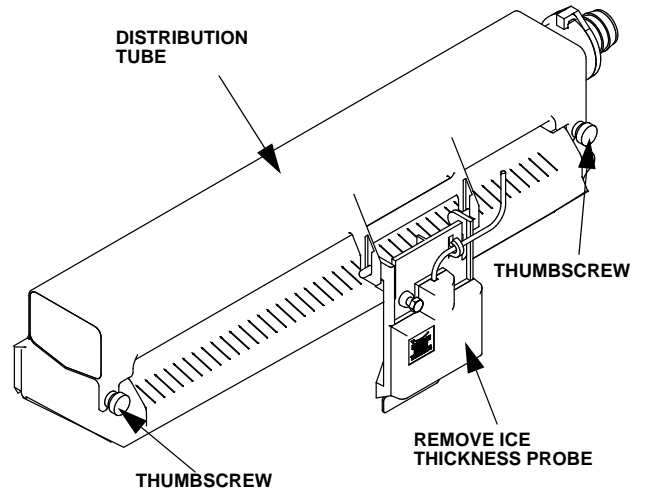
Disassembly

- Twist both of the inner tube ends until the tabs line up with the keyways.
- Pull the inner tube ends outward.



K170/K210/K270 Water Distribution Tube Disassembly

K130 Models

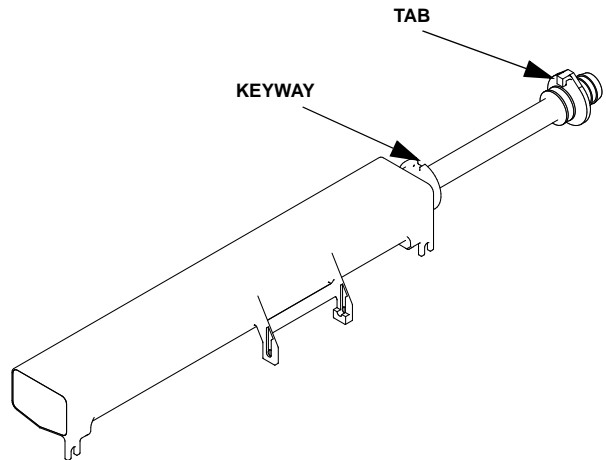


K130 Water Distribution Tube Removal

- Loosen the two thumbscrews, which secure the distribution tube.
- Lift the distribution tube up off the thumbscrews.

Disassembly

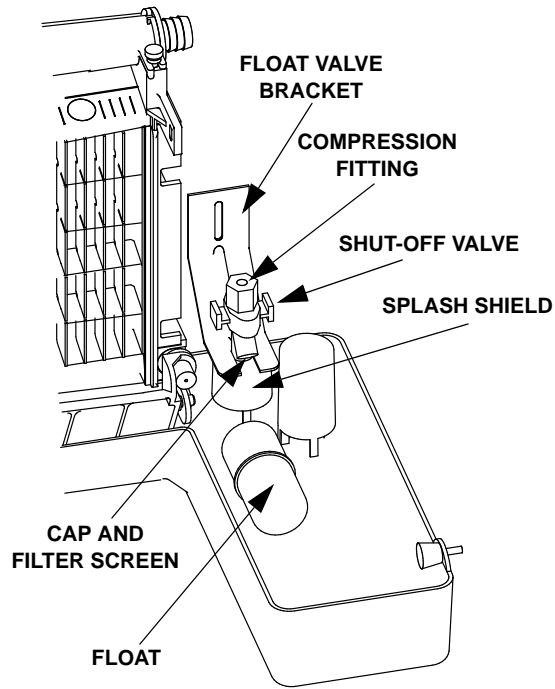
- Twist the barbed end until the tab lines up with the keyway.
- Pull the inner tube end outward.



K130 Water Distribution Tube Disassembly

F. Remove the Float Valve

- Turn the splash shield counterclockwise one or two turns.

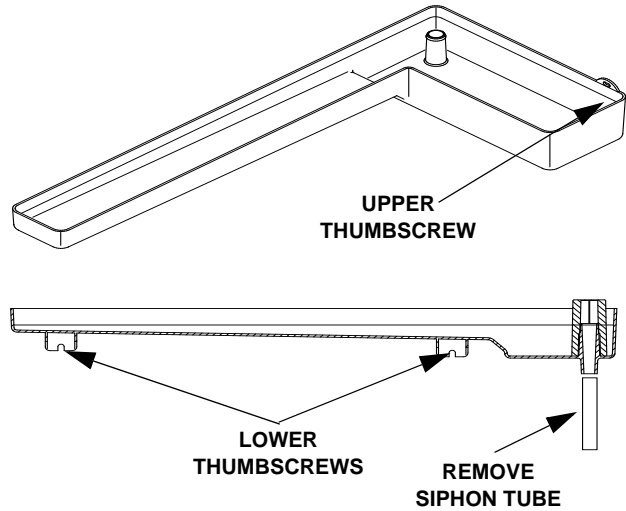


Float Valve Removal

- Pull the float valve forward and off the mounting bracket.
- Disconnect the water inlet tube from the float valve at the compression fitting.
- Remove the cap and filter screen for cleaning.

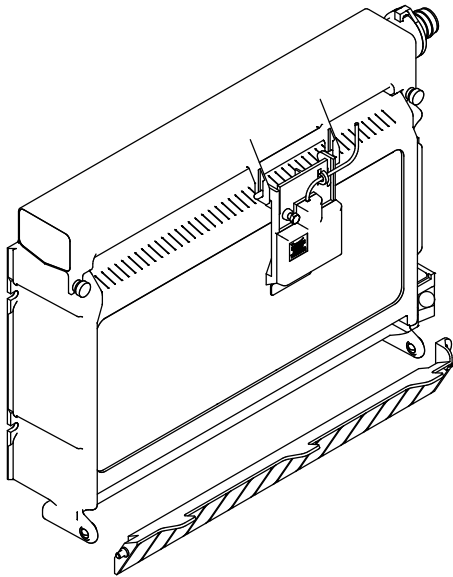
G. Remove the Water Trough

- Apply downward pressure on the siphon tube and remove from the bottom of the water trough.
- Remove the upper thumbscrew.
- While supporting the water trough remove the two thumbscrews from beneath the water trough.
- Remove the water trough from the bin area.



H. Remove the ice damper.**K130**

- Grasp left side of ice damper and apply pressure against the right-hand ice damper mounting bracket.
- Pull forward on the ice damper until the left-hand mounting pin disengages.

**Installation**

- Grasp the right side of ice damper and place left hand pin in the mounting bracket.
- While applying pressure against the left-hand mounting bracket push the damper until the right-hand mounting pin engages.

K170/K210/K270

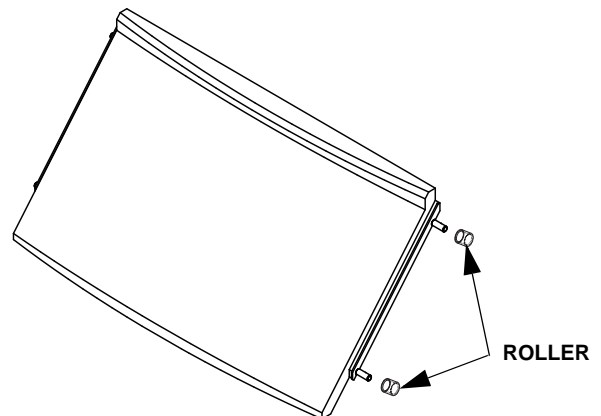
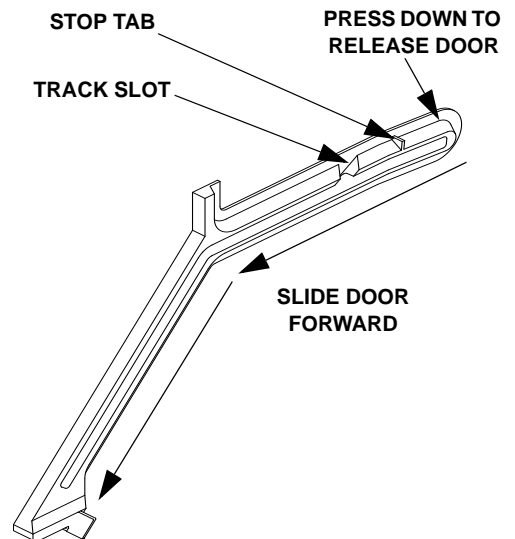
- Grasp ice damper and apply pressure toward the left hand mounting bracket.
- Apply pressure to the right hand mounting bracket with thumb.
- Pull ice damper forward when the right hand ice damper pin disengages.

Installation

- Place ice damper pin in left hand mounting bracket and apply pressure toward the left hand mounting bracket.
- Apply pressure to the right hand mounting bracket with thumb.
- Push ice damper toward evaporator until right hand damper pin engages.

I. Remove the Bin Door

- Grasp the rear of the bin door and pull bin door forward approximately 5".
- Slide bin door to the rear while applying upward pressure (The rear door pins will ride up into the track slot and slide backward to the stop tab).
- While applying pressure against the bin door pull down on the rear of each bin door track until the door pins clear the stop tabs.
- Slide the rear door pins off the end and then below the door track. Slide bin door forward allowing the back of the door to lower into the bin. Continue forward with the bin door until the front pins bottom out in the track.
- Lift right side of door until the front pins clear the track, then remove door from bin.
- Remove rollers (4) from all door pins.



Step 7 Mix a solution of cleaner and warm water. Depending on the amount of mineral buildup, a larger quantity of solution may be required. Use the ratio in the table below to mix enough solution to thoroughly clean all parts.

Solution Type	Water	Mixed with
Cleaner	1 gal. (4 l)	16 oz (500 ml) cleaner

Step 8 Use ½ of the cleaner/water solution to clean all components. The cleaner solution will foam when it contacts lime scale and mineral deposits; once the foaming stops use a soft bristle brush, sponge or cloth (not a wire brush) to carefully clean the parts. Soak the parts for 5 minutes (15 – 20 minutes for heavily scaled parts). Rinse all components with clean water.

Step 9 While components are soaking, use ½ of the cleaner/water solution to clean all foodzone surfaces of the ice machine and bin. Use a nylon brush or cloth to thoroughly clean the following ice machine areas:

- Evaporator plastic parts – including top, bottom and sides
- Bin bottom, sides and top

Rinse all areas thoroughly with clean water.

Step 10 Mix a solution of sanitizer and warm water.

Solution Type	Water	Mixed With
Sanitizer	6 gal. (23 l)	4 oz (120 ml) sanitizer

Step 11 Use 1/2 of the sanitizer/water solution to sanitize all removed components. Use a cloth or sponge to liberally apply the solution to all surfaces of the removed parts or soak the removed parts in the sanitizer/water solution. Do not rinse parts after sanitizing.

Step 12 Use 1/2 of the sanitizer/water solution to sanitize all foodzone surfaces of the ice machine and bin. Use a cloth or sponge to liberally apply the solution. When sanitizing, pay particular attention to the following areas:

- Evaporator plastic parts - including top, bottom and sides
- Bin bottom, sides and top

Do not rinse the sanitized areas.

Step 13 Replace all removed components.

Step 14 Reapply power and water to the ice machine and place the toggle switch in the WASH position.

Step 15 Add the proper amount of Ice Machine Sanitizer to the water trough.

Model	Amount of Sanitizer
K130	1.6 ounces (48 ml)
K170	2.2 ounces (66 ml)
K210	2.2 ounces (66 ml)
K270	1.9 ounces (57 ml)

Step 16 Wait until the sanitize cycle is complete (approximately 22 minutes) then place the toggle switch in the OFF position, disconnect power and water supplies to the ice machine.

 Warning Disconnect electric power to the ice machine at the electric switch box before proceeding.
--

Step 17 Repeat step 6 to remove parts for hand sanitizing.

Step 18 Mix a solution of sanitizer and warm water.

Solution Type	Water	Mixed With
Sanitizer	6 gal. (23 l)	4 oz (120 ml) sanitizer

Step 19 Use 1/2 of the sanitizer/water solution to sanitize all removed components. Use a cloth or sponge to liberally apply the solution to all surfaces of the removed parts or soak the removed parts in the sanitizer/water solution. Do not rinse parts after sanitizing.

Step 20 Use 1/2 of the sanitizer/water solution to sanitize all foodzone surfaces of the ice machine and bin. Use a cloth or sponge to liberally apply the solution. When sanitizing, pay particular attention to the following areas:

- Evaporator plastic parts - including top, bottom and sides
- Bin bottom, sides and top

Do not rinse the sanitized areas.

Step 21 Replace all removed components.

Step 22 Reapply power and water to the ice machine and place the toggle switch in the ICE position.

Ice Machine Inspection

Check all water fittings and lines for leaks. Also, make sure the refrigeration tubing is not rubbing or vibrating against other tubing, panels, etc.

Do not put anything (boxes, etc.) in front of the ice machine. There must be adequate airflow through and around the ice machine to maximize ice production and ensure long component life.

Exterior Cleaning

Clean the area around the ice machine as often as necessary to maintain cleanliness and efficient operation.

Sponge any dust and dirt off the outside of the ice machine with mild soap and water. Wipe dry with a clean, soft cloth.

A commercial grade stainless steel cleaner/polish can be used as necessary.

Cleaning the Condenser

GENERAL

Warning

Disconnect electric power to the ice machine head section and the remote condensing unit at the electric service switches before cleaning the condenser.

A dirty condenser restricts airflow, resulting in excessively high operating temperatures. This reduces ice production and shortens component life.

- Clean the condenser at least every six months.

Warning

The condenser fins are sharp. Use care when cleaning them.

- Shine a flashlight through the condenser to check for dirt between the fins.
- Blow compressed air or rinse with water from the inside out (opposite direction of airflow).
- If dirt still remains call a service agent to clean the condenser.

Removal from Service/Winterization

1. Clean and sanitize the ice machine.
2. Move the ICE/OFF/CLEAN switch to OFF.
3. Turn off the water supply, disconnect and drain the incoming ice-making water line at the rear of the ice machine and drain the water trough.
4. Energize the ice machine, wait one minute for the water inlet valve to open and blow compressed air in both the incoming water and the drain openings in the rear of the ice machine to remove all water.
5. Move ICE/OFF/CLEAN switch to OFF and disconnect the electric power at the circuit breaker or the electric service switch.
6. Fill spray bottle with sanitizer and spray all interior food zone surfaces. Do not rinse and allow to air dry.
7. Replace all panels.

Section 5

Customer Support

Checklist

If a problem arises during operation of your ice machine, follow the checklist below before calling service. Routine adjustments and maintenance procedures are not covered by the warranty.

Problem	Possible Cause	To Correct
Ice machine does not operate.	No electrical power to the ice machine.	Replace the fuse/reset the breaker/turn on the main switch/plug power cord into receptacle.
	ON/OFF/WASH toggle switch set improperly.	Move the toggle switch to the ON position.
	Damper in open position (down).	Damper must be in upright position and capable of swinging freely.
Ice machine stops, and can be restarted by moving the toggle switch to OFF and back to ON.	Safety limit feature stopping the ice machine.	Refer to "Safety Limit Feature" on the next page.
Ice machine does not release ice or is slow to harvest.	Ice machine is dirty.	Clean and sanitize the ice machine.
	Ice machine is not level.	Level the ice machine.
	Low air temperature around ice machine (air-cooled models).	Air temperature must be at least 40°F (4°C).
	Water regulating valve leaks in harvest mode (water-cooled models).	Replace water regulating valve.
Ice machine does not cycle into harvest mode.	The six-minute freeze time lock-in has not expired yet.	Wait for freeze lock-in to expire.
	Ice thickness probe is dirty.	Clean and sanitize the ice machine.
	Ice thickness probe wire is disconnected.	Connect the wire.
	Ice thickness probe is out of adjustment.	Adjust the ice thickness probe.
Ice quality is poor (soft or not clear).	Uneven ice fill (thin at top of evaporator).	See "Shallow or Incomplete Cubes" on the next page.
	Poor incoming water quality.	Contact a qualified service company to test the quality of the incoming water and make appropriate filter recommendations.
	Water filtration is poor.	Replace the filter.
	Ice machine is dirty.	Clean and sanitize the ice machine.
	Water siphon is not working.	Check the water siphon system.
Water softener is working improperly (if applicable).	Repair the water softener.	

Continued on next page...

Problem	Possible Cause	To Correct
Ice machine produces shallow or incomplete cubes, or the ice fill pattern on the evaporator is incomplete.	Ice thickness probe is out of adjustment.	Adjust the ice thickness probe.
	Water trough level is too high or too low.	Check the water level.
	Water float valve filter screen is dirty.	Remove and clean the filter screen.
	Water filtration is poor.	Replace the filter.
	Hot incoming water.	Connect the ice machine to a cold water supply.
	Water float valve is not working.	Remove the water float valve and clean it.
	Incorrect incoming water pressure.	Water pressure must be 20-80 psi (137.9 - 551.5 kPA).
	Ice machine is not level.	Level the ice machine.
Low ice capacity.	Water float valve filter screen is dirty.	Remove and clean the filter screen.
	Incoming water supply is shut off.	Open the water service valve.
	Water float valve stuck open or leaking.	Remove the water float valve and clean it.
	The condenser is dirty.	Clean the condenser.
	High air temperature around ice machine (air-cooled models).	Air temperature must not exceed 110°F (43°C).
	Inadequate clearance around the ice machine.	Provide adequate clearance.
	Objects stacked around ice machine, blocking airflow to condenser (air-cooled models).	Remove items blocking airflow.

Safety Limit Feature

In addition to the standard safety controls, such as the high pressure cutout, your Koolaire ice machine features built-in safety limits which will stop the ice machine if conditions arise which could cause a major component failure.

Before calling for service, re-start the ice machine using the following procedure:

1. Move the ON/OFF/WASH switch to OFF and then back to ON.
 - A. If the safety limit feature has stopped the ice machine, it will restart after a short delay. Proceed to step 2.
 - B. If the ice machine does not restart, see "Ice machine does not operate" on the previous page.
2. Allow the ice machine to run to determine if the condition is recurring.
 - A. If the ice machine stops again, the condition has recurred. Call for service.
 - B. If the ice machine continues to run, the condition has corrected itself. Allow the ice machine to continue running.

Commercial Ice Machine Warranty

The Koolaire brand warranty is administered through Manitowoc Ice (hereinafter referred to as the "COMPANY") warrants for a period of thirty six (36) months from the installation date (except as limited below) that new ice machines manufactured by the COMPANY shall be free of defects in material or workmanship under normal and proper use and maintenance as specified by the COMPANY and upon proper installation and start-up in accordance with the instruction manual supplied with the ice machine.

The COMPANY's warranty hereunder with respect to the compressor shall apply for an additional twenty-four months, excluding all labor charges, and with respect to the evaporator for an additional twenty-four months, including labor charges.

The obligation of the COMPANY under this warranty is limited to the repair or replacement of parts, components, or assemblies that in the opinion of the COMPANY are defective. This warranty is further limited to the cost of parts, components or assemblies and standard straight time labor charges at the servicing location.

Time and hourly rate schedules, as published from time to time by the COMPANY, apply to all service procedures. Additional expenses including without limitation, travel time, overtime premium, material cost, accessing or removal of the ice machine, or shipping are the responsibility of the owner, along with all maintenance, adjustments, cleaning, and ice purchases. Labor covered under this warranty must be performed by a COMPANY Contracted Service Representative or a refrigeration service agency as qualified and authorized by the COMPANY's local Distributor. The COMPANY's liability under this warranty shall in no event be greater than the actual purchase price paid by customer for the ice machine.

The foregoing warranty shall not apply to (1) any part or assembly that has been altered, modified, or changed; (2) any part or assembly that has been subjected to misuse, abuse, neglect, or accidents; (3) any ice machine that has been installed and/or maintained inconsistent with the technical instructions provided by the COMPANY; or (4) any ice machine initially installed more than five years from the serial number production date. This warranty shall not apply if the Ice Machine's refrigeration system is modified with a condenser, heat reclaim device, or parts and assemblies other than those manufactured by the COMPANY, unless the COMPANY approves these modifications for specific locations in writing.

THIS WARRANTY IS IN LIEU OF ALL OTHER WARRANTIES OR GUARANTEES OF ANY KIND, EXPRESSED OR IMPLIED, INCLUDING ANY IMPLIED WARRANTY OF MERCHANTABILITY OR FITNESS FOR A PARTICULAR PURPOSE. In no event shall the COMPANY be liable for any special, indirect, incidental or consequential damages. Upon the expiration of the warranty period, the Company's liability under this warranty shall terminate. The foregoing warranty shall constitute the sole liability of the COMPANY and the exclusive remedy of the customer or user.

To secure prompt and continuing warranty service, the warranty registration card must be completed and sent to the COMPANY within five (5) days from the installation date.

Complete the following and retain for your record:

Distributor/Dealer _____

Model Number Serial Number _____

Installation Date _____

Manitowoc Foodservice-Ice Machine Division

2110 South 26th Street, P.O. Box 1720

Manitowoc, WI 54221-1720

Telephone: 920-682-0161

Fax: 920-683-7585 Website: www.kool-aire.com

Residential Ice Machine Limited Warranty

WHAT DOES THIS LIMITED WARRANTY COVER?

Subject to the exclusions and limitations below, Manitowoc Foodservice (“Manitowoc”) warrants to the original consumer that any new ice machine manufactured by Manitowoc (the “Product”) shall be free of defects in material or workmanship for the warranty period outlined below under normal use and maintenance, and upon proper installation and start-up in accordance with the instruction manual supplied with the Product.

HOW LONG DOES THIS LIMITED WARRANTY LAST?

<u>Product Covered</u>	<u>Warranty Period</u>
Ice Machine	Twelve (12) months from the sale date

WHO IS COVERED BY THIS LIMITED WARRANTY?

This limited warranty only applies to the original consumer of the Product and is not transferable.

WHAT ARE MANITOWOC ICE’S OBLIGATIONS UNDER THIS LIMITED WARRANTY?

If a defect arises and Manitowoc receives a valid warranty claim prior to the expiration of the warranty period, Manitowoc shall, at its option: (1) repair the Product at Manitowoc’s cost, including standard straight time labor charges, (2) replace the Product with one that is new or at least as functionally equivalent as the original, or (3) refund the purchase price for the Product. Replacement parts are warranted for 90 days or the balance of the original warranty period, whichever is longer. The foregoing constitutes Manitowoc’s sole obligation and the consumer’s exclusive remedy for any breach of this limited warranty. Manitowoc’s liability under this limited warranty is limited to the purchase price of Product. Additional expenses including, without limitation, service travel time, overtime or premium labor charges, accessing or removing the Product, or shipping are the responsibility of the consumer.

HOW TO OBTAIN WARRANTY SERVICE

To obtain warranty service or information regarding your Koolaire product, please contact:

MANITOWOC ICE
2110 So. 26th St.
P.O. Box 1720,
Manitowoc, WI 54221-1720
Telephone: 920-682-0161 Fax: 920-683-7585
www.kool-aire.com

WHAT IS NOT COVERED?

This limited warranty does not cover, and you are solely responsible for the costs of: (1) periodic or routine maintenance, (2) repair or replacement of the Product or parts due to normal wear and tear, (3) defects or damage to the Product or parts resulting from misuse, abuse, neglect, or accidents, (4) defects or damage to the Product or parts resulting from improper or unauthorized alterations, modifications, or changes; and (5) defects or damage to any Product that has not been installed and/or maintained in accordance with the instruction manual or technical instructions provided by Manitowoc. To the extent that warranty exclusions are not permitted under some state laws, these exclusions may not apply to you.

EXCEPT AS STATED IN THE FOLLOWING SENTENCE, THIS LIMITED WARRANTY IS THE SOLE AND EXCLUSIVE WARRANTY OF MANITOWOC WITH REGARD TO THE PRODUCT. ALL IMPLIED WARRANTIES ARE STRICTLY LIMITED TO THE DURATION OF THE LIMITED WARRANTY APPLICABLE TO THE PRODUCTS AS STATED ABOVE, INCLUDING BUT NOT LIMITED TO, ANY WARRANTY OF MERCHANTABILITY OR OF FITNESS FOR A PARTICULAR PURPOSE.

Some states do not allow limitations on how long an implied warranty lasts, so the above limitation may not apply to you.

IN NO EVENT SHALL MANITOWOC OR ANY OF ITS AFFILIATES BE LIABLE TO THE CONSUMER OR ANY OTHER PERSON FOR ANY INCIDENTAL, CONSEQUENTIAL OR SPECIAL DAMAGES OF ANY KIND (INCLUDING, WITHOUT LIMITATION, LOSS PROFITS, REVENUE OR BUSINESS) ARISING FROM OR IN ANY MANNER CONNECTED WITH THE PRODUCT, ANY BREACH OF THIS LIMITED WARRANTY, OR ANY OTHER CAUSE WHATSOEVER, WHETHER BASED ON CONTRACT, TORT OR ANY OTHER THEORY OF LIABILITY.

Some states do not allow the exclusion or limitation of incidental or consequential damages, so the above limitation or exclusion may not apply to you.

HOW STATE LAW APPLIES

This limited warranty gives you specific legal rights, and you may also have rights that vary from state to state or from one jurisdiction to another.

REGISTRATION CARD

To secure prompt and continuing warranty service, this warranty registration card must be completed and sent to Manitowoc within thirty (30) days from the sale date. Complete the following registration card and send it to Manitowoc.

THIS PAGE INTENTIONALLY LEFT BLANK

Table des matières

Section 1 Généralités

Références des modèles	27
Accessoires	27
Roulettes de bac	27
Système de filtration d'eau Arctic Pure	27
Nettoyant et désinfectant Manitowoc	27

Section 2 Instructions d'installation

Emplacement de la machine à glaçons	28
Machine à glaçons Chaleur de rejection	28
Niveler la machine à glaçons	28
Alimentation électrique	29
Généralités	29
Tension	29
Fusible/Disjoncteur	29
Courant admissible de circuit total	29
Différentiel	29
Machine à glaçons K130/K170/K210/K270	29
Service d'eau/Évacuations d'eau	30
Alimentation en eau	30
Lignes d'arrivée d'eau	30
Raccordements d'évacuation	30
Applications avec tour de refroidissement	30
Dimensionnement/Raccordement des conduites d'alimentation en eau et d'évacuation	31
Avant la mise en marche de la machine à glaçons	32
Liste de vérification d'installation	32

Section 3 Fonctionnement

Séquence de fabrication des glaçons	33
Mise en marche initiale ou mise en marche après arrêt automatique	33
Séquence de congélation	33
Séquence de démoulage	33
Arrêt automatique	33
Tableau de pièces sous tension	34
Vérifications opérationnelles	35
Généralités	35
Système de siphonnement	35
Contrôle du robinet à flotteur d'eau	35
Contrôle du niveau d'eau	36
Contrôle de l'épaisseur du pont de glace	36

Table of Contents (continued)

Section 4 Entretien

Nettoyage et désinfection intérieurs	37
Généralités	37
Procédure de nettoyage et de désinfection	37
Inspection de la machine à glaçons	43
Nettoyage extérieur	43
Nettoyage du condenseur	43
Généralités	43
Mise hors service/Hivérisation	43

Section 5 Service clientèle

Liste de vérification	44
Fonction de limite de sécurité	45
Garantie commerciale de la machine à glaçons	46
Garantie limitée résidentielle de la machine à glaçons	47

Section 1

Généralités

Références des modèles

Le présent manuel s'applique aux modèles suivants :

Autonomes refroidis à l'air	Autonomes refroidis à l'eau
KR0130A	KR0131W
KD0132A	KD0133W
KY0134A	KY0135W
KD0172A	--
KY0174A	--
KR0210A	KR0211W
KD0212A	KD0213W
KY0214A	KY0215W
KYP0214A	--
KR0270A	KR0271W
KD0272A	KD0273W
KY0274A	KY0275W
KYP0274A	--

Avertissement

RISQUE DE BLESSURES CORPORELLES

Le présent appareil ne doit pas être utilisé par des personnes (enfants y compris) ayant des capacités physiques, sensorielles ou mentales diminuées, ou ayant un manque d'expérience et de connaissance, à moins que celles-ci n'aient reçu une formation sur l'utilisation de l'appareil par une personne responsable de leur sécurité.

Avertissement

Quelques-uns des modèles Mai le contrat en haut à 150 grammes de R290 (la proposition réfrigérant. R290 (la proposition) est inflammable dans des concentrations de 2.1% à peu près pour 9.5% de volume LEL inférieur explosion limiter et UEL supérieur explosion limiter). Une source d'ignition à une température supérieure à 470°C a besoin de rencontrer pour une combustion. Se reporter à la plaque d'identification pour identifier l'espèce de réfrigérant dans votre équipement. Seul le personnel qualifié et informé des dangers est autorisé à travailler sur l'équipement.

Accessoires

Contactez le distributeur pour obtenir ces accessoires en option :

ROULETTES DE BAC

Remplacez les pieds standard.

SYSTÈME DE FILTRATION D'EAU ARCTIC PURE

Conçus spécifiquement pour les machines à glaçons, les filtres à eau Arctic Pure sont une méthode efficace, fiable et abordable pour empêcher la formation de tartre, filtrer les sédiments et éliminer le goût et l'odeur du chlore.

NETTOYANT ET DÉSINFECTANT

Le nettoyant et le désinfectant pour machines à glaçons sont disponibles en bouteilles pratiques de 16 oz. (473 ml) et 1 gallon (3,78 l). Ce nettoyant et ce désinfectant sont les seuls produits approuvés pour les machines.

Référence du nettoyant		Référence du désinfectant	
16 oz	94-0456-3	16 oz	94-0565-3
1 Gallon	94-0580-3	1 Gallon	94-0581-3

Les machines à glaçons modèles K130, K170, K210 et K270 ne comportent pas de rideau d'eau couvrant l'évaporateur. L'amortisseur de glaçons effectue les fonctions du rideau d'eau, voir la Section 4 pour de plus amples détails.

Avertissement

Ne pas modifier le circuit de réfrigération quand installer, maintenir ou réviser l'unité.

Avertissement

Ne pas utiliser d'appareils électriques ou d'accessoires à part ceux fournis par le fabricant pour votre glace usiner travailler comme mannequin.

Section 2

Instructions d'installation

Emplacement de la machine à glaçons

Le choix de l'emplacement pour la machine à glaçons doit respecter les critères suivants. Si l'un de ces critères n'est pas respecté, choisir un autre emplacement.

- L'emplacement doit se trouver à l'intérieur.
- L'emplacement doit être exempt d'agents aéroportés et de toute autre substance contaminante.
- La température de l'air doit être au moins de 4 °C (40 °F), mais ne doit pas excéder 43 °C (110 °F).
- L'emplacement ne doit pas se trouver à proximité d'appareils générateurs de chaleur ou à la lumière directe du soleil.
- L'emplacement doit pouvoir supporter le poids de la machine à glaçons et un bac plein de glaçons.
- L'emplacement doit prévoir suffisamment de dégagement pour les prises d'eau, raccordements de vidange et raccordements électriques à **l'arrière de la machine à glaçons**.
- L'emplacement ne doit pas obstruer l'écoulement d'air dans la machine ou autour de celle-ci (le débit d'air du condenseur entre et sort sur le devant). Consulter le tableau ci-dessous pour obtenir les conditions d'espace requises.

	Autonome Refroïdie à l'air	Autonome refroidie à l'eau
Haut/Côtés	127 mm (5 po)*	127 mm (5 po)*
Arrière	127 mm (5 po)*	127 mm (5 po)*

REMARQUE : La machine à glaçons peut être encastrée dans une armoire.

Il n'y a aucune exigence de dégagement minimum pour le haut ou la gauche et la droite de la machine à glaçons. Les valeurs indiquées sont recommandées uniquement pour un fonctionnement et un entretien efficaces.

Attention

La machine à glaçons doit être protégée si elle est susceptible d'être soumise à des températures inférieures à 0 °C (32 °F). Toute défaillance due à une exposition à des températures inférieures à 0 °C n'est pas couverte par la garantie. Voir « Mise hors service/Hivérization » Section 4.

Machine à glaçons Chaleur de rejection

Séries Machine à glaçons	Chaleur de rejection*	
	Climatisation**	Crête
K130	2400	2900
K170	2200	2600
K210	2400	3400
K270	3800	6000

* B.T.U./Heure

** Étant donné que la chaleur de rejection varie pendant le cycle de fabrication de glaçons, les chiffres représentés sont une moyenne.

Les machines à glaçons, tout comme tout autre équipement de réfrigération, rejettent la chaleur par le condenseur. Il est utile de connaître la quantité de chaleur rejetée par la machine à glaçons lors du dimensionnement du matériel de conditionnement d'air où sont installées les machines à glaçons autonomes refroidies par l'air.

Niveler la machine à glaçons

1. Visser les pattes de nivellement sur le dessous de la machine à glaçons.
2. Visser le pied de chaque patte aussi loin que possible.

Attention

Les pattes doivent être bien serrées pour les empêcher de se courber.

3. Déplacer la machine à glaçons dans sa position définitive.

Avertissement

Font pas obstruer glace usiner orifice ou poste vacant.

4. Niveler la machine à glaçons de manière que le système de siphonnement fonctionne correctement. Utiliser un niveau sur le dessus de la machine à glaçons. Tourner chaque pied selon les besoins pour niveler la machine à glaçons d'avant en arrière et latéralement.

REMARQUE : Un ensemble de roulette de 2-1/2 po en option est disponible pour remplacer les pieds sur les modèles K130, K170, K210 et K270. Les instructions d'installation sont fournies avec les roulettes.

Alimentation électrique

GÉNÉRALITÉS

⚠ Avertissement

Tout le câblage doit être conforme aux codes locaux, régionaux et nationaux.

TENSION

La variation de tension admissible maximale est de $\pm 10\%$ de la tension nominale sur la plaque de référence/numéro de série de la machine à glaçons (lorsque la charge électrique est la plus haute).

Les machines à glaçons 115/1/60 sont précâblées en usine avec un cordon d'alimentation de 2,4 m (8 pi) et une configuration de fiche NEMA 5-15P.

Les machines à glaçons 208-230/1/60 et 230/50/1 sont précâblées en usine avec un cordon d'alimentation de 2,4 m (8 pi) uniquement, aucune fiche n'est fournie.

FUSIBLE/DISJONCTEUR

Un fusible/disjoncteur séparé doit être fourni pour chaque machine à glaçons. Les disjoncteurs doivent être de catégorie H.A.C.R. (ne s'applique pas au Canada).

⚠ Avertissement

La machine à glaçons doit être mise à la terre conformément aux codes de l'électricité nationaux et locaux.

COURANT ADMISSIBLE DE CIRCUIT TOTAL

Le courant admissible de circuit total permet de sélectionner la dimension de câble de l'alimentation électrique.

La dimension de câble (ou le calibre) dépendant également de l'emplacement, des matériaux utilisés, de la longueur de la conduite, etc., celle-ci doit être déterminée par un électricien qualifié.

DIFFÉRENTIEL

Une protection par différentiel (GFCI/GFI) est un système qui coupe le circuit électrique (l'ouvre) quand il détecte une perte inattendue de courant, probablement à la terre. Koolaire ne recommande pas l'emploi d'une protection de circuit GFCI/GFI avec notre équipement. Si le code requiert l'emploi d'un GFCI/GFI, il convient alors de respecter le code local. Le circuit doit être spécialisé, de dimensions correctes et il doit y avoir un disjoncteur de panneau GFCI/GFI. Nous ne recommandons l'emploi de prises GFCI/GFI étant donné qu'elles sont connues pour provoquer davantage de défaillances parasites intermittentes que les disjoncteurs de panneau.

⚠ Avertissement

RISQUE DE BLESSURES CORPORELLES

Si le cordon d'alimentation est endommagé, ne pas faire fonctionner l'équipement avant d'avoir le cordon remplacé par un agent de service ou une personne possédant les mêmes qualifications.

MACHINE À GLAÇONS K130/K170/K210/K270

Machine à glaçons	Tension/Phase/ Cycle	Refroidie à l'air		Refroidie à l'eau	
		Fusible/ Disjoncteur maximum	Intensité totale	Fusible/ Disjoncteur maximum	Intensité totale
K130	115/1/60	15	7,0	15	6,3
	208-230/1/60	15	3,1	15	2,6
	230/1/50	15	3,0	15	2,5
K170	115/1/60	15	7,2	--	--
	208-230/1/60	15	4,0*	--	--
	230/1/50	15	4,0*	--	--
K210	115/1/60	15	6,5	15	6,1
	208-230/1/60	15	3,6	15	3,1
	230/1/50	15	3,6	15	3,1
KP0210A	230/1/50	15	3,6	--	--
K270	115/1/60	15	10,7	15	9,9
	208-230/1/60	15	5,2	15	4,7
KP0270A	230/1/50	15	5,2	15	4,7

Service d'eau/Évacuations d'eau

ALIMENTATION EN EAU

En fonction des conditions d'eau locales, il peut s'avérer nécessaire de traiter l'eau pour empêcher la formation de tartre, filtrer les sédiments, éliminer le chlore et améliorer le goût et la clarté.



Avertissement

RISQUE DE BLESSURES CORPORELLES

Pour fabriquer des glaçons, connecter à une alimentation en eau potable uniquement.

Important

Pour installer un système de filtration d'eau, consulter les Instructions d'installation fournies avec le système de filtration pour les raccordements d'arrivée d'eau de fabrication des glaçons.

LIGNES D'ARRIVÉE D'EAU

Suivre ces directives pour l'installation des lignes d'arrivée d'eau :

- Ne pas raccorder la machine à glaçons à une alimentation en eau chaude. S'assurer que tous les restricteurs d'eau chaude installés pour les autres appareils fonctionnent (clapets de non-retour sur robinets d'éviers, lave-vaisselle, etc.).
- Si la pression de l'eau dépasse la pression maximale recommandée (80 psig-551,5 kPa), se procurer un régulateur de pression d'eau auprès d'un distributeur.
- Installer un robinet d'arrêt de l'eau et un raccord pour les lignes d'eau de fabrication de glaçons et d'eau du condenseur.
- Isoler les lignes d'arrivée d'eau pour éviter les problèmes de condensation.

RACCORDEMENTS D'ÉVACUATION

Suivre ces directives lors de l'installation des conduites d'évacuation pour empêcher l'eau de retourner s'écouler dans la machine à glaçons et dans le bac de stockage :

- Les lignes d'évacuation doivent avoir une inclinaison de 2,5 cm par mètre (1,5 pouce/5 pieds) et ne doivent pas créer de siphons.
- Le siphon de sol doit être suffisamment grand pour recevoir l'eau provenant de toutes les évacuations.
- Faire fonctionner séparément les lignes d'évacuation du bac et du condenseur refroidi à l'eau. Les isoler pour prévenir la condensation.
- Ventiler l'évacuation du bac dans l'atmosphère. Ne pas ventiler l'évacuation du condenseur sur les modèles refroidis par eau.

APPLICATIONS AVEC TOUR DE REFROIDISSEMENT

(Modèles refroidis par eau)

Une installation avec tour de refroidissement à eau ne requiert pas de modification de la machine à glaçons. Le régulateur d'eau du condenseur continue de contrôler la pression de refoulement de réfrigération.

Il est nécessaire de connaître la quantité de chaleur rejetée ainsi que la chute de pression dans le condenseur et les robinets d'eau (entrée et sortie) lors de l'utilisation d'une tour de refroidissement sur une machine à glaçons.

- L'eau entrant dans le condenseur ne doit pas excéder 32 °C (90 °F).
- La quantité d'eau traversant le condenseur ne doit pas dépasser 19 litres (5 gallons) par minute.
- Prévoir une chute de pression de 48 kPa (7 psi) entre l'arrivée d'eau du condenseur et la sortie de la machine à glaçons.
- L'eau sortant du condenseur ne doit pas excéder 43 °C (110 °F).

Important

L'État du Massachusetts exige que tous les modèles refroidis par eau soient raccordés uniquement à un système de tour de refroidissement à boucle fermée.

Dimensionnement/Raccordement des conduites d'alimentation en eau et d'évacuation

 **Attention**

La tuyauterie doit être conforme aux codes locaux et régionaux.

Emplacement	Température de l'eau	Pression d'eau	Raccordement de la machine à glaçons	Dimension de tubulure jusqu'à raccordement de machine à glaçons
Arrivée d'eau pour la fabrication de glaçons	4 °C (40 °F) Min. 32 °C (90 °F) Max.	137,9 kPA (20 psi) Min. 551,5 kPA (80 psi) Max.	Filetage femelle de tuyau de 3/8 po	9,5 mm (3/8 po) diamètre intérieur minimum
Arrivée d'eau de condenseur	4 °C (40 °F) Min. 32 °C (90 °F) Max.	137,9 kPA (20 psi) Min. 1034,2 kPA (150 psi) Max.	Filetage femelle de tuyau de 3/8 po K270 uniquement Filetage femelle de tuyau de 1/2 po	9,5 mm (3/8 po) diamètre intérieur minimum K270 uniquement 12,7 mm (1/2 po) diamètre intérieur minimum
Évacuation d'eau du condenseur	—	—	Filetage femelle de tuyau de 1/2 po	12,7 mm (1/2 po) diamètre intérieur minimum
Évacuation de bac	—	—	Filetage femelle de tuyau de 1/2 po	12,7 mm (1/2 po) diamètre intérieur minimum

Avant la mise en marche de la machine à glaçons

Toutes les machines à glaçons Koolaire sont mises en route et ajustées en usine avant l'expédition. Normalement, les nouvelles installations ne requièrent aucun ajustement.

Pour garantir un bon fonctionnement, suivre les Contrôles opérationnels figurant à la Section 3 du présent manuel. La mise en marche de la machine à glaçons et exécuter les contrôles opérationnels sont la responsabilité du propriétaire/de l'opérateur.

Les réglages et les procédures de maintenance indiqués dans ce manuel ne sont pas couverts par la garantie.



Avertissement

RISQUE DE BLESSURES CORPORELLES

Ne pas utiliser un équipement qui aura été mal utilisé, abusé, négligé, endommagé ou dont les spécifications originales de fabrication auront été altérées/modifiées.

Liste de vérification d'installation

- | | |
|---|---|
| <input type="checkbox"/> La machine est-elle à niveau ? | <input type="checkbox"/> Y a-t-il une évacuation séparée pour le bac ? |
| <input type="checkbox"/> Tout l'emballage interne a-t-il été retiré ? | <input type="checkbox"/> Les évacuations de machine à glaçons et de bac sont-elles aérées ? |
| <input type="checkbox"/> Tous les raccordements électriques et d'eau ont-ils été effectués ? | <input type="checkbox"/> Tous les fils électriques sont-ils exempts de contact des lignes de réfrigération et de l'équipement mobile ? |
| <input type="checkbox"/> La tension d'alimentation a-t-elle été testée et vérifiée par rapport à la valeur nominale indiquée sur la plaque signalétique ? | <input type="checkbox"/> Le propriétaire/l'opérateur ont-ils été informés de l'entretien et de l'utilisation du nettoyant et du désinfectant Manitowoc ? |
| <input type="checkbox"/> Y a-t-il un espace approprié autour de la machine à glaçons pour la circulation d'air ? | <input type="checkbox"/> Le propriétaire/l'opérateur a-t-il rempli la carte de garantie ? |
| <input type="checkbox"/> La machine à glaçons est-elle mise à la terre et la polarité est-elle correcte ? | <input type="checkbox"/> La machine à glaçons et le bac ont-ils été désinfectés ? |
| <input type="checkbox"/> La machine à glaçons a-t-elle été installée là où des températures ambiantes resteront dans la fourchette de 4 à 43 °C (40 à 110 °F) ? | <input type="checkbox"/> L'interrupteur à bascule est-il réglé sur ICE ? (L'interrupteur à bascule se trouve directement derrière le panneau avant.) |
| <input type="checkbox"/> La machine à glaçons a-t-elle été installée là où la température d'eau entrante restera dans la fourchette de 4 à 32 °C (40 à 90 °F) ? | <input type="checkbox"/> La commande d'épaisseur de glaçons est-elle réglée correctement ? (Consulter les Contrôles opérationnels pour vérifier/établir l'épaisseur de pont de glace correcte.) |
| <input type="checkbox"/> Y a-t-il une évacuation séparée pour le condenseur refroidi par eau ? | <input type="checkbox"/> Le robinet à flotteur est-il en position OPEN [OUVERTE] ? |

Section 3

Fonctionnement

Séquence de fabrication des glaçons

MISE EN MARCHÉ INITIALE OU MISE EN MARCHÉ APRÈS ARRÊT AUTOMATIQUE

1. Équilibrage de pression

Avant le démarrage du compresseur, le robinet de gaz chaud est sous tension pendant 15 secondes pour équilibrer les pressions pendant la mise en marche initiale du système de réfrigération.

2. Mise en marche du système de réfrigération

Le compresseur démarre après l'équilibrage de pression de 15 secondes et reste en marche pendant toutes les séquences de congélation et de démoulage. Le robinet de gaz chaud reste sous tension pendant 5 secondes pendant la mise en marche initiale du compresseur, puis se ferme.

Au moment du démarrage du compresseur, le moteur du ventilateur de condenseur (modèles refroidis à l'air) est mis sous tension pendant toutes les séquences de congélation et de démoulage. Le moteur du ventilateur étant par une commande par pression de cycle de ventilateur, il peut par conséquent, effectuer des révolutions en alternance. (Le compresseur et le moteur du ventilateur de condenseur sont câblés par le relais. En conséquence, à chaque fois que la bobine de relais est sous tension, le compresseur et le moteur de ventilateur sont alimentés.)

SÉQUENCE DE CONGÉLATION

3. Prérefroidissement

Le compresseur est sous tension pendant avant l'écoulement d'eau pour prérefroidir l'évaporateur.

4. Congélation

La pompe à eau démarre après le prérefroidissement de 30 secondes. Un écoulement uniforme d'eau est dirigé sur l'évaporateur et dans chaque cellule de glaçon où elle se congèle.

Lorsque suffisamment de glaçons se sont formés, l'écoulement d'eau (pas les glaçons) entre en contact avec la sonde d'épaisseur de glace. Au bout de 7 secondes environ de contact continu avec l'eau, la séquence démoulage est initiée. La machine à glaçons ne peut initier une séquence de démoulage qu'après avoir excédé un temps de congélation de 6 minutes.

SÉQUENCE DE DÉMOULAGE

5. Démoulage

La pompe à eau est mise hors tension et stoppe l'écoulement sur l'évaporateur. Le niveau montant de l'eau dans le bac de puisard détourne l'eau en la faisant sortir du tube de trop-plein, en purgeant tous les minéraux excessifs du bac de puisard. Le robinet de gaz chaud s'ouvre également pour détourner le gaz frigorigène chaud dans l'évaporateur.

Le gaz frigorigène chauffe l'évaporateur entraînant le glissement des cubes, comme une feuille, de l'évaporateur et dans le bac de stockage. La feuille glissante de cubes entre en contact avec l'amortisseur de glaçons, en ouvrant le commutateur de bac.

L'ouverture et la fermeture instantanées du commutateur de bac termine la séquence de démoulage et remet la machine à glaçons en séquence de congélation (étapes 3 - 4).

ARRÊT AUTOMATIQUE

6. Arrêt automatique

Lorsque le bac de stockage est plein à la fin d'une séquence de démoulage, la feuille de glaçons ne se dégage pas de l'amortisseur de glaçons et le maintiendra enfoncé. Une fois que l'amortisseur de glaçons est maintenu ouvert pendant 7 secondes, la machine à glaçons s'arrête. La machine reste arrêtée pendant 3 minutes avant qu'elle puisse redémarrer automatiquement.

La machine à glaçons reste arrêtée jusqu'à ce que suffisamment de glaçons aient été retirés du bac de stockage pour permettre aux glaçons de tomber à l'écart de l'amortisseur. Au fur et à mesure que l'amortisseur de glaçons bascule en position de fonctionnement, le commutateur de bac se referme et la machine à glaçons se remet en marche (étapes 1 - 2), à condition que le délai de 3 minutes soit terminé.

Tableau de pièces sous tension

	RELAIS DE TABLEAU DE COMMANDE			RELAIS		DURÉE DE TEMPS « ON » (MARCHE)
	1 POMPE À EAU	2 ROBINET DE GAZ CHAUD	3 BOBINE DE RELAIS	3A COMPRESSEUR	3B MOTEUR DU VENTILATEUR DE CONDENSEUR*	
MISE EN MARCHÉ INITIALE/MISE EN MARCHÉ APRÈS ARRÊT AUTOMATIQUE : 1. Équilibrage de pression	OFF/ ARRÊT	ON/ MARCHE	OFF/ARRÊT	OFF/ARRÊT	OFF/ARRÊT	15 Secondes
2. Mise en marche du système de réfrigération	OFF/ ARRÊT	ON/ MARCHE	ON/ MARCHE	ON/MARCHE	ON/MARCHE	5 Secondes
SÉQUENCE DE CONGÉLATION : 3. Prérefroidissement	OFF/ ARRÊT	OFF/ ARRÊT	ON/ MARCHE	ON/MARCHE	ON/MARCHE	30 Secondes
4. Congélation	ON/ MARCHE	OFF/ ARRÊT	ON/ MARCHE	ON/MARCHE	ON/MARCHE	Jusqu'à 7 sec. de contact d'eau avec la sonde d'épaisseur de glace
SÉQUENCE DE DÉMOULAGE : 5. Démoulage	OFF/ ARRÊT	ON/ MARCHE	ON/ MARCHE	ON/MARCHE	ON/MARCHE	Activation de commutateur de bac
ARRÊT AUTOMATIQUE : 6. Arrêt automatique	OFF/ ARRÊT	OFF/ ARRÊT	OFF/ARRÊT	OFF/ARRÊT	OFF/ARRÊT	Jusqu'à refermeture du commutateur de bac

* Moteur de ventilateur de condenseur : Le moteur du ventilateur étant câblé par une commande par pression de cycle de ventilateur, il peut par conséquent, effectuer des révolutions en alternance.

Vérifications opérationnelles

GÉNÉRALITÉS

Cette machine à glaçons Koolaire a été mise en route et ajustée en usine avant l'expédition. Normalement, une machine à glaçons nouvellement installée ne requiert pas d'être ajustée.

Pour garantir un bon fonctionnement, toujours suivre les contrôles opérationnels avant de mettre la machine à glaçons en marche :

- pour la première fois
- après une période prolongée hors service
- après le nettoyage et la désinfection

Les réglages de routine et les procédures de maintenance périodique indiqués dans ce manuel ne sont pas couverts par la garantie.

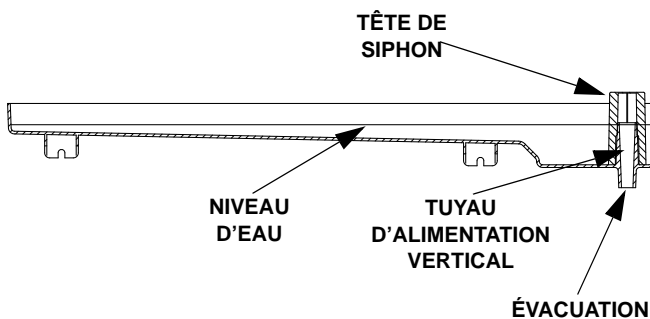
SYSTÈME DE SIPHONNEMENT

Pour réduire les dépôts de minéraux et la fréquence du nettoyage, l'eau dans le bac de puisard doit être purgée pendant chaque cycle de démoulage.

Lorsque la pompe à eau est hors tension, le niveau dans le bac à eau monte au-dessus du tuyau d'alimentation vertical démarrant ainsi une action de siphon. L'action de siphon s'arrête lorsque le niveau d'eau dans le bac de puisard baisse. Lorsque l'action de siphon s'arrête, le robinet à flotteur remplit le bac à eau au niveau correct.

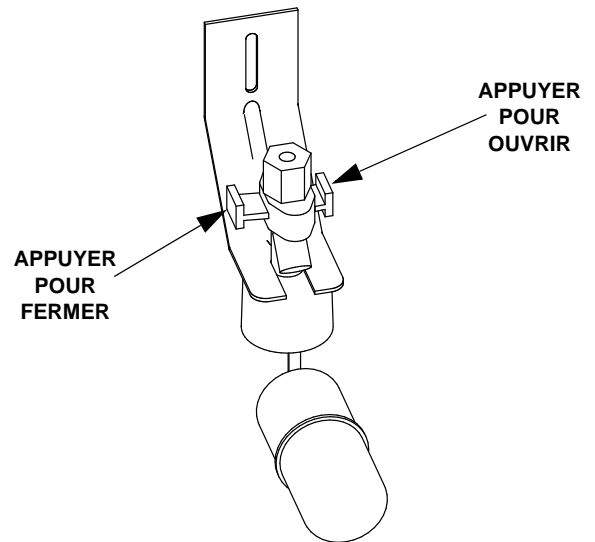
Contrôle du système de siphonnement

Suivre les étapes 1 à 6 sous la section Contrôle du niveau d'eau.



CONTRÔLE DU ROBINET À FLOTTEUR D'EAU

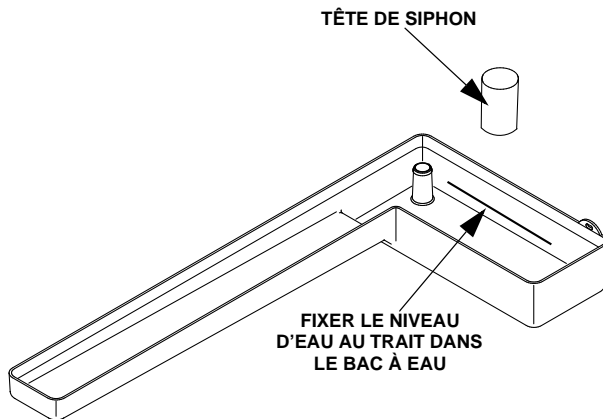
Avant que l'eau ne s'écoule dans le bac à eau, l'arrêt du robinet à flotteur doit être en position OPEN (OUVERTE).



Niveau d'eau

CONTRÔLE DU NIVEAU D'EAU

Contrôler le niveau d'eau pendant que la machine à glaçons se trouve en mode ICE et que la pompe à eau fonctionne. Le niveau d'eau correct se trouve entre 6,3 mm (1/4 po) et 9,5 mm (3/8 po) sous le haut du tuyau d'alimentation vertical. Un trait dans le bac à eau indique le niveau correct.

**Niveau d'eau**

Le robinet à flotteur est réglé en usine pour le niveau d'eau approprié. Si des réglages s'avèrent nécessaires :

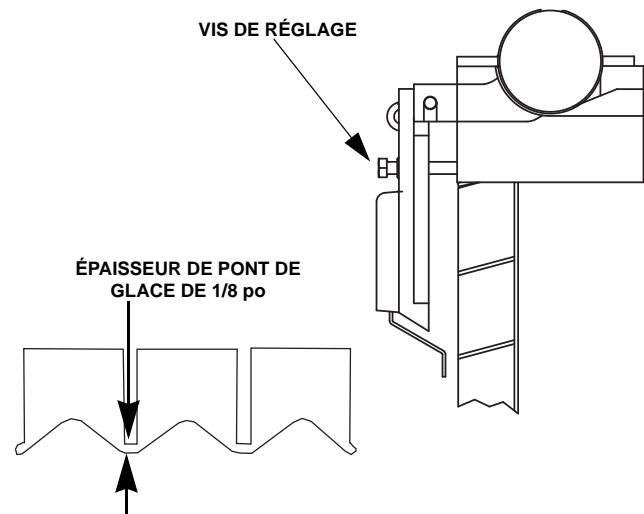
1. Vérifier que la machine à glaçons est à niveau (voir page 2-4).
2. Retirer la tête de siphon du tuyau d'alimentation vertical.
3. Mettre le commutateur à bascule principal ON/OFF/WASH en position ON et attendre jusqu'à ce que le robinet à flotteur arrête d'ajouter de l'eau.
4. Ajuster le niveau d'eau (6,3 à 9,5 mm [1/4 po à 3/8 po] sous le tuyau d'alimentation vertical) au trait dans le bac à eau :
5. Desserrer les deux vis sur le support de robinet à flotteur.
6. Remonter ou abaisser l'ensemble de robinet à flotteur selon les besoins, puis resserrer les vis.
7. Mettre le commutateur à bascule principal ON/OFF/WASH en position OFF. Le niveau d'eau dans le bac remontera au-dessus du tuyau d'alimentation vertical et s'écoulera dans l'évacuation.
8. Remettre la tête de siphon sur le tuyau d'alimentation vertical et vérifier le niveau d'eau et l'action de siphon en répétant les étapes 3 à 5.

CONTRÔLE DE L'ÉPAISSEUR DU PONT DE GLACE

La sonde d'épaisseur des glaçons est réglée en usine pour maintenir l'épaisseur du pont de glace à 3,2 mm (1/8 po).

1. Inspecter le pont connectant les glaçons. Son épaisseur doit être d'environ 3,2 mm (1/8 po).
2. Si un réglage est nécessaire, tourner la vis de réglage de la sonde d'épaisseur des glaçons dans le sens des aiguilles d'une montre pour augmenter l'épaisseur du pont ou dans le sens contraire des aiguilles d'une montre pour diminuer l'épaisseur du pont.

REMARQUE : Si la vis de réglage est tournée de 1/3, l'épaisseur des glaçons changera d'environ 1,5 mm (1/16 po).

**Contrôle de l'épaisseur des glaçons**

Veiller à ce que le fil de la sonde d'épaisseur des glaçons et le support n'entravent pas le mouvement de la sonde.

Section 4

Entretien

Nettoyage et désinfection intérieurs

GÉNÉRALITÉS

Nettoyer et désinfecter la machine à glaçons tous les six mois pour un fonctionnement efficace. Si la machine à glaçons requiert un nettoyage et une désinfection plus fréquents, contacter une entreprise de maintenance qualifiée pour tester la qualité de l'eau et recommander un traitement approprié de l'eau.

La machine à glaçons doit être démontée pour le nettoyage et la désinfection.

Attention

Utiliser uniquement le nettoyant (référence 94-0546-3) et le désinfectant (référence 94-0565-3) pour machine à glaçons approuvés par Manitowoc. Utiliser ces solutions sans tenir compte des instructions figurant sur les étiquettes est une violation de la loi fédérale. Lire et comprendre toutes les étiquettes imprimées sur les flacons avant utilisation.

PROCÉDURE DE NETTOYAGE ET DE DÉSINFECTION

Attention

Ne pas mélanger les solutions nettoyantes et désinfectantes ensemble pour machines à glaçons. Utiliser ces solutions sans tenir compte des instructions figurant sur les étiquettes est une violation de la loi fédérale.

Avertissement

Porter des gants en caoutchouc et des lunettes de sécurité (et/ou un masque) lors de la manipulation du nettoyant ou du désinfectant pour machine à glaçons.

Utiliser le nettoyant pour machine à glaçons pour éliminer le tartre et les dépôts minéraux. Le désinfectant pour machine à glaçons désinfecte et élimine les algues et tout film biologique.

Étape 1 Régler l'interrupteur à bascule sur la position OFF une fois que les glaçons tombent de l'évaporateur à la fin d'un cycle de récupération des glaçons. Ou mettre l'interrupteur en position OFF et laisser fondre la glace hors de l'évaporateur.

Attention

Ne jamais utiliser quoi que ce soit pour forcer la glace à sortir de l'évaporateur et ce, pour éviter tout dommage.

Étape 2 Retirer tous les glaçons du bac.

Étape 3 Pour démarrer un cycle de nettoyage, mettre le commutateur à bascule en position WASH.

Étape 4 Ajouter la quantité appropriée du nettoyant pour machines à glaçons au bac d'eau.

Modèle	Quantité de nettoyant
K130	30 ml (1 once)
K170	60 ml (2 onces)
K210	60 ml (2 onces)
K270	60 ml (2 onces)

Étape 5 Attendre la fin du cycle de nettoyage (22 minutes environ) puis placer le commutateur à bascule en position OFF, mettre hors tension et couper les alimentations en eau à la machine à glaçons.

Avertissement

Couper l'alimentation de la machine à glaçons au niveau de la boîte de distribution électrique avant de continuer.

Étape 6 Retirer les pièces à nettoyer.

A. Supprimer Deux Thumbscrews et L'eau Pomper Parcourir (quand Utilisée).

B. Retirer le tuyau en vinyle

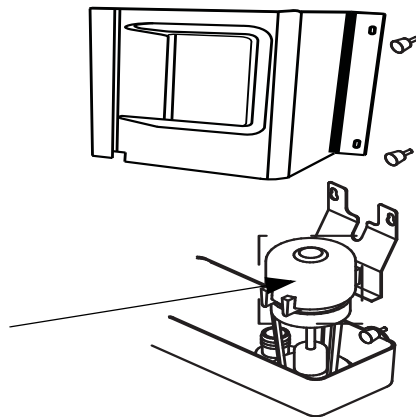
- Débrancher le tuyau d'eau du tube de distribution et de la pompe à eau

C. Retirer la pompe à eau

- Débrancher le cordon d'alimentation de la pompe à eau.

Quand Utilisée
SUPPRIMER
THUMBSCREWS
ET L'EAU POMPER
PARCOURIR

NE PAS FAIRE
TREMPER LE
MOTEUR DE LA
POMPE À EAU
DANS LA
SOLUTION
NETTOYANTE OU
DÉSINFECTANTE

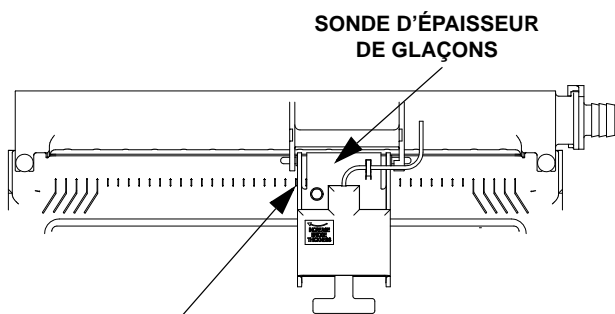


Retrait de pompe à eau

- Desserrer les vis maintenant le support de fixation de pompe à la cloison.
- Soulever la pompe et l'ensemble de support des vis de fixation.

D. Retrait de la sonde d'épaisseur de glaçons

- Comprimer le côté de la sonde d'épaisseur de glaçons près de l'axe d'articulation supérieur et retirer du support.



COMPRIMER LES CÔTÉS DE LA
SONDE D'ÉPAISSEUR DE GLAÇONS

Retrait de la sonde d'épaisseur de glaçons

REMARQUE : À ce point, la sonde d'épaisseur de glaçons peut aisément être nettoyée. Si un retrait complet est souhaité, suivre le fil de la sonde d'épaisseur de glaçons à la bague de cloison (point de sortie) dans la paroi arrière. Faire sortir la bague de cloison de la paroi arrière en insérant les ongles ou un objet plat entre la paroi arrière et la bague et pousser vers l'avant. Tirer la bague de cloison et le fil vers l'avant jusqu'à ce que le connecteur soit accessible, puis déconnecter le fil du connecteur.

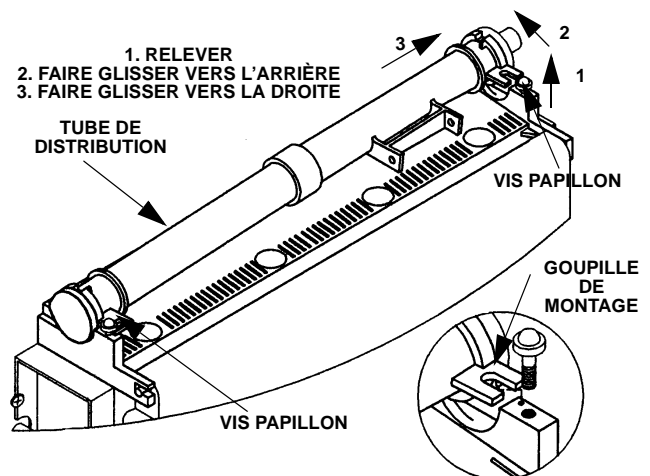
Nettoyage de la sonde d'épaisseur de glaçons

- Mélanger une solution de nettoyant pour machines à glaçons et d'eau (60 ml [2 onces] de nettoyant pour 500 ml [16 onces] d'eau) dans un récipient.
- Tremper la sonde d'épaisseur de glaçons pendant au moins 10 minutes.

Nettoyer toutes surfaces de sonde d'épaisseur de glaçons et vérifier que la cavité de sonde d'épaisseur de glaçons est propre. Rincer à fond à l'eau propre puis sécher complètement. Un rinçage et un séchage incomplets de la sonde d'épaisseur de glaçons peuvent entraîner un démoulage prématuré.

E. Retrait du tube de distribution d'eau

Modèles K170/K210/K270



Retrait du tube de distribution d'eau

K170/K210/K270

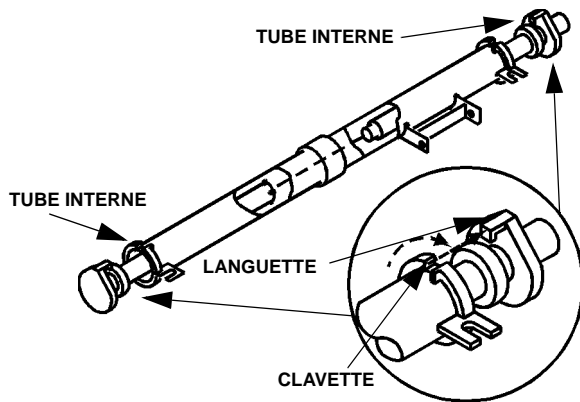
- Desserrer les deux vis papillon qui maintiennent le tube de distribution.
- Lever le côté droit du tube de distribution de la goupille de montage, puis le faire glisser vers l'arrière et vers la droite.

⚠ Attention

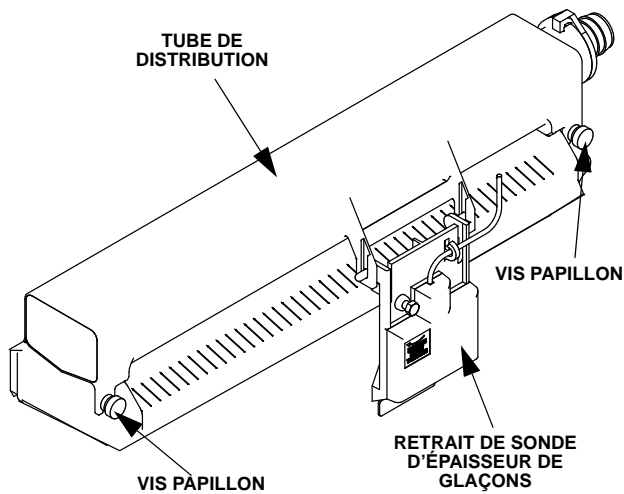
Ne pas forcer ce retrait. S'assurer que la goupille de montage est dégagée du trou avant de faire sortir le tube de distribution en le glissant.

Démontage

- Tourner les deux extrémités du tube interne jusqu'à ce que les languettes soient alignées avec les rainures.
- Tirer les extrémités du tube interne vers l'extérieur.



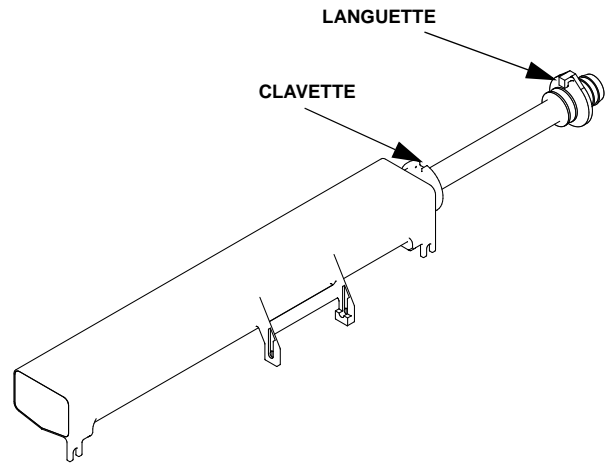
**Démontage du tube de distribution d'eau
K170/K210/K270**

Modèles K130**Retrait du tube de distribution d'eau K130**

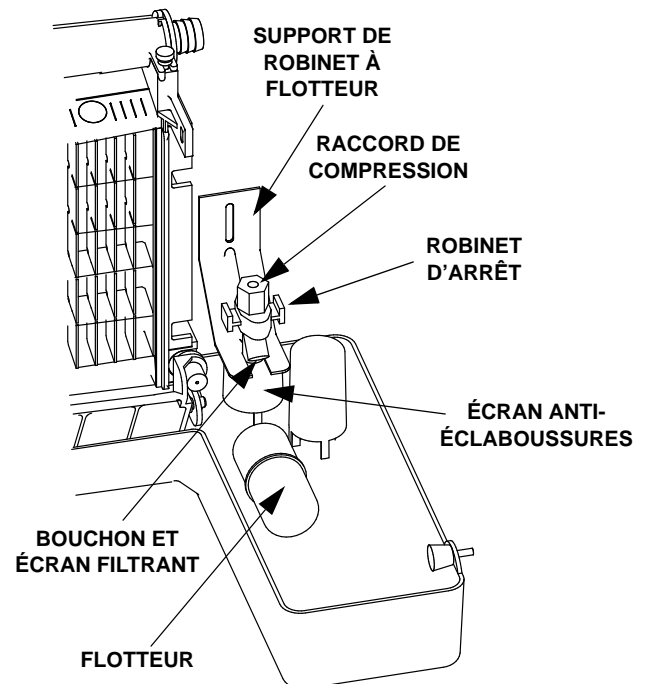
- Desserrer les deux vis papillon qui maintiennent le tube de distribution.
- Lever le tube de distribution des vis papillon.

Démontage

- Faire pivoter l'extrémité cannelée jusqu'à ce que la languette s'aligne sur la clavette.
- Tirer l'extrémité du tube interne vers l'extérieur.

**Démontage du tube de distribution d'eau K130****F. Retrait du robinet à flotteur**

- Faire tourner l'écran anti-éclaboussures dans le sens contraire des aiguilles d'une montre d'un tour ou deux.

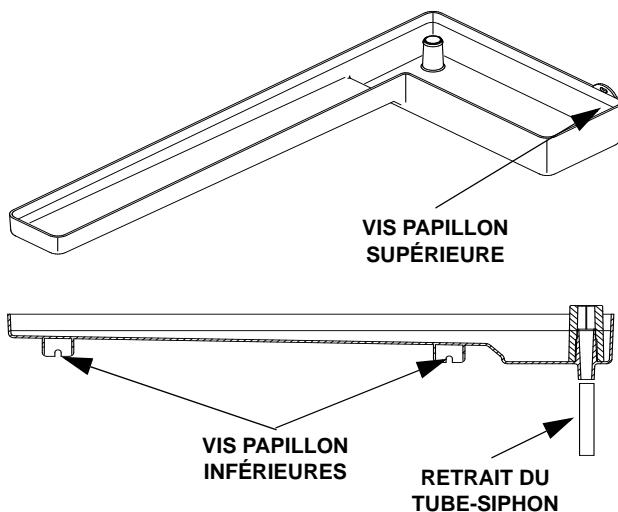
**Retrait de robinet à flotteur**

- Tirer le robinet à flotteur vers l'avant et hors du support de fixation.

- Déconnecter le tube d'arrivée d'eau du robinet à flotteur au niveau du raccord de compression.
- Retirer le bouchon et l'écran filtrant pour nettoyage.

G. Retrait du bac à eau

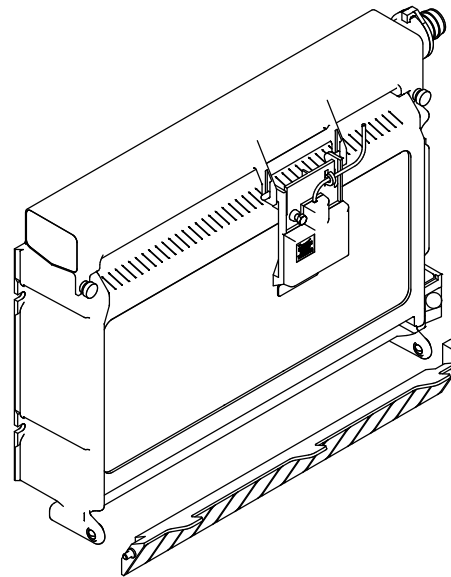
- Appliquer une pression vers le bas sur le tube-siphon et retirer du fond du bac à eau.
- Retirer la vis papillon supérieure.
- Tout en supportant le bac à eau, retirer les deux vis papillon de dessous le bac à eau.
- Retirer le bac à eau de la zone du bac.



H. Retrait de l'amortisseur de glaçons.

K130

- Saisir le côté gauche de l'amortisseur de glaçons et appliquer une pression contre le support de fixation droit de l'amortisseur de glaçons.
- Pousser l'amortisseur vers l'avant jusqu'à ce que la goupille de montage gauche se désengage.



Installation

- Saisir le côté droit de l'amortisseur de glaçons et placer la goupille gauche dans le support de fixation.
- Tout en appliquant une pression contre le support de fixation gauche, pousser l'amortisseur de glaçons jusqu'à ce que la goupille de montage s'enclenche.

K170/K210/K270

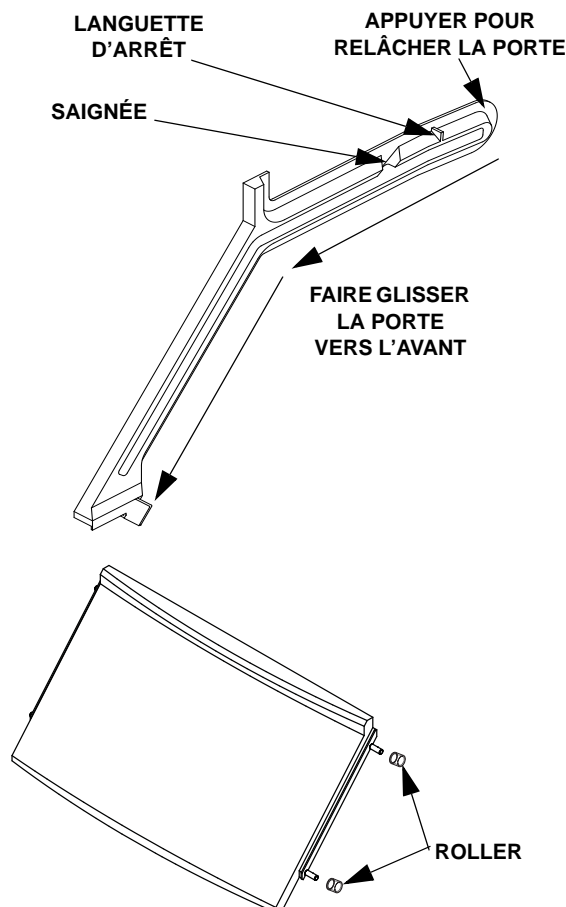
- Saisir l'amortisseur de glaçons et appliquer une pression sur le support de fixation gauche.
- Appliquer une pression sur le support de fixation droit avec le pouce.
- Tirer l'amortisseur de glaçons vers l'avant lorsque la goupille droite de l'amortisseur de glaçons se désengage.

Installation

- Placer l'amortisseur de glaçons dans le support de fixation gauche et appliquer une pression sur le support de fixation gauche.
- Appliquer une pression sur le support de fixation droit avec le pouce.
- Pousser l'amortisseur de glaçons vers l'évaporateur jusqu'à ce que la goupille droite d'amortisseur s'enclenche.

I. Retrait de la porte du bac

- Saisir l'arrière de la porte du bac et pousser la porte du bac vers l'avant de 127 mm (5 po) environ.
- Faire glisser la porte de bac vers l'arrière tout en appliquant une pression vers le haut (les goupilles de porte arrière glisseront dans la saignée et glisseront vers l'arrière jusqu'à la languette d'arrêt).
- Tout en appliquant de la pression contre la porte de bac, appuyer sur l'arrière de chaque coulisse de porte de bac jusqu'à ce que les goupilles de porte se dégagent des languettes d'arrêt.
- Faire glisser les goupilles de porte arrière de l'extrémité puis sous la coulisse de porte. Faire glisser la porte de bac vers l'avant en permettant à l'arrière de la porte de s'abaisser dans le bac. Continuer vers l'avant avec la porte de bac jusqu'à ce que les goupilles avant touchent le fond de la coulisse.
- Soulever le côté droit de la porte jusqu'à ce que les goupilles avant dégagent la coulisse, puis retirer la porte du bac.
- Remove rollers (4) from all door pins.



Étape 7 Mélanger une solution nettoyante avec de l'eau chaude. Selon la quantité de dépôt minéral, une quantité plus importante de solution peut être requise. Utiliser le rapport dans le tableau ci-dessous pour mélanger suffisamment de solution pour nettoyer toutes les pièces.

Type de solution	Eau	Mélangée avec
Nettoyant	4 l (1 gal)	500 ml (16 oz) de nettoyant

Étape 8 Utiliser la moitié de la solution nettoyant/eau pour nettoyer tous les composants. La solution nettoyante mousse lorsqu'elle est en contact avec du tartre ou des dépôts minéraux ; lorsque la formation de mousse s'arrête, utiliser une brosse en nylon à poils souples, une éponge ou un chiffon (pas une brosse métallique) pour nettoyer soigneusement les pièces. Faire tremper les pièces pendant 5 minutes (15 - 20 minutes pour les pièces fortement entartrées). Rincer tous les composants à l'eau claire.

Étape 9 Pendant le trempage des composants, utiliser la moitié de la solution nettoyant/eau pour nettoyer toutes les surfaces de zone alimentaire de la machine à glaçons et du bac. Utiliser une brosse en nylon ou un chiffon pour nettoyer les zones suivantes de la machine à glaçons :

- Pièces en plastique de l'évaporateur – y compris les parties supérieures, inférieures et latérales
- Fond, côtés et dessus du bac

Rincer complètement toutes les zones à l'eau claire.

Étape 10 Mélanger une solution désinfectante avec de l'eau chaude.

Type de solution	Eau	Mélangée avec
Désinfectant	23 l (6 gal)	120 ml (4 oz) de désinfectant

Étape 11 Utiliser la moitié de la solution désinfectant/eau pour désinfecter tous les composants retirés. Utiliser un chiffon ou une éponge pour appliquer abondamment la solution sur toutes les surfaces des pièces retirées ou faire tremper les pièces retirées dans la solution désinfectant/eau. Ne pas rincer les pièces après la désinfection.

Étape 12 Utiliser la moitié de la solution désinfectant/ eau pour désinfecter toutes les surfaces de zone alimentaire de la machine à glaçons et du bac. Utiliser un chiffon ou une éponge pour appliquer abondamment la solution. Lors de la désinfection, faire particulièrement attention aux zones suivantes :

- Pièces en plastique de l'évaporateur – y compris les parties supérieures, inférieures et latérales
- Fond, côtés et dessus du bac

Ne pas rincer les zones désinfectées.

Étape 13 Remettre tous les composants retirés en place.

Étape 14 Remettre la machine à glaçons sous tension et ouvrir l'alimentation en eau, puis placer le commutateur à bascule en position WASH.

Étape 15 Ajouter la quantité appropriée du désinfectant pour machines à glaçons au bac d'eau.

Modèle	Quantité de désinfectant
K130	48 ml (1,6 onces)
K170	66 ml (2,2 onces)
K210	66 ml (2,2 onces)
K270	57 ml (1,9 onces)

Étape 16 Attendre la fin du cycle de désinfection (22 minutes environ) puis placer le commutateur à bascule en position OFF, mettre hors tension et couper les alimentations en eau à la machine à glaçons.



Avertissement

Couper l'alimentation de la machine à glaçons au niveau de la boîte de distribution électrique avant de continuer.

Étape 17 Refaire l'étape 6 pour retirer les pièces devant être désinfectées à la main.

Étape 18 Mélanger une solution désinfectante avec de l'eau chaude.

Type de solution	Eau	Mélangée avec
Désinfectant	23 l (6 gal)	120 ml (4 oz) de désinfectant

Étape 19 Utiliser la moitié de la solution désinfectant/ eau pour désinfecter tous les composants retirés. Utiliser un chiffon ou une éponge pour appliquer abondamment la solution sur toutes les surfaces des pièces retirées ou faire tremper les pièces retirées dans la solution désinfectant/eau. Ne pas rincer les pièces après la désinfection.

Étape 20 Utiliser la moitié de la solution désinfectant/ eau pour désinfecter toutes les surfaces de zone alimentaire de la machine à glaçons et du bac. Utiliser un chiffon ou une éponge pour appliquer abondamment la solution. Lors de la désinfection, faire particulièrement attention aux zones suivantes :

- Pièces en plastique de l'évaporateur – y compris les parties supérieures, inférieures et latérales
- Fond, côtés et dessus du bac

Ne pas rincer les zones désinfectées.

Étape 21 Remettre tous les composants retirés en place.

Étape 22 Remettre la machine à glaçons sous tension et ouvrir l'alimentation en eau, puis placer le commutateur à bascule en position ICE.

Inspection de la machine à glaçons

Vérifier tous les raccords et conduites d'eau pour fuites éventuelles. S'assurer également que la tuyauterie de réfrigération ne frotte pas ou ne vibre pas contre d'autres tubes, panneaux, etc.

Ne rien mettre (boîtes, etc.) devant la machine à glaçons. Il doit y avoir un débit d'air adéquat dans et autour de la machine à glaçons pour maximiser la production de glaçons et garantir une longue vie des composants.

Nettoyage extérieur

Nettoyer la zone entourant la machine à glaçons aussi souvent qu'il le faut pour maintenir sa propreté et un fonctionnement efficace.

Éponger la poussière et la saleté sur l'extérieur de la machine à glaçons avec de l'eau et un savon doux. Essuyer à l'aide d'un chiffon propre et doux.

Utiliser un produit à nettoyer/polir pour acier inoxydable de qualité commerciale selon les besoins.

Nettoyage du condenseur

GÉNÉRALITÉS

Avertissement

Débrancher l'alimentation électrique de la partie principale de la machine à glaçons et l'unité de condensation à distance au niveau des interrupteurs de distribution électrique avant de nettoyer le condenseur.

Un condenseur sale restreint le débit d'air, entraînant ainsi des températures de fonctionnement excessivement élevées. Ce qui réduit la production de glaçons et raccourcit la durée de vie des composants.

- Nettoyer le condenseur au moins tous les six mois.

Avertissement

Les ailettes du condenseur sont coupantes. Faire attention en les nettoyant.

- Éclairer une lampe de poche dans le condenseur pour inspecter toute présence éventuelle de saleté entre les ailettes.
- Souffler à l'air comprimé ou rincer à l'eau de l'intérieur vers l'extérieur (sens opposé du débit d'air).
- S'il reste de la saleté, contacter un agent de service pour nettoyer le condenseur.

Mise hors service/Hivérisation

1. Nettoyer et désinfecter la machine à glaçons.
2. Mettre l'interrupteur ICE/OFF/CLEAN sur OFF.
3. Couper l'alimentation en eau, débrancher et vider la conduite d'eau de fabrication de glaçons entrante à l'arrière de la machine à glaçons et vider le bac à eau.
4. Mettre la machine à glaçons sous tension, attendre une minute pour que le robinet d'arrivée d'eau s'ouvre et souffler de l'air comprimé dans les ouvertures de l'eau entrante et de l'évacuation à l'arrière de la machine à glaçons pour retirer toute l'eau.
5. Mettre l'interrupteur ICE/OFF/CLEAN sur OFF et débrancher l'alimentation électrique au niveau du disjoncteur ou de l'interrupteur de service électrique.
6. Remplir un flacon pulvérisateur de désinfectant et vaporiser toutes les surfaces de zone alimentaire intérieures. Ne pas rincer et laisser sécher à l'air.
7. Remettre tous les panneaux en place.

Section 5

Service clientèle

Liste de vérification

En cas de problème pendant le fonctionnement de la machine à glaçons, suivre la liste de vérification ci-dessous avant de contacter le service technique. Les réglages périodiques et procédures d'entretien ne sont pas couverts par la garantie.

Problème	Cause possible	Mesure corrective
La machine glaçons ne fonctionne pas.	Absence d'alimentation électrique la machine glaçons.	Remplacer le fusible/réinitialiser le disjoncteur/activer l'interrupteur principal/brancher le cordon dans la prise.
	Interrupteur bascule ICE/OFF/CLEAN mal réglé.	Mettre l'interrupteur bascule en position ICE.
	Amortisseur en position ouverte (vers le bas).	L'amortisseur doit être en position verticale et capable d'osciller librement.
La machine glaçons s'arrête et peut être remise en marche en déplaçant l'interrupteur bascule sur OFF puis sur ICE.	La fonction de limite de sécurité arrête la machine glaçons.	Se reporter « Fonction de limite de sécurité » la page suivante.
La machine glaçons ne libère pas les glaçons ou est lente récupérer les glaçons.	La machine glaçons est sale.	Nettoyer et désinfecter la machine glaçons.
	La machine glaçons n'est pas nivelée.	Niveler la machine glaçons.
	Température ambiante faible autour de la machine glaçons (modèles refroidis l'air).	La température ambiante doit être au moins de 4 °C (40 °F).
	La vanne de régulation d'eau fuit en mode de démoulage (modèles refroidis par eau).	Remplacer la vanne de régulation d'eau.
La machine glaçons ne cycle pas en mode de récupération.	Le verrouillage de temps de congélation de six minutes n'est pas encore arrivé échéance.	Attendre que le verrouillage de congélation arrive échéance.
	La sonde d'épaisseur des glaçons est sale.	Nettoyer et désinfecter la machine glaçons.
	Le fil de sonde d'épaisseur des glaçons est débranché.	Raccorder le fil.
	La sonde d'épaisseur des glaçons est dérégulée.	Régler la sonde d'épaisseur de glaçons.
	Remplissage de glaçon irrégulier (mince sur le dessus de l'évaporateur).	Voir la section « Glaçons creux ou incomplets » la page suivante.
La qualité des glaçons est médiocre (mous ou opaques).	Qualité médiocre de l'eau entrante.	Contactez une entreprise de maintenance qualifiée pour tester la qualité de l'eau entrante et faire les recommandations de filtre appropriées.
	La filtration de l'eau est médiocre.	Changer le filtre.
	La machine glaçons est sale.	Nettoyer et désinfecter la machine glaçons.
	Siphon d'eau ne fonctionne pas.	Vérifier le système de siphon d'eau.
	L'adoucisseur d'eau ne fonctionne pas correctement (le cas échéant).	Réparer l'adoucisseur d'eau.

Problème	Cause possible	Mesure corrective
La machine glaçons produit des glaçons creux et incomplets, ou le motif de remplissage de glaçons sur l'évaporateur est incomplet.	La sonde d'épaisseur des glaçons est dérégulée.	Régler la sonde d'épaisseur de glaçons.
	Le niveau du bac eau est trop élevé ou trop bas.	Contrôler le niveau d'eau.
	La crépine du robinet flotteur d'eau est sale.	Retirer et nettoyer la crépine.
	La filtration de l'eau est médiocre.	Changer le filtre.
	Eau d'arrivée chaude.	Raccorder la machine glaçons une alimentation en eau froide.
	Le robinet flotteur d'eau ne fonctionne pas.	Retirer le robinet flotteur d'eau et le nettoyer.
	Pression d'eau entrante incorrecte.	La pression d'eau doit être de 137,9 - 551,5 kPA (20-80 psi).
	La machine glaçons n'est pas nivelée.	Niveler la machine glaçons.
Faible capacité de glaçons.	La crépine du robinet flotteur d'eau est sale.	Retirer et nettoyer la crépine.
	L'alimentation d'eau entrante est fermée.	Ouvrir le robinet de service d'eau.
	Le robinet flotteur d'eau est coincé ouvert ou fuit.	Retirer le robinet flotteur d'eau et le nettoyer.
	Le condenseur est sale.	Nettoyer le condenseur.
	Température ambiante élevée autour de la machine glaçons (modèles refroidis l'air).	La température ambiante ne doit pas être supérieure 43 °C (110 °F).
	Espace inapproprié autour de la machine glaçons.	Fournir espace adéquat.
	Objets empilés autour de la machine glaçons, bloquant le débit d'air vers le condenseur (modèles refroidis par air).	Retirer les articles bloquant le débit d'air.

Fonction de limite de sécurité

En plus des contrôles de sécurité standard, tels que la coupure haute pression, la machine à glaçons comporte des limites de sécurité intégrées qui arrêteront la machine à glaçons dans l'éventualité de conditions susceptibles de provoquer une défaillance de composants principaux.

Avant de contacter le service technique, redémarrer la machine à glaçons en respectant la procédure suivante :

1. Mettre l'interrupteur ICE/OFF/CLEAN sur OFF puis de nouveau sur ICE.
 - A. Si la limite de sécurité a arrêté la machine à glaçons, celle-ci se remettra en marche après un court délai. Passer à l'étape 2.
 - B. Si la machine à glaçons ne se remet pas en marche, voir la section « La machine à glaçons ne fonctionne pas » à la page précédente.
2. Laisser fonctionner la machine à glaçons pour voir si la condition se répète.
 - A. Si la machine à glaçons s'arrête à nouveau, c'est que la condition s'est répétée. Contacter le service technique.
 - B. Si la machine à glaçons continue de fonctionner c'est que la condition s'est rectifiée d'elle-même. Laisser la machine à glaçons continuer à fonctionner.

Garantie commerciale de la machine à glaçons

Manitowoc Ice, Inc. (ci-après appelée la « SOCIÉTÉ ») garantit, pendant une période de trente-six mois à compter de la date d'installation (exception faite de la limitation ci-dessous), que les nouvelles machines à glaçons fabriquées par la SOCIÉTÉ sont exemptes de tout défaut de matériaux ou de fabrication à condition d'une utilisation et d'entretien normaux et appropriés tels que spécifiés par la SOCIÉTÉ, et avec une installation et une mise en service appropriées conformes au manuel d'instructions fourni avec la machine à glaçons. La garantie de la SOCIÉTÉ ci-après relative au compresseur s'applique pendant vingt-quatre mois supplémentaires, à l'exclusion des frais de main d'œuvre, et relative à l'évaporateur pendant vingt-quatre mois supplémentaires, y compris les frais de main d'œuvre.

L'obligation de la SOCIÉTÉ en vertu de la présente garantie est limitée à la réparation ou au remplacement des pièces, des composants ou des ensembles qui, selon la SOCIÉTÉ, sont défectueux. La présente garantie est également limitée au coût des pièces, composants ou ensembles, et aux frais de main d'œuvre au salaire de base sur le lieu du service technique.

Les tarifs de taux de base et horaires, tels que publiés de temps à autre par la SOCIÉTÉ, s'appliquent à toutes les procédures de service. Les frais supplémentaires, y compris mais sans s'y limiter, le temps de déplacement, la majoration pour travail supplémentaire, le coût des matériaux, l'accès à la machine à glaçons ou son retrait, ou encore l'expédition, sont à la charge du propriétaire, tout comme le sont l'entretien, les réglages, le nettoyage et les achats de glaçons. Le travail couvert par la présente garantie doit être effectué par un représentant du service technique sous contrat de la SOCIÉTÉ ou par un organisme de service de réfrigération tel que qualifié et homologué par le distributeur local de la SOCIÉTÉ. La responsabilité de la SOCIÉTÉ en vertu de la présente garantie ne sera en aucun cas supérieure au prix d'achat réel payé par le client pour la machine à glaçons.

La garantie précédente ne s'appliquera pas à (1) toute pièce ou tout ensemble qui auront été altérés, modifiés ou changés ; (2) toute pièce ou tout ensemble qui auront été soumis à une mauvaise utilisation, un abus, une négligence ou des accidents ; (3) toute machine à glaçons qui aura été installée et/ou entretenue à l'encontre des instructions techniques fournies par la SOCIÉTÉ ; ou (4) toute machine à glaçons qui aura été initialement installée plus de cinq ans à compter de la date de production du numéro de série. La présente garantie ne s'applique pas si le système de réfrigération de la machine à glaçons est modifié par un condenseur, un récupérateur de chaleur ou d'autres pièces ou ensembles non fabriqués par la SOCIÉTÉ, sauf en cas de l'approbation écrite par la SOCIÉTÉ de ces modifications pour des emplacements spécifiques.

LA PRÉSENTE GARANTIE REMPLACE TOUTES LES AUTRES GARANTIES DE TOUTE SORTE, EXPRESSES OU TACITES, Y COMPRIS TOUTE GARANTIE IMPLICITE DE QUALITÉ MARCHANDE OU D'ADAPTATION À UN USAGE PARTICULIER. En aucun cas, la SOCIÉTÉ ne peut être tenue responsable des dommages spéciaux, indirects, accessoires ou consécutifs. Lors de l'échéance de la période de garantie, la responsabilité de la SOCIÉTÉ en vertu de la présente garantie viendra à échéance. La garantie précédente constitue la seule responsabilité de la SOCIÉTÉ et le recours exclusif du client ou de l'utilisateur.

Pour assurer un service de garantie prompt et permanent, la carte de garantie doit être remplie et envoyée à la SOCIÉTÉ dans les cinq (5) jours suivant la date d'installation.

Remplir ce qui suit et conserver cette information :

Distributeur/Revendeur _____

Référence de modèle _____ Numéro de série _____

Date d'installation _____

MANITOWOC ICE, INC.

2110 So. 26th St., P.O. Box 1720, Manitowoc, WI 54221-1720 USA

Téléphone : 920-682-0161 • Fax : 920-683-7585

Site Web - www.manitowocice.com

Formulaire 80-0375-3 Rév. 01-02

Garantie limitée résidentielle de la machine à glaçons

CE QUE COUVRE LA PRÉSENTE GARANTIE LIMITÉE

Sous réserve des exclusions et limitations ci-dessous, Manitowoc Foodservice (« Manitowoc ») garantit au client d'origine toute nouvelle machine à glaçons fabriquée par Manitowoc (le « Produit ») contre tout défaut de matériau ou vice de fabrication pendant la période de garantie décrite ci-dessous dans des conditions normales d'utilisation et d'entretien, et suite à une installation et une mise en service correctes conformément au manuel d'instructions fourni avec le Produit.

PÉRIODE DE CETTE GARANTIE LIMITÉE

<u>Produit couvert</u>	<u>Période de garantie</u>
Machine à glaçons	Douze (12) mois à compter de la date de vente

PERSONNES COUVERTES PAR CETTE GARANTIE LIMITÉE

La présente garantie limitée s'applique uniquement au client d'origine du Produit et n'est pas transférable.

OBLIGATIONS DE MANITOWOC ICE DANS LE CADRE DE CETTE GARANTIE LIMITÉE

En cas de défaut et de réception par Manitowoc d'une déclaration de dommage valide avant l'expiration de la période de garantie, Manitowoc doit, sur sa décision : (1) réparer le Produit à ses frais, y compris les frais de main d'œuvre standard en heures normales, (2) remplacer le Produit par un nouveau produit ou un produit équivalent à l'original ou (3) rembourser le prix d'achat du Produit. Les pièces de rechange sont garanties pendant 90 jours ou pour le reste de la période de garantie d'origine, si elle est plus longue. Les éléments précédents constituent l'unique obligation de Manitowoc et le recours exclusif du client en cas de rupture de la présente garantie limitée. La responsabilité de Manitowoc dans le cadre de la présente garantie limitée se limite au prix d'achat du Produit. Toutes dépenses supplémentaires, y compris mais sans s'y limiter, le temps de déplacement pour service, les frais de main d'œuvre d'heures supplémentaires ou de majoration, l'accessibilité au Produit ou son retrait, ou l'expédition sont à la charge du client.

OBTENTION DE SERVICE DE GARANTIE

Pour obtenir un service de garantie ou toute information concernant le Produit, veuillez nous contacter :
 MANITOWOC FOODSERVICE
 2110 So. 26th St.
 P.O. Box 1720,
 Manitowoc, WI 54221-1720 USA
 Téléphone : 920-682-0161 Fax : 920-683-7585
www.manitowocice.com

CE QUI N'EST PAS COUVERT

La présente garantie limitée ne couvre pas, et laisse à votre seule responsabilité, les frais de ce qui suit : (1) maintenance périodique ou de routine, (2) réparation ou remplacement du Produit ou des pièces suite à une usure normale, (3) défauts ou dommages du Produit ou des pièces du fait d'une mauvaise utilisation, d'une utilisation abusive, de négligences ou d'accidents, (4) défauts ou dommages du Produit ou des pièces du fait d'altérations, de modifications ou de changements incorrects ou non autorisés et (5) défauts ou dommages d'un Produit non installé et/ou maintenu conformément au manuel d'instructions ou aux spécifications techniques fournis par Manitowoc. Dans la mesure où ces exclusions de garantie dépendent des lois nationales, il est possible qu'elles ne vous concernent pas.

SAUF TEL QU'INDIQUÉ PAR LA PHRASE SUIVANTE, LA PRÉSENTE GARANTIE LIMITÉE REPRÉSENTE LA SEULE ET UNIQUE GARANTIE DE MANITOWOC CONCERNANT LE PRODUIT. TOUTES LES GARANTIES TACITES SONT STRICTEMENT LIMITÉES À LA DURÉE DE LA GARANTIE LIMITÉE S'APPLIQUANT AUX PRODUITS, COMME INDIQUÉ PRÉCÉDEMMENT, Y COMPRIS, SANS TOUTEFOIS S'Y LIMITER, TOUTE GARANTIE DE QUALITÉ MARCHANDE OU D'ADAPTATION À UN USAGE PARTICULIER.

Certains pays ne permettant pas de limitations sur la durée d'une garantie tacite, il est possible que la limitation ci-dessus ne vous concerne pas.

EN AUCUN CAS, MANITOWOC OU UNE DE SES FILIALES, NE PEUT ÊTRE TENUE POUR RESPONSABLE DU CLIENT OU DE TOUTE AUTRE PERSONNE EN CAS DE DOMMAGES ACCESSOIRES, CONSÉCUTIFS OU PARTICULIERS DE TOUTE NATURE (Y COMPRIS, MAIS SANS TOUTEFOIS S'Y LIMITER, UNE PERTE DE PROFITS, DE REVENUS OU COMMERCIALE) DÉCOULANT, OU LIÉS DE QUELQUE MANIÈRE QUE CE SOIT, AU PRODUIT, À UNE RUPTURE DE LA PRÉSENTE GARANTIE LIMITÉE, OU À TOUTE AUTRE CAUSE, QUELLE QU'ELLE SOIT, BASÉE SUR LE CONTRAT, SUR LA RESPONSABILITÉ CIVILE OU TOUTE AUTRE RESPONSABILITÉ.

Certaines juridictions ne permettant pas l'exclusion ou la limitation de dommages accessoires ou consécutifs, il est possible que cette limitation ou exclusion ci-dessus ne vous concerne pas.

APPLICATION DES LOIS NATIONALES

La présente garantie limitée vous offre des droits légaux spécifiques et il se peut que vous ayez d'autres droits qui varient d'une juridiction à une autre.

CARTE DE GARANTIE

Pour assurer un service de garantie prompt et permanent, cette carte de garantie doit être remplie et envoyée à Manitowoc dans les trente (30) jours suivant la date de vente. Remplir la carte de garantie suivante et l'envoyer à Manitowoc.

KOOLAIRE[®]
