



ICEU220

Features

- Space-saving 24" (623 mm) wide undercounter design.
- Produces up to 251 lbs (114 kg) of ice per day.
- *Harvest Assist* provides consistent ice production for the life of the ice maker while reducing energy consumption and increasing capacity.
- *Pure Ice*® exclusively by Ice-O-Matic. Built-in antimicrobial protection for the life of the ice maker inhibits bacteria growth on ice maker surfaces. Ice-O-Matic's optional water filtration system provides protection against unpleasant tastes, odors and scale formation.
- Durable, electroless nickel plating on all evaporator plates ensures reliability.
- *Longest warranty in the industry.* Purchase an Ice-O-Matic water filter with your cube ice maker, replace the filter every six months, and the evaporator warranty is extended to 7 years parts and labor (available in the U.S. and Canada only).
- Constructed from corrosion-resistant stainless steel and fingerprint-proof plastic.

Options & Accessories

Ice Machine Model	WATER FILTERS		
	Manifold		Inline
	System	Replacement	System
ICEU220	IFQI	IOMQ (I)	IFI4C / IFI8C
ICEU226			
ICEU225			

Ice Maker Warranty

Every Ice-O-Matic ice maker is backed by a warranty that provides both parts and labor coverage.

- Three years **Parts** and **Labor**.
- Five years **Parts** coverage on the evaporator and compressor.
- Seven years **Parts** and **Labor** on the evaporator when you purchase an Ice-O-Matic water filter with your cube ice maker and replace the filter every six months (available in the U.S. and Canada only).

Ice Form



CUBE

FULL CUBE DIMENSIONS	
W x D x H (in.)	7 ⁵ / ₈ x 7 ⁵ / ₈ x 7 ⁵ / ₈
W x D x H (mm)	22 x 22 x 22
HALF CUBE DIMENSIONS	
W x D x H (in.)	3 ⁵ / ₈ x 7 ⁵ / ₈ x 7 ⁵ / ₈
W x D x H (mm)	10 x 22 x 22

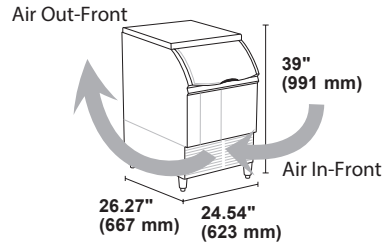
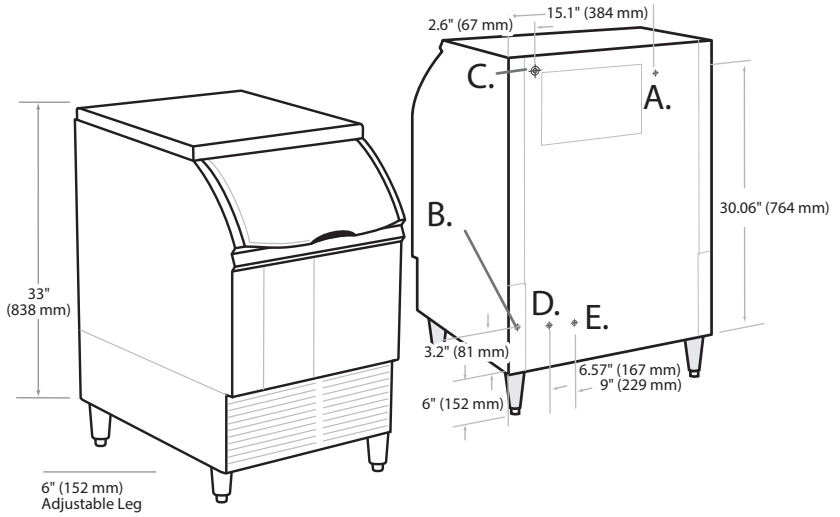
Space-Saving Solutions

- Front air discharge design for compact spaces.
- Low profile top saves counter space.
- Stores up to 74 lbs (33.5 kg) of ice.
- Easy front access to ice.
- Available with an air-cooled or water-cooled condenser.



Air and Water Cooled

- A. Ice maker water in $\frac{3}{8}$ " FPT.
- B. Bin and ice maker drain, $\frac{3}{4}$ " FPT.
- C. Hole for electrical connections, $\frac{7}{8}$ " (Cord on 115V).
- D. Condenser water in, $\frac{3}{8}$ " FPT (water cooled units only).
- E. Condenser water out, $\frac{1}{2}$ " FPT (water cooled units only).



Front & Rear View

ICEU220/226/225 SELF CONTAINED CUBE ICE MAKER

Operating Requirements

	MINIMUM	MAXIMUM	
		60 Hz	50 Hz
Ambient Temp. Range Air	50°F (10°C)	100°F (38°C)	110°F (43°C)
Water Temp.	40°F (4.4°C)		
Water Pressure	20 PSIG (1.4 BAR)	60 PSIG (4.1 BAR)	

Dimensions

ALL MODELS	
W x D x H (in.)	24.54 x 26.27 x 39
W x D x H (mm)	623 x 667 x 991

Specifications

Model Number	Cond. Unit	Ice Production per 24hrs		Water Usage gallons per 100 lbs of Ice 90°F air/70°F water		kWH Used per 100 lbs of ice @ 90°F air/70°F water	Voltage Characteristics	Min. Circuit Ampacity	Max Breaker Size	Approx. BTUs per hour**	
		70°F air/50°F water lbs (kg)	90°F air/70°F water lbs (kg)	Potable	Condenser						
ICEU220A*	Air	238 (108)	165 (74)	25.0	N/A	7.4	115/60/1	11.9	15	5,000	
ICEU220W*	Water	251 (114)	193 (88)		193	5.4		8.9			
ICEU226A	Air	241 (109)	166 (75)		N/A	8.0	208-230/60/1	6.0	15		
ICEU226W	Water	232 (105)	159 (72)		179	6.1		4.1			
ICEU225A	Air	211 (96)	143 (65)		N/A	8.8	208-230/60/1	4.9	16		4,000
ICEU225W	Water	210 (95)	174 (79)		156	6.3		4.4			

**BTUH is calculated 0°F Evaporator, 100°F Condensing, and 33 PSIG.

NOTES:

- Number of Wires: 3 (including ground)
- Approx. Shipping Weight lbs (kg): ICEU220A 160 (73) • ICEU220W 160 (73) • ICEU226A 160 (73) • ICEU226W 160 (73) • ICEU225A 160 (73) • ICEU225W 160 (73)
- Refrigerant Type: ICEU225A = R404A
- *Cordset included with 115V units.