



Project Name: _____

Location: _____

Item #: _____ Qty: _____

Model: _____

PREMIUM WATER FILTERS

MODEL: TLC-107096 TLC-107097 TLC-3200S

Premium Water Filters are exclusively designed to work with Maxx Ice ice machines to improve the quality of ice, optimize daily operation and reduce ice machine expense and maintenance. Adding a water filtration system to your ice machine can help reduce scale, improve ice clarity and taste. Sanitation of your foodservice operation and quality of your drinks & food is greatly improved with Maxx Ice Premium Water Filtration System.

FEATURES

- NSF Approved, tested to ANSI and NSF 42
- Compatible with all Maxx Ice ice machines
- Provides ultra-fine 0.5 micron of filtration, inhibits unwanted bacteria from entering the water system for improved sanitation, taste and eliminate odors
- Gradient density carbon block filter is effective in contaminant reduction
- 95% average Chlorine reduction when using a premium filter eliminating odors and improves taste of ice as well as clarity
- Ice machine life is extended when a premium filter is installed and when the cartridge is changed every 6 months or when PSI is below 24
- Scale Inhibitor, SLO PHOS slow dissolving phosphate additive prevents scaling and scale build up
- Premium water filters help reduce sediments such as sand, rust and dirt from entering machine to ensure optimum operation, reducing daily operation costs and maintenance expenses
- Available in single and double head, with pressure gauge and replacement cartridges
- Sturdy manifold is supplied with a water pressure gauge with a tattle tale needle to track the water pressure highs and lows
- Maximum flow rate for single cartridge is 2.1GM and filter life of 27,000 Gallons or 102,206 Liters
- Replacement cartridges can be “changed out” without turning OFF the ice machine

OPERATING PARAMETERS

Pressure:

TLC-3200S 25-125 psi (1.7-8.6 bar)
 TLC-107096 25-125 psi (1.7-8.6 bar)
 TLC-107097 25-125 psi (1.7-8.6 bar)

Temperature:

TLC-3200S 35° to 100°F (1.7° to 38°C)
 TLC-107096 35° to 100°F (1.7° to 38°C)
 TLC-107097 35° to 100°F (1.7° to 38°C)



TLC-107096



TLC-107097



TLC-3200S
Replacement Cartridge

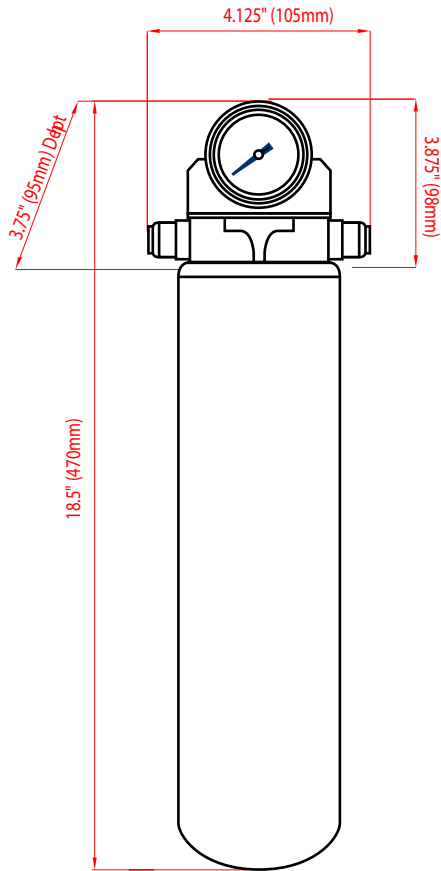
3RD PARTY APPROVALS



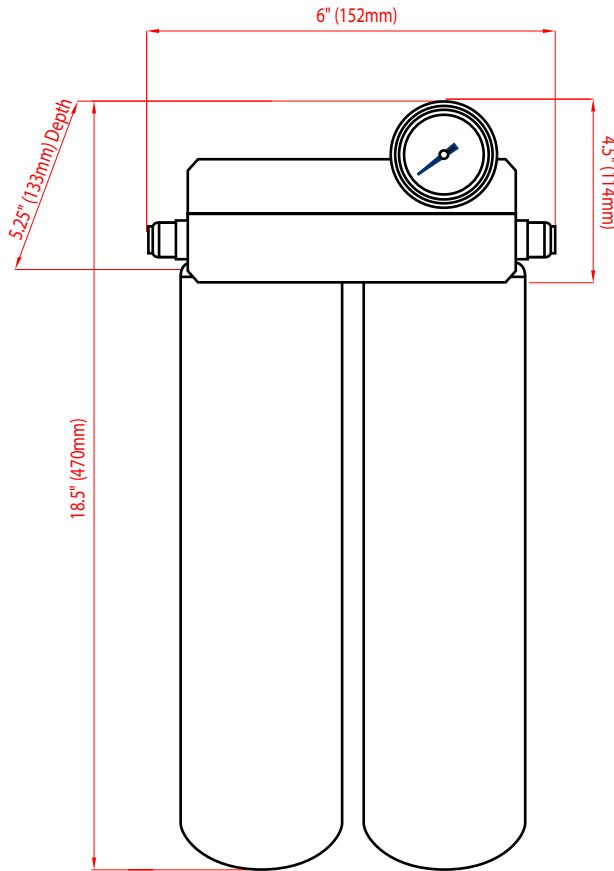
Tested to ANSI NSF 42



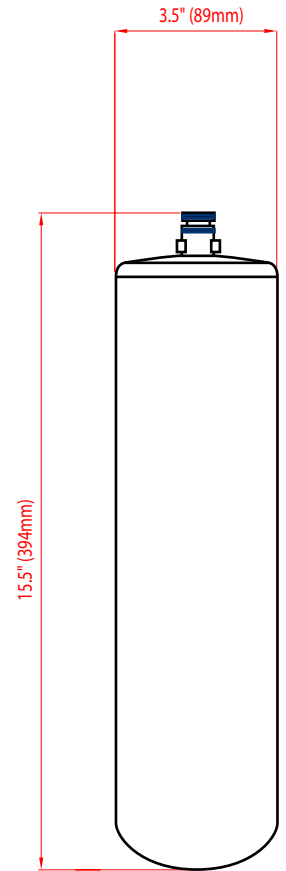
TLC-107096



TLC-107097



TLC-3200S



MODEL	EXTERNAL DIMENSIONS W x D x H	MAXIMUM FLOW RATE	PRESSURE	TEMPERATURE	FILTER LIFE (6 MONTHS)	MICRON RATING	SCALE INHIBITOR	IMPROVES ICE TASTE/CLARITY	REDUCES SEDIMENT	UNIT WEIGHT
TLC-107096	4.125" x 3.75" x 18.5" (105 x 95 x 470 mm)	2.1 GPM	25-125 psi (1.7 - 8.6 bar)	35°F to 100°F (1.7°C to 38°C)	27,000 Gal (102,206 L)	0.5	Yes	Yes	Yes	2.75 lb (1.24 kg)
TLC-107097	6" x 5.25" x 18.5" (152 x 133 x 470 mm)	4.2 GPM	25-125 psi (1.7 - 8.6 bar)	35°F to 100°F (1.7°C to 38°C)	54,000 Gal (204,412 L)	0.5	Yes	Yes	Yes	6.25 lb (2.83 kg)
TLC-3200S	3.5" x 3.5" x 15.5" (89 x 89 x 394 mm)	2.1 GPM	25-125 psi (1.7 - 8.6 bar)	35°F to 100°F (1.7°C to 38°C)	27,000 Gal (102,206 L)	0.5	Yes	Yes	Yes	2.5 lb (1.13 kg)

INSTALLATION

- Install and replace cartridge on back of unit, vertically, hanging down
- Allow 2.5" (6.25 cm) clearance when installing
- Please comply to local plumbing codes
- Flush filter cartridge with water for 10 minutes prior to connecting ice machine
- Recommend testing your local water supply to determine water treatment needs
- Change cartridges on a six (6) month cadence or when water pressure is under 24 psi
- Protect from freezing during winter months to prevent filter housing from cracking