



SERVICE, INSTALLATION AND OPERATION MANUAL
MANUEL D'ENTRETIEN, D'INSTALLATION ET D'UTILISATION
MANUAL DE FUNCIONAMIENTO, INSTALACIÓN Y MANTENIMIENTO



GCRB-24

GCRB-36

GCRB-48

**LP & NATURAL GAS RADIANT CHARBROILERS / GRILLOIRS À CHALEUR RAYONNANTE AU GAZ PROPANE LIQUIDE
ET NATUREL / PARRILLA PARA ASAR CON CALOR RADIANTE DE GAS NATURAL O PROPANO LÍQUIDO (LP) PLEASE
READ CAREFULLY / VEUILLEZ LIRE AVEC SOIN / LEE DETENIDAMENTE**

Table of Contents

SERIAL NUMBER INFORMATION.....	3
APPLIANCE SAFETY	4
IMPORTANT SAFEGUARDS	5
DIMENSIONS	6
TECHNICAL INFORMATION	6
SETUP INSTRUCTIONS	7
ASSEMBLY	8
CONVERSION	9
PILOT LIGHT & BURNER ADJUSTMENT	10
OPERATING INSTRUCTIONS	10
CLEANING AND MAINTENANCE	12
TROUBLESHOOTING GUIDE.....	13
EXPLODED VIEW & PARTS LIST	14
FRENCH.....	17
SPANISH.....	32

Keep the dated proof of purchase invoice which establishes the appliance's warranty period.

SERIAL #: _____

MODEL #: _____ **DATE OF PURCHASE:** _____

SERIAL NUMBER INFORMATION

- The serial number of the unit is located on the side of the unit on the lower right side.
- Always have the serial number of your unit available when calling for parts or service.
- This manual covers standard units only. If you have a custom unit, consult customer service department at the number listed on cover page.

**READ THIS MANUAL IN ITS ENTIRETY
TO HELP FAMILIARIZE YOURSELF WITH YOUR NEW EQUIPMENT BEFORE PROCEEDING.**
We have provided many important safety messages in this manual.
Always read and obey all safety messages.
Understanding of safety messages will assist in alerting you to potential hazards, as well as tell you
how to reduce the chance of injury. Follow the instructions as outlined in this manual.

Due to periodic changes in designs, methods, procedures, policies and regulations, the contents of this manual are subject to change without notice. While we exercise good faith efforts to provide information that is accurate, we are not responsible for errors or omissions in information provided or conclusions reached as a result of using this reference manual. By using the information provided, the user assumes all risks in connection with such use.

APPLIANCE SAFETY

**Your safety and the safety of others are very important.
Always read and obey all safety messages in this manual.**



This is the Safety Alert Symbol. This symbol alerts you to potential hazards that can kill or injure you and others. All safety messages will follow the Safety Alert Symbol and either the words "DANGER", "WARNING" or "CAUTION".

DANGER

DANGER means that failure to heed this safety statement may result in Death or Severe Personnel Injury.

WARNING

WARNING means that failure to heed this safety statement may result in extensive product damage, serious personal injury, or death.

CAUTION

CAUTION means that failure to heed this safety statement may result in minor or moderate personal injury, or property or equipment damage.

All safety messages will alert you to what the potential hazard is, tell you how to reduce the chance of injury, and let you know what can happen if the instructions are not followed.



NOTE: IMPORTANT SAFETY INSTRUCTIONS

WARNING

To reduce the risk of fire or injury when using your appliance, follow these basic precautions:

- If you smell gas, close the shut off valve, open windows, ventilate and evacuate the area immediately.
- Do not touch electrical switches or plugs. Extinguish any open flames. Immediately call your gas supplier.
- Do not store flammable liquids near this unit.
- Unit should only be used in a flat, level position.
- Keep the appliance area free and clear from combustibles.
- Allow hot unit to cool before cleaning or moving.
- Failure to install, adjust or maintain this equipment properly can result in injury or death.
- Improper installation, adjustment, alteration, service or maintenance can cause property damage, injury or death. Have this equipment installed and adjusted by a qualified service technician to comply with all federal, state and local codes.
- Read installation, operating and maintenance instructions thoroughly before installing or servicing this equipment.
- A qualified service technician must handle all maintenance and repair.

SAVE THESE INSTRUCTIONS

IMPORTANT SAFEGUARDS

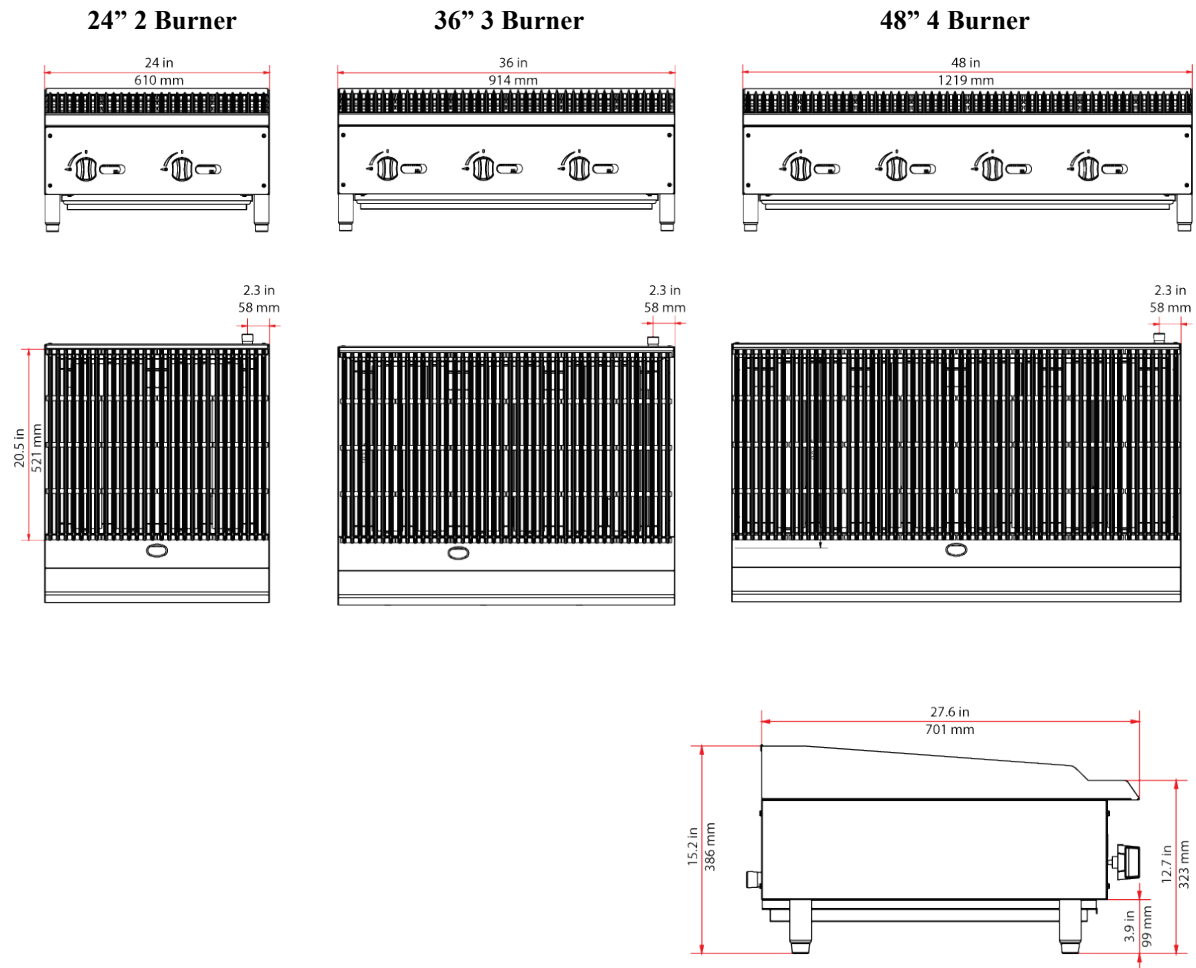


Before the appliance is used, it must be properly positioned and installed as described in this manual, so read the manual carefully. We strongly recommend that you have a qualified service technician install your new machine. The warranty may be affected or voided by an incorrect installation. To reduce the risk of fire or injury when using the appliance, follow basic precautions, including the following:

CAUTION

- Never clean appliance parts with flammable fluids. Do not store or use gasoline or other flammable vapors and liquids in the vicinity of this or any other appliance. The fumes can create a fire hazard or explosion.
- Disconnect gas line before cleaning or servicing. Failure to do so can result in fire or injury.
- Do not leave appliance unattended with main gas valve open.
- This unit is designed to be used with legs. Do not use without legs. Use of this equipment without legs can cause the unit to overheat and cause a fire.
- If unit is placed on a moveable table or base, it requires a quick disconnect hose and restraining cable for safe operation
- Before using this equipment, it must be cleaned thoroughly. Clean all surfaces before use.
- Failure to clean surfaces before using the unit could cause food contamination and excessive smoking.
- Do not spray controls or outside of unit with liquids or cleaning agents.
- DO NOT use an open flame to check for leaks. Check all gas piping for leaks with a soap and water solution before operating unit.
- This appliance must be properly installed and located in accordance with the Installation Instructions before it is used.
- It is important for the appliance to be level for proper operation. You may need to make adjustments to level it.
- Remove the packing materials and clean the appliance before using.
- Do not use this apparatus for other than its intended purpose.
- Smoke appearing on initial use of the appliance is normal. This is as a result of the rust preventing coating burning off. Allow the unit to 'burn in' for at least 30 minutes before the first use.

DIMENSIONS



TECHNICAL INFORMATION

	24" 2 Burner		36" 3 Burner		48" 4 Burner	
# of Burners & BTUs	2 Burners @ 35,000 BTU		3 Burners @ 35,000 BTU		4 Burners @ 35,000 BTU	
Total BTU / Hour	70,000 BTU per Hour		105,000 BTU per Hour		140,000 BTU per Hour	
Hose Connection	.75"		.75"		.75"	
in: Dimensions (W x D x H)	24" x 27.6" x 15.2"		36" x 27.6" x 15.2"		48" x 27.6" x 15.2"	
mm: Dimensions (W x D x H)	610 x 701 x 386		914 x 701 x 386		1219 x 701 x 386	
Shipping Weight	147 lbs		205 lbs		256 lbs	
Orifice Size (range)	LP	NG	LP	NG	LP	NG
	49 or 50	34, 35 or 36	49 or 50	34, 35 or 36	49 or 50	34, 35 or 36

SETUP INSTRUCTIONS

DANGER

Failure to install, adjust or maintain this equipment properly can result in injury or death. Improper installation, adjustment, alteration, service or maintenance can cause property damage, injury or death. Have this equipment installed and adjusted by a qualified service technician in accordance with all federal, state and local codes.

WARNING

Read installation, operating and maintenance instructions thoroughly before installing or servicing this equipment.

CAUTION

This unit is designed to be used with legs. Do not use without legs. Use of this equipment without legs can cause the unit to overheat and cause a fire.

Unpacking

IMMEDIATELY INSPECT FOR SHIPPING DAMAGE

All containers should be examined for damage before and during unloading. The freight carrier has assumed responsibility for its safe transit and delivery. If equipment is received damaged, either apparent or concealed, a claim must be made with the delivering carrier.

- A) Apparent damage or loss must be noted on the freight bill at the time of delivery. The carrier representative (Driver) must then sign it. If this is not done, the carrier may refuse the claim. The carrier can supply the necessary forms.
- B) In case of concealed damage or loss if not apparent until after equipment is uncrated, a request for inspection must be made to the carrier within 15 days. The carrier should arrange an inspection. Be certain to hold all contents and packaging material.

Mobile Installation

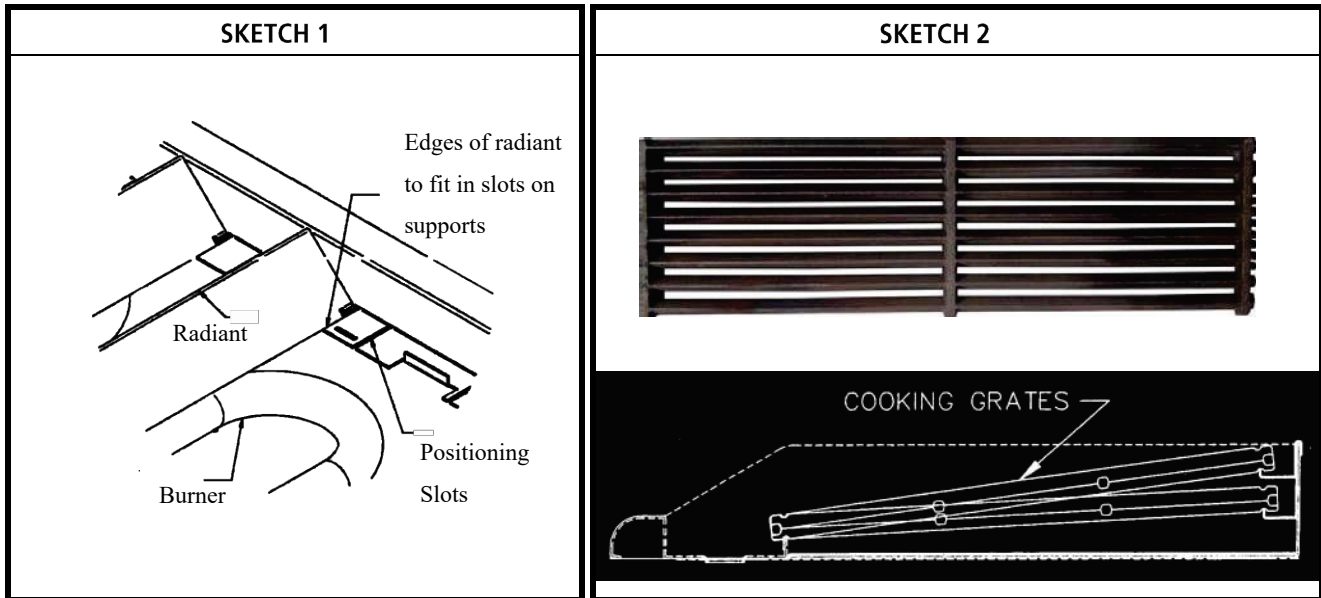
This countertop appliance can be placed on a mobile equipment stand (stainless steel top) or refrigerated base which facilitates cleaning the surrounding area or remote servicing of the appliance. A mobile installation requires a quick connect supply hose passive restraint cable and stand off to comply with all governing ordinances and regulations.

Be sure to have your installation including the vent hood inspected and approved by the local building code official/authority.

(To optimize the cooking surface work height, purchasing a factory authorized shorter caster set for your mobile equipment stand or refrigerated base may be desirable. Using another substitute caster or not using an approved and inspected supply hose with disconnect check valve will void the appliance warranty)

ASSEMBLY

1. Screw legs into the permanently fastened nuts on the four corners of the unit and tighten by hand.
2. Level the unit by turning the adjustment screw at the bottom of each leg. Do not slide unit with legs mounted; lift to move the unit.
3. Place the radiant tents in their position as shown in Sketch 1. Make sure that the tents are setting properly into the slots on the front and rear supports. Tents should be centered over straight section of the burners.
4. Place the top cooking grates with the grid bars sloping toward the front as shown in Sketch 2. NOTE: When cooking grates are placed correctly, the grooves on top will guide the excess fat drippings into the grease tray.



CAUTION

DO NOT use an open flame to check for leaks.

Check all gas piping for leaks with a soap and water solution before operating unit.

A qualified installer who thoroughly reads, understands and follows these instructions should perform installation.

Installation must conform with local codes, or in the absence of local codes, with the *National Fuel Gas Code, ANSI Z223.1/NFPA 54*, *Liquefied Petroleum Gas Code ANSI/NFPA 58, CSA-B149.1*, or the *Propane Installation Code, CSA-B149.2* as applicable and in accordance with local codes.

The appliance and its individual shutoff valve (to be supplied by user) must be disconnected from the gas supply piping system during any pressure testing of that system at test pressures in excess of ½ psi (3.5 kPa).

The appliance must be isolated from the gas supply piping system by closing its individual manual shut-off valve during any pressure testing of the gas supply piping system at test pressures equal to or less than ½ psi (3.5 kPa).

- The installer must include a manual valve to shut off the fuel supply into the appliance.
- Pipe thread sealing compound must be resistant to the action of liquefied petroleum gases.
- Verify that the product regulator and orifice match gas type (natural gas or LPG-propane).
- Adjust pilot if necessary.
- Adjust main burner(s) if necessary.
- Adjust main burner air shutter if necessary.

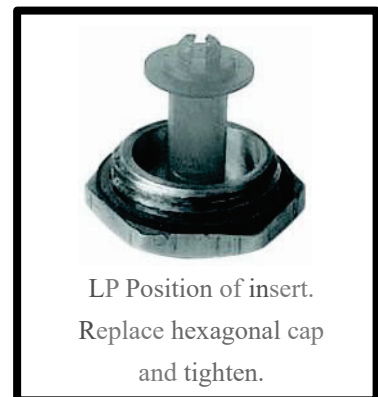
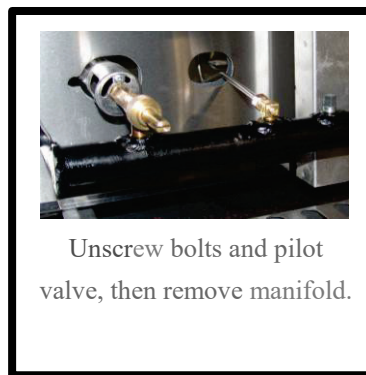
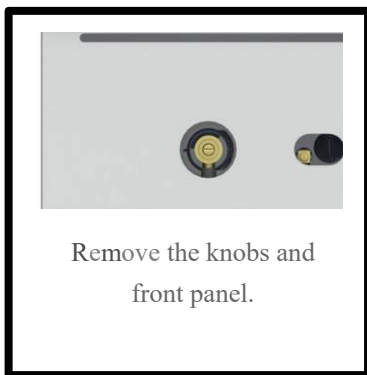
CONVERSION

Conversion to Propane (LP) / Natural Gas

Instructions are for conversion from Natural Gas to Propane (L.P.) or vice-versa. The conversion must be completed before connecting the unit to the gas supply.

Units are shipped from the factory equipped for use on natural gas. Either #49 or 50 orifices for LP (propane) are required for the conversion. If you have model set up for LP, you will need #34, 35 or 36 Natural Gas orifices.

- 1) Remove trivets, burners and replace valve orifice fittings with those marked #49 or 50 (for LP (propane) or #34, 35 or 36 for Natural Gas). Reinstall burners and trivets.
- 2) Before installing regulator, remove regulator cap and flip plastic insert attached to the underside of cap.



PILOT LIGHT & BURNER ADJUSTMENT

Note: The pilot light on the appliance has been set at the factory. A screwdriver may be required for the first lighting to adjust the flame.

1. Turn off the gas supply *valve* and wait 5 minutes to clear the gas.
2. Turn all burner control valves to the "OFF" position.
3. Hold an ignition source (match) at the pilot.
4. Open the gas supply valve. Once the pilot flame is established, remove the ignition source.
5. Turn the burner control valves to "ON". If the pilot does not ignite the burners, promptly, turn off burner control valve and increase the size of the pilot flame. If the pilot flame appears larger than necessary, turn it down and retest burner ignition. The pilot flame should be as small as possible but large enough to guarantee reliable ignition of the burners when the burner control valves are turned to "ON".

Main Burner Adjustment

Note: The pilot burners provide ignition for the main burners.

1. To light burner, turn burner control valve to "ON."
2. Adjust flame height to desired position by turning the burner control valve.
3. To turn off, turn burner control valve to "OFF".
4. To shut down appliance, turn off manual gas supply valve.

Main Burner Air Supply Adjustment

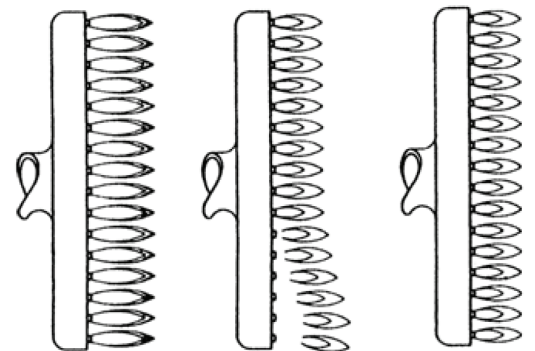
Note: For efficient burner operation, a proper balance of gas volume and primary air supply must be maintained which will result in complete combustion. Insufficient air supply results in a yellow flame. An air shutter on the front of the burner controls the mixing of air and gas.

1. Loosen the air shutter retaining screws on the front of the burner and increase the air inlet opening size to eliminate the yellow tips of the burner flame.
2. Lock the air shutter in place by tightening the screws. If flames are noisy and pale blue, reduce the air openings to eliminate the excessive mixing air intake.

Main Burner Air Supply Adjustment

The main burners should burn with a steady blue flame, and the inner cone of the flame in each port should be about 3/4" long.

Set the supply pressure to deliver the desired flame height & appearance between 3.75 to 5" WC for Natural Gas and 9.5 to 11" WC for LP.



Yellow Tips – Too little air or too much gas Blowing/Lifting Flames – Too much air Normal Flame

OPERATING INSTRUCTIONS

WARNING

Before using this equipment, it must be cleaned thoroughly. Clean all surfaces before use. Failure to clean surfaces before using the unit could cause food contamination and excessive smoking.

Never attempt to move a grill section while cooking. An unexpected flare could result in injury. Turn off unit, allow to cool, and use potholders and/or insulated gloves to move.

The space between the legs at the bottom admits combustion air. DO NOT BLOCK THIS SPACE.

CAUTION

Do not leave appliance unattended with the gas supply valve open.

Do not cover the top of the grid grates during a burn off operation. Restricting the airflow by covering the grid grates may cause them to warp. It will also cause damage to the valves, the knobs and the front panel decal.

NOTICE

When the appliance is first heated, it will smoke until oil used in manufacturing for rust or similar surface preservatives and the dust from storage and shipping are burned off. An hour at "MAX" on all burners is usually sufficient.

Main Burner Lighting Instructions

Note: The pilot burners provide ignition for the main burners.

1. To light burner, turn burner control valve to "ON".
2. Adjust flame height to desired position by turning the burner control valve.
3. To turn off, turn burner control valve to "OFF". Wait 5 minutes before attempting to relight the burners.
4. To shut down appliance, turn off manual gas supply valve.

Appliance Operation

1. Turn the burners on about 15-20 minutes before cooking for preheating.
2. Set the knobs to the desired flame height or temperature.
3. Each valve will control the gas flow to the burner to bring that area of the unit up to the set temperature.
4. If different temperature settings are to be used, adjoining areas should be set at progressively higher temperatures using the lowest temperatures on the outside burners.

Commissioning Metrics After Field Adjustment

Fuel Type _____

Gas Pressure set at _____ " WC

Orifice Size _____

Shut off valve installed and tested for functionality and leaks _____ Date: _____ Confirmed by: _____

Flame and air shutter set for blue flame _____

Pilot tested and inspected so it won't be blown out by local air movement or the vent hood _____

Hand held fire extinguisher accessible and approved _____

Vent hood tested for exhaust gas (CO) removal including cooking vapors _____

Vent hood includes working fire protection system _____

Model # _____

Serial # _____

Name plate matches this data _____

CLEANING AND MAINTENANCE

CAUTION

Before cleaning, turn off all valves, including gas supply valve, and allow unit to cool to room temperature.

Note: Use only non-abrasive cleaners. Abrasive cleaners could scratch the finish of your unit, marring its appearance and making it susceptible to dirt accumulation. Do not use steel wool, other abrasive cleaners or cleaners/sanitizers containing chlorine, iodine, ammonia or bromine chemicals as these will deteriorate the stainless steel and glass material and shorten the life of the unit. If the stainless steel surfaces become discolored, scrub by rubbing only in the direction of the finished grain.

Initial Cleaning - Prior to first operation.

Thoroughly wash exterior of unit using a mild detergent.

Daily Cleaning

1. Remove the grease pan, empty it and wash it with a mild detergent.
2. Clean grease buildup on grates daily or more often as needed by "burn off".
 - a) Place grates on broiler, with grid bars horizontal, facing down.
 - b) Turn the broiler on for approximately 45 minutes.
 - c) Turn off the broiler and allow it to cool for 20 Minutes.
 - d) Clean top and bottom surfaces of grate with a wire brush to remove animal fats and carbonized grease.
 - e) Clean channels on grates with a scraper.
 - f) Remove grates from broiler. Clean top surface of radiant vents with the wire brush. They may be cleaned in place.

Weekly Cleaning

1. Clean unit thoroughly. Clean stainless steel or chromed surfaces with a damp cloth and polish with a soft, dry cloth. A mild detergent may be used. To remove discolorations, use a non-abrasive cleaner.
2. To remove the drip pan, pull by handle through the opening in the front panel.
3. Burner air shutter openings must be kept clean. Main burner ports must be kept clean. Clean burners with a stiff brush.

WARNING

A qualified service technician must handle all maintenance and repair.

CAUTION

For your safety and to ensure proper operation, only use service and repair parts purchased from the manufacturer. If you have any questions or problems contact your nearest Service Representative. All burner control valves must be checked and lubricated periodically by a qualified service technician.

TROUBLESHOOTING GUIDE

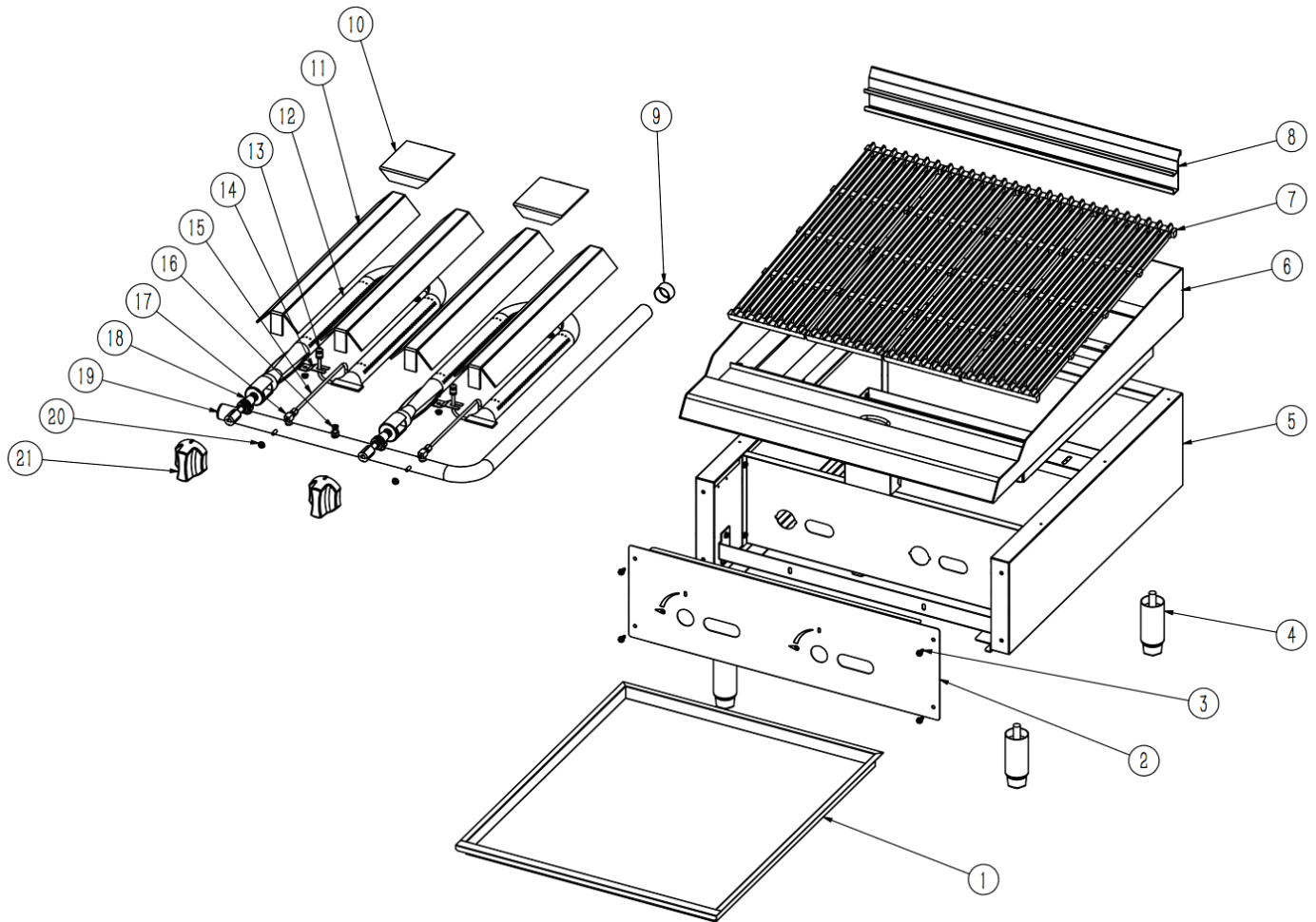
BEFORE CALLING FOR SERVICE

If the unit appears to be malfunctioning, read through the OPERATION section of this manual first. If the problem persists, see Troubleshooting below. The problem may be something very simple that can be solved without a service call.

Fault	Possible Cause	Action
Pilot doesn't light.	Pilot valve turned off.	Turn on gas supply valve.
	Pilot orifice is clogged.	Unclog pilot orifice.
Pilot burner will not stay lit.	Pilot out of adjustment.	Adjust pilot.
	Pilot orifice is clogged.	Unclog pilot orifice.
	Gas supply is not purged of air.	Have qualified service technician ensure gas supply has been purged of air.
	Air is blowing pilot light out.	Redirect any fans or nearby ventilation.
Heat does not come on when burner valve is turned on.	Pilot is not lit.	Ensure pilot is lit.
	Gas valve is bad.	Have qualified service technician check valve.
Fat appears to smoke excessively.	Heat is set to high.	Turn down heat.
	Moisture in the food may be turning into steam.	No Action.
Food sticks to grates	Heat is set to high.	Turn down heat.
	Char Broiler surface needs cleaning and/or seasoning.	Clean or season grate.
	Surface under food may not have been covered with enough cooking oil.	Add small amount of cooking oil to surface under food.
Food burned around edges or contains dark specks	Heat is set to high.	Turn down heat.
	Char Broiler surface needs cleaning and/or seasoning.	Clean or season grate.
	Surface under food may not have been covered with enough cooking oil.	Add small amount of cooking oil to surface under food.
Food is undercooked inside	Heat is set too high or too low.	Turn down heat.
	Food may not have been cooked for long enough time.	Cook food longer.
Food tastes greasy or has objectionable off-flavor.	Heat is set too low.	Turn up heat.
	Too much fat used.	Use less cooking oil.
	Food itself may have objectionable flavor.	Replace with properly tasting food.
	Food may have been stored improperly.	Replace with properly stored food.

EXPLODED VIEW & PARTS LIST

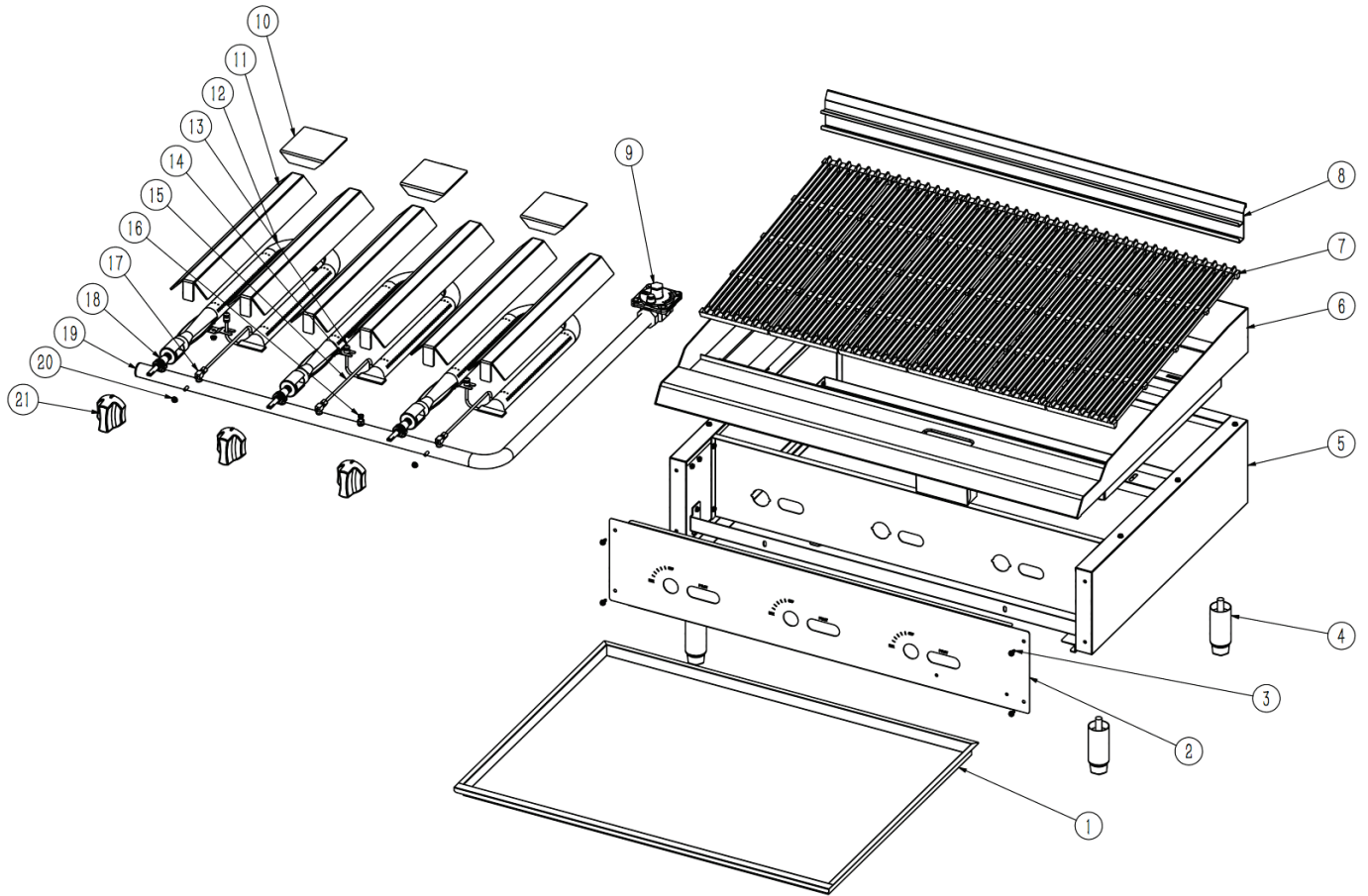
24" 2-Burner



No.	Description	No.	Description
1	Crumb tray	12	U-shape burner
2	Front cover control panel	13	Pilot light
3	Nut	14	Pilot light support
4	Adjustable feet	15	Pilot pipe
5	Main body	16	Gas pressure nozzle
6	Liner	17	Pilot valve
7	Top grate	18	Burner valve
8	Top grate support	19	Manifold pipe
9	Gas regulator	20	Nut
10	Burner radiant top	21	Burner knob
11	Burner radiant		

EXPLODED VIEW & PARTS LIST (cont.)

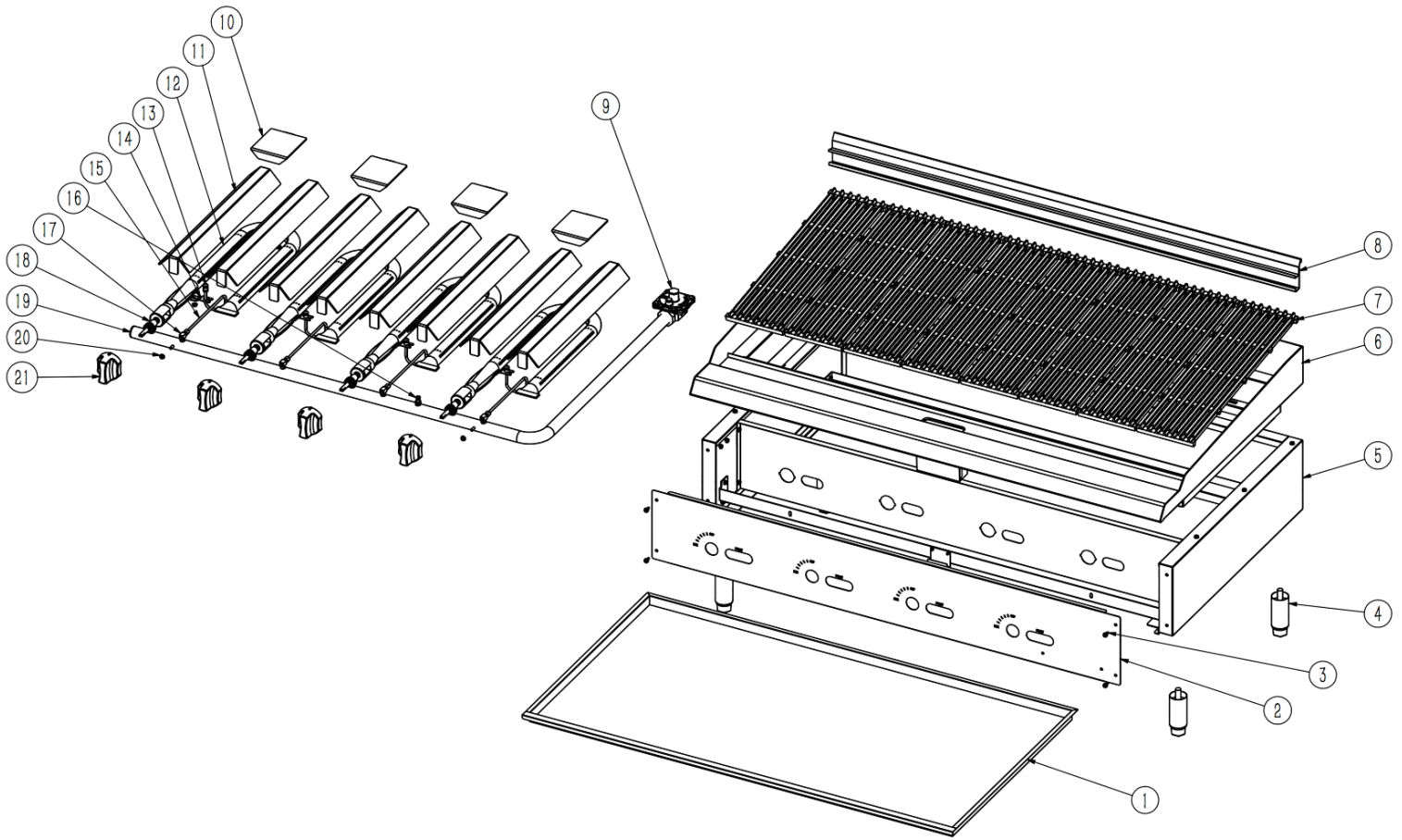
36" 3-Burner



No.	Description	No.	Description
1	Crumb tray	12	U-shape burner
2	Front cover control panel	13	Pilot light
3	Nut	14	Pilot light support
4	Adjustable feet	15	Pilot pipe
5	Main body	16	Gas pressure nozzle
6	Liner	17	Pilot valve
7	Top grate	18	Burner valve
8	Top grate support	19	Manifold pipe
9	Gas regulator	20	Nut
10	Burner radiant top	21	Burner knob
11	Burner radiant		

EXPLODED VIEW & PARTS LIST (cont.)

48" 4-Burner



No.	Description	No.	Description
1	Crumb tray	12	U-shape burner
2	Front cover control panel	13	Pilot light
3	Nut	14	Pilot light support
4	Adjustable feet	15	Pilot pipe
5	Main body	16	Gas pressure nozzle
6	Liner	17	Pilot valve
7	Top grate	18	Burner valve
8	Top grate support	19	Manifold pipe
9	Gas regulator	20	Nut
10	Burner radiant top	21	Burner knob
11	Burner radiant		

Table des matières

RENSEIGNEMENTS SUR LE NUMÉRO DE SÉRIE	18
SÉCURITÉ DE L'APPAREIL	19
MESURES DE PROTECTION IMPORTANTES	20
DIMENSIONS	21
RENSEIGNEMENTS TECHNIQUES	21
INSTRUCTIONS D'INSTALLATION	22
ASSEMBLAGE	23
CONVERSION	24
RÉGLAGE DE LA VEILLEUSE ET DU BRÛLEUR.....	25
MODE D'EMPLOI	25
NETTOYAGE ET ENTRETIEN.....	27
GUIDE DE DÉPANNAGE	28
VUE ÉCLATÉE ET LISTE DES PIÈCES	29-31

Conservez la preuve datée de la facture d'achat qui détermine la période de garantie de l'appareil.

N° de SÉRIE : _____

N° de MODÈLE : _____ DATE D'ACHAT : _____

RENSEIGNEMENTS SUR LE NUMÉRO DE SÉRIE

- Le numéro de série de l'appareil est situé en bas du côté droit de l'unité.
- Vous devez toujours avoir le numéro de série de votre appareil à portée de la main lorsque vous appelez pour demander des pièces ou un service.
- Ce manuel concerne les appareils standards uniquement. Si vous avez un appareil sur mesure, veuillez communiquer avec le service à la clientèle, au numéro indiqué sur la page de garde.

**LISEZ CE MANUEL ENTIÈREMENT
POUR VOUS AIDER À VOUS FAMILIARISER AVEC VOTRE NOUVEL ÉQUIPEMENT AVANT
DE L'UTILISER.**

Nous avons fourni de nombreux messages de sécurité importants dans ce manuel.

Lisez et respectez toujours tous les messages de sécurité.

Comprendre les messages de sécurité permettra de vous avertir des dangers potentiels et vous indiquera comment réduire le risque de blessure. Suivez les instructions énoncées dans ce manuel.

En raison de modifications régulières apportées aux conceptions, méthodes, procédures, politiques et réglementations, le contenu de ce manuel est susceptible d'être modifié sans préavis. Bien que nous nous efforcions de bonne foi à fournir des renseignements exacts, nous ne sommes pas responsables des erreurs ou omissions présentées par les renseignements fournis ni des conclusions tirées suite à l'utilisation de ce manuel de référence. Par son utilisation des renseignements fournis, l'utilisateur assume tous les risques associés à une telle utilisation.

SÉCURITÉ DE L'APPAREIL

Votre sécurité et celle des autres sont extrêmement importantes.

Lisez et respectez toujours tous les messages de sécurité contenus dans ce manuel.



Voici le symbole d'alerte de sécurité. Ce symbole vous avertit de dangers potentiels qui pourraient vous blesser ou vous tuer ainsi que d'autres personnes. Tous les messages de sécurité suivront le symbole d'alerte de sécurité et l'un des mots suivants, « **DANGER** », « **AVERTISSEMENT** » ou « **ATTENTION** ».

DANGER

DANGER signifie qu'un manque à respecter cette déclaration de sécurité peut entraîner la mort ou des blessures corporelles graves.

AVERTISSEMENT

AVERTISSEMENT signifie qu'un manque à respecter cette déclaration de sécurité peut entraîner des dommages matériels considérables, des blessures corporelles graves ou la mort.

ATTENTION

ATTENTION signifie qu'un manque à respecter cette déclaration de sécurité peut entraîner des blessures plus ou moins graves ou des dommages aux biens ou à l'équipement.

Tous les messages de sécurité vous alerteront en quoi le danger potentiel consiste, vous indiqueront comment réduire le risque de blessure et vous aviseront de ce qui pourrait se produire si vous ne suivez pas les instructions.



REMARQUE : CONSIGNES DE SÉCURITÉ IMPORTANTES

AVERTISSEMENT Pour réduire le risque d'incendie ou de blessure lorsque vous utilisez votre appareil, veuillez respecter ces précautions de base :

- Si vous sentez une odeur de gaz, fermez le robinet d'arrêt, ouvrez les fenêtres, aérez et évacuez l'endroit immédiatement.
- Ne touchez pas les interrupteurs ou fiches électriques. Éteignez toutes les flammes nues. Communiquez immédiatement avec votre fournisseur de gaz.
- N'entrez pas de liquides inflammables à proximité de cet appareil.
- L'appareil doit être utilisé uniquement sur une surface plane et de niveau.
- Gardez les combustibles éloignés de l'appareil.
- Laissez l'appareil refroidir avant de le nettoyer ou le déplacer.
- Un manque à installer, régler ou entretenir cet équipement correctement peut entraîner des blessures ou la mort.
- Une installation, un réglage, une modification, un service ou un entretien inadéquats peuvent causer des dommages matériels, des blessures ou la mort. Faites installer et régler cet équipement par un technicien à l'entretien et en réparation qualifié pour assurer la conformité à tous les codes fédéraux, provinciaux et locaux.
- Veuillez lire les instructions d'installation, d'utilisation et d'entretien avec soin avant d'installer ou de réparer cet équipement.
- Un technicien à l'entretien et en réparation qualifié doit s'occuper de tous les services d'entretien et de réparation.

CONSERVEZ CES CONSIGNES

MESURES DE PROTECTION IMPORTANTES



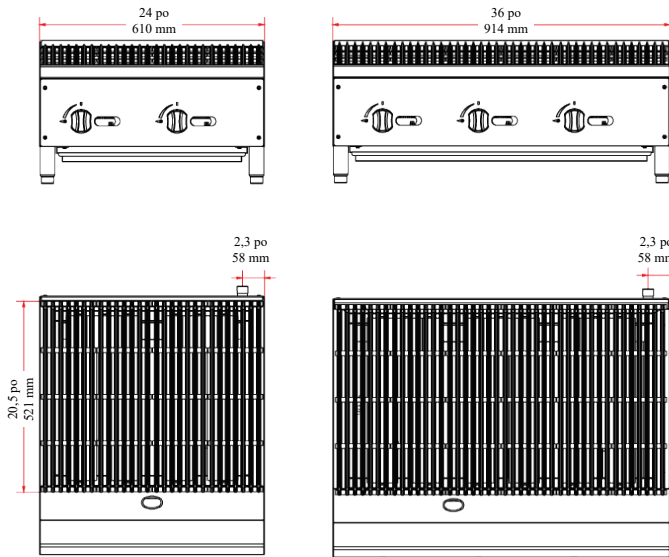
Avant d'utiliser l'appareil, il faut le placer et l'installer correctement selon les instructions de ce manuel que vous devez donc lire avec attention. Nous recommandons fortement que vous fassiez appel à un technicien à l'entretien et en réparation qualifié pour l'installation de votre nouvel appareil. Une mauvaise installation pourrait nuire à la garantie ou l'annuler. Pour réduire le risque d'incendie ou de blessure lorsque vous utilisez votre appareil, veuillez respecter les précautions de base, y compris les suivantes :

ATTENTION

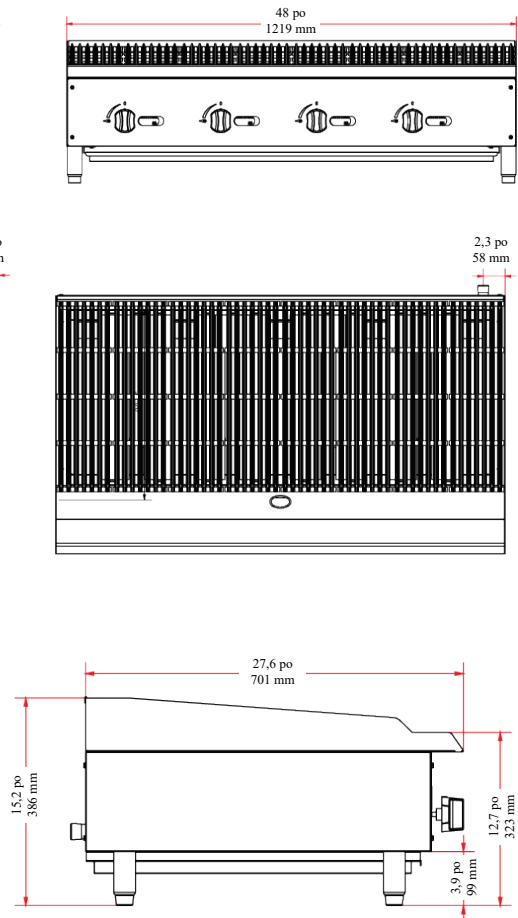
- Ne nettoyez jamais les pièces de l'appareil avec des fluides inflammables. N'entreposez ou n'utilisez aucune essence ou autres vapeurs et liquides inflammables à proximité de cet appareil ou de tout autre appareil ménager. Les vapeurs pourraient entraîner un risque d'incendie ou d'explosion.
- Débranchez la conduite de gaz avant tout nettoyage ou entretien et réparation. Un manque à le faire peut entraîner un incendie ou des blessures.
- Ne laissez pas l'appareil sans surveillance si le robinet de gaz principal est ouvert.
- Cet appareil est conçu pour être utilisé avec des pieds. Ne l'utilisez pas sans pieds. Utiliser cet équipement sans pieds peut entraîner la surchauffe de l'appareil et causer un incendie.
- Si l'appareil est placé sur une table ou un socle amovible, il requiert un tuyau à débranchement rapide et un câble de retenue pour un fonctionnement sécuritaire.
- Il faut nettoyer complètement cet équipement avant de l'utiliser. Nettoyez toutes les surfaces avant toute utilisation.
- Un manque à nettoyer les surfaces avant d'utiliser l'appareil peut causer la contamination des aliments et un excès de fumée.
- Ne pulvérisez pas des liquides ou agents nettoyants sur les commandes ou l'extérieur de l'appareil.
- N'utilisez PAS de flamme nue pour rechercher les fuites. Inspectez toute la conduite de gaz pour rechercher les fuites à l'aide d'une solution d'eau savonneuse avant d'utiliser l'appareil.
- Cet appareil doit être installé et situé correctement, conformément aux instructions d'installation, avant d'être utilisé.
- Il est important que l'appareil soit bien mis de niveau pour fonctionner correctement. Il se peut que vous ayez à effectuer plusieurs réglages pour le mettre de niveau.
- Retirez le matériau d'emballage et nettoyez l'appareil avant l'utilisation.
- N'utilisez pas cet appareil à des fins autres que celles pour lesquelles il est conçu.
- L'apparition de fumée lors de la première utilisation de l'appareil est normale. C'est le résultat du revêtement antirouille qui brûle. Laissez l'appareil « brûler » pendant au moins 30 minutes avant la première utilisation.

DIMENSIONS

610 mm (24 po) à 2 brûleurs **914 mm (36 po) à 3 brûleurs**



1219 mm (48 po) à 4 brûleurs



RENSEIGNEMENTS TECHNIQUES

	610 mm (24 po) à 2 brûleurs		914 mm (36 po) à 3 brûleurs		1219 mm (48 po) à 4 brûleurs	
Nombre de brûleurs et BTU	2 brûleurs @ 35 000 BTU		3 brûleurs @ 35 000 BTU		4 brûleurs @ 35 000 BTU	
Total BTU / heure	70 000 BTU par heure		105 000 BTU par heure		140 000 BTU par heure	
Raccordement du tuyau	1,9 cm (0,75 po)		1,9 cm (0,75 po)		1,9 cm (0,75 po)	
po : Dimensions (l x P x H)	24 x 27,6 x 15,2		36 x 27,6 x 15,2		48 x 27,6 x 15,2	
mm : Dimensions (l x P x H)	610 x 701 x 386		914 x 701 x 386		1 219 x 701 x 386	
Poids d'expédition	67 kg (147 lb)		93 kg (205 lb)		116 kg (256 lb)	
Taille de l'orifice (plage)	LP (propane liquide)	GN (gaz naturel)	LP (propane liquide)	GN (gaz naturel)	LP (propane liquide)	GN (gaz naturel)
	49 ou 50	34, 35 ou 36	49 ou 50	34, 35 ou 36	49 ou 50	34, 35 ou 36

INSTRUCTIONS D'INSTALLATION

DANGER

Un manque à installer, régler ou entretenir cet équipement correctement peut entraîner des blessures ou la mort. Une installation, un réglage, une modification, un service ou un entretien inadéquats peuvent causer des dommages matériels, des blessures ou la mort. Faites installer et régler cet équipement par un technicien à l'entretien et en réparation qualifié conformément à tous les codes fédéraux, provinciaux et locaux.

AVERTISSEMENT

Veillez lire les instructions d'installation, d'utilisation et d'entretien avec soin avant d'installer ou de réparer cet équipement.

ATTENTION

Cet appareil est conçu pour être utilisé avec des pieds. Ne l'utilisez pas sans pieds. Utiliser cet équipement sans pieds peut entraîner la surchauffe de l'appareil et causer un incendie.

Déballage

INSPECTEZ IMMÉDIATEMENT POUR VÉRIFIER QUE L'ÉQUIPEMENT N'A PAS ÉTÉ ENDOMMAGÉ EN COURS DE TRANSPORT

Tous les conteneurs doivent être examinés avant et pendant le déchargement. Le transporteur de fret assume toute responsabilité pour le transport et la livraison en toute sécurité. Si l'équipement est reçu endommagé, que le dommage soit visible ou dissimulé, vous devez faire une réclamation auprès du transporteur effectuant la livraison.

- A) Des dommages ou pertes visibles doivent être noté(e)s sur la facture de transport au moment de la livraison. Le représentant (conducteur) du transporteur doit ensuite signer la facture. Sinon, le transporteur pourrait refuser la réclamation. Le transporteur peut fournir les formulaires nécessaires.
- B) En cas de dommages ou pertes dissimulé(e)s, s'ils ne sont pas visibles au moment où l'équipement est sorti des caisses, il faut faire une demande d'inspection auprès du transporteur dans les 15 jours. Le transporteur doit organiser une inspection. Veillez à conserver tout le contenu et les matériaux d'emballage.

Installation mobile

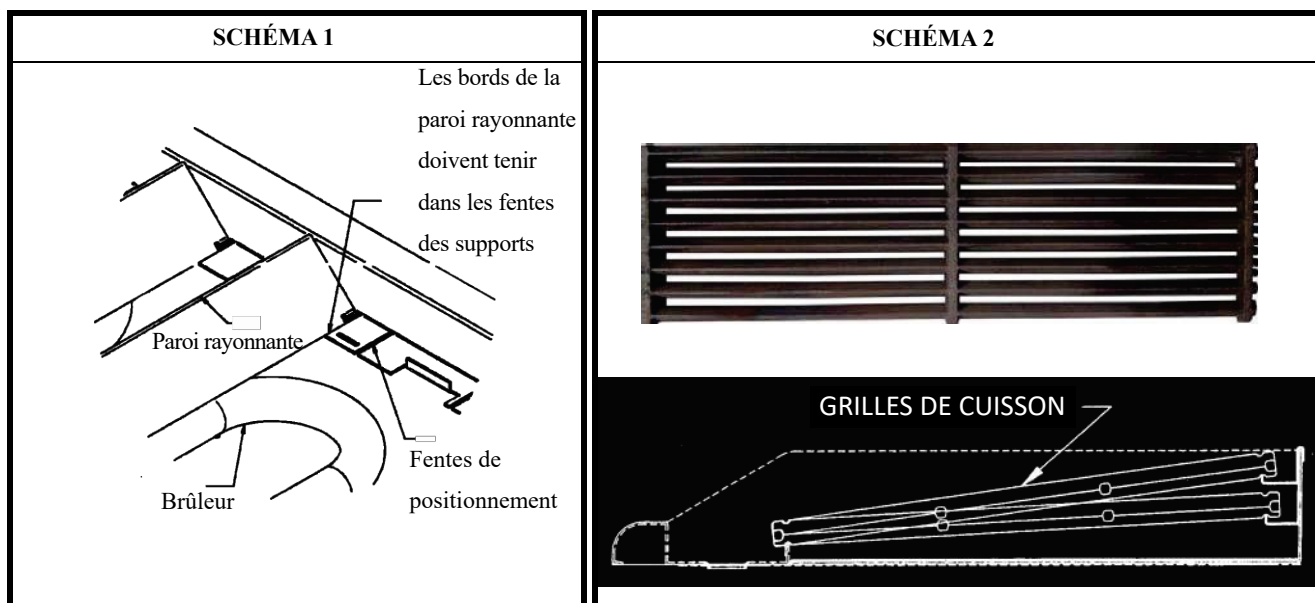
Cet appareil pour dessus de comptoir peut être placé sur un socle d'équipement mobile (dessus en acier inoxydable) ou une base réfrigérée, ce qui permet le nettoyage des alentours ou une réparation à distance de l'appareil. Une installation mobile requiert un câble de retenue passif pour tuyau d'alimentation à branchement rapide et un pare-chocs pour conformité à toutes les ordonnances et réglementations en vigueur.

Veillez à faire inspecter et approuver votre installation, y compris celle de la hotte à évacuation, par un fonctionnaire/les autorités locales du code du bâtiment.

(Pour optimiser la hauteur d'utilisation de la surface de cuisson, il peut être souhaitable d'acheter un ensemble de roulettes plus courtes autorisées par le fabricant pour le socle ou la base réfrigérée de votre équipement mobile. Remplacer par un autre type de roulette ou ne pas utiliser un tuyau d'alimentation flexible avec clapet anti-retour de coupure approuvé et inspecté annulera la garantie de l'appareil)

ASSEMBLAGE

1. Vissez les pieds dans les écrous fixés en permanence aux quatre coins de l'appareil et serrez à la main.
2. Mettez l'appareil de niveau en tournant la vis de réglage en bas de chaque pied. Ne faites pas glisser l'appareil avec les pieds attachés; soulevez l'appareil pour le déplacer.
3. Mettez les parois rayonnantes en place comme illustré sur le schéma 1. Assurez-vous que les parois reposent correctement dans les fentes des supports avant et arrière. Les parois doivent être centrées au-dessus de la section rectiligne des brûleurs.
4. Placez les grilles de cuisson supérieures avec les barres des grilles inclinées vers l'avant comme illustré sur le schéma 2. REMARQUE : Lorsque les grilles de cuisson sont placées correctement, les rainures du dessus guideront l'excès de graisse dans le plateau à graisse.



ATTENTION

N'utilisez PAS de flamme nue pour rechercher les fuites.

Inspectez toute la conduite de gaz pour rechercher les fuites à l'aide d'une solution d'eau savonneuse avant d'utiliser l'appareil. Un installateur qualifié qui lit, comprend et respecte complètement ces consignes doit réaliser l'installation.

L'installation doit être conforme aux codes locaux ou, en leur absence, au *National Fuel Gas Code*, à la norme Z223.1/NFPA 54 de l'ANSI, au *code relatif aux gaz de pétrole liquéfiés l'ANSI/NFPA 58*, à la norme CSA-B149.1 ou au *code d'installation au propane*, à la norme CSA-B149.2 applicable et conformément aux codes locaux.

L'appareil et son robinet d'arrêt individuel (à fournir par l'utilisateur) doivent être déconnectés du système de conduite d'alimentation en gaz, lorsque les pressions de test de ce système dépassent 3,5 kPa (½ psi).

L'appareil doit être isolé du système de conduite d'alimentation en gaz en fermant son robinet d'arrêt individuel lorsque la pression de test du système de conduite d'alimentation en gaz est égale ou inférieure à 3,5 kPa (½ psi).

- L'installateur doit ajouter un robinet à commande manuelle pour arrêter l'alimentation en gaz dans l'appareil.
- Le mastic d'étanchéité pour joints filetés de conduite doit résister à l'action des gaz de pétrole liquéfiés.
- Vérifiez que le régulateur et l'orifice du produit correspondent au type de gaz (gaz naturel ou propane-gaz de pétrole liquéfié).
- Réglez la veilleuse au besoin.
- Réglez le(s) brûleur(s) principal(aux) au besoin.
- Réglez l'obturateur d'air du brûleur principal au besoin.

CONVERSION

Conversion au gaz propane liquide (LP) / gaz naturel (GN)

Les instructions concernent la conversion du gaz naturel au propane liquide (LP) ou vice-versa. La conversion doit être réalisée avant de connecter l'appareil à l'alimentation en gaz.

Les appareils sont expédiés de l'usine, conçus pour une utilisation au gaz naturel. L'orifice n° 49 ou 50 pour LP (propane) sont requis pour la conversion. Si vous avez un modèle configuré pour LP, vous avez besoin d'un orifice pour gaz naturel n° 34, 35 ou 36.

- 1) Retirez les trépieds, les brûleurs et remplacez les raccords d'orifices de robinet par ceux qui sont marqués n° 49 ou 50 (pour LP [propane]) ou n° 34, 35 ou 36 pour le gaz naturel). Installez à nouveau les brûleurs et trépieds.
- 2) Avant d'installer le régulateur, retirez le couvercle du régulateur et inversez l'insert en plastique fixé au dessous du couvercle.



RÉGLAGE DE LA VEILLEUSE ET DU BRÛLEUR

Remarque : La veilleuse de l'appareil est configurée en usine. Un tournevis peut s'avérer nécessaire lors du premier allumage pour régler la flamme.

1. Fermez le robinet d'alimentation en gaz et attendez 5 minutes pour éliminer tout le gaz.
2. Tournez tous les robinets de commande de brûleur en position « OFF (ARRÊT) ».
3. Tenez une source d'inflammation (allumette) à la veilleuse.
4. Ouvrez le robinet d'alimentation en gaz. Une fois que la veilleuse est allumée, retirez la source d'inflammation.
5. Tournez les robinets de commande de brûleur en position « ON (MARCHE) ». Si la veilleuse n'allume pas les brûleurs, fermez rapidement le robinet de commande de brûleur et augmentez la taille de la flamme de veilleuse. Si la flamme de veilleuse semble plus grande que nécessaire, réduisez-la et vérifiez à nouveau l'inflammation des brûleurs. La flamme de veilleuse doit être la plus petite possible mais suffisamment grande pour assurer une inflammation fiable des brûleurs lorsque les robinets de commande de brûleur sont tournés sur « ON (MARCHE) ».

Réglage du brûleur principal

Remarque : Les brûleurs de veilleuse permettent d'allumer les brûleurs principaux.

1. Pour allumer le brûleur, tournez le robinet de commande de brûleur sur « ON (MARCHE) ».
2. Réglez la flamme à la hauteur souhaitée en tournant le robinet de commande de brûleur.
3. Pour éteindre, tournez le robinet de commande de brûleur sur « OFF (ARRÊT) ».
4. Pour éteindre l'appareil, fermez le robinet d'alimentation en gaz à commande manuelle.

Réglage de l'alimentation en air du brûleur principal

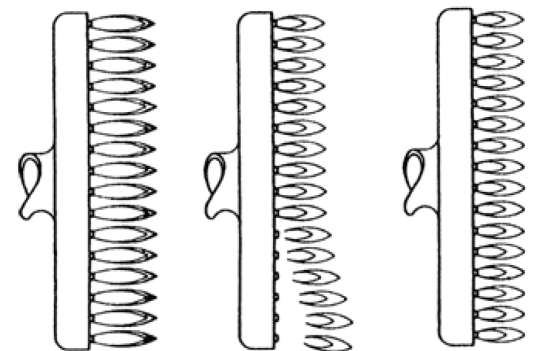
Remarque : Pour un fonctionnement efficace du brûleur, il faut maintenir un équilibre adéquat du volume de gaz et de l'alimentation principale en air, ce qui résulte en une combustion totale. Une alimentation en air insuffisante produit une flamme blanche. Un obturateur d'air à l'avant du brûleur contrôle le mélange d'air et de gaz.

1. Desserrez les vis de retenue de l'obturateur d'air à l'avant du brûleur et augmentez l'ouverture d'entrée d'air pour éliminer les pointes blanches de la flamme du brûleur.
2. Verrouillez l'obturateur d'air en place en serrant les vis. Si les flammes sont bruyantes et bleu pâle, réduisez les ouvertures d'air pour éliminer l'entrée d'air de brassage excessive.

Réglage de l'alimentation en air du brûleur principal

Les brûleurs principaux doivent brûler avec une flamme bleue stable et le cône interne de la flamme de chaque port doit mesurer environ 1,9 cm ($\frac{3}{4}$ po) de long.

Régalez la pression d'alimentation pour produire la hauteur et l'apparence de flamme souhaitées, soit une colonne d'eau mesurant entre 9,52 cm (3,75 po) et 12,7 cm (5 po) pour le gaz naturel et entre 24,13 cm (9,5 po) et 27,94 cm (11 po) pour le LP.



Pointes
blanches – trop
peu d'air ou
trop de gaz

Flammes
décochées ou
soufflées –
Trop d'air

Flamme
normale

MODE D'EMPLOI

AVERTISSEMENT

Il faut nettoyer complètement cet équipement avant de l'utiliser. Nettoyez toutes les surfaces avant toute utilisation. Un manque à nettoyer les surfaces avant d'utiliser l'appareil peut causer la contamination des aliments et un excès de fumée.

Ne tentez jamais de déplacer une section de la grille pendant la cuisson. Une flambée de torche inattendue peut entraîner des blessures. Éteignez l'appareil, laissez-le refroidir et servez-vous de poignées ou de gants isolants pour le déplacer.

L'espace entre les pieds en bas laisse pénétrer l'air de combustion. NE BLOQUEZ PAS CET ESPACE.

ATTENTION

Ne laissez pas l'appareil sans surveillance si le robinet d'alimentation en gaz est ouvert.

Ne recouvrez pas le dessus des grilles de cuisson pendant le décapage par brûlage. Restreindre le débit d'air en recouvrant les grilles de cuisson peut les déformer. Une telle action endommagerait également les robinets, les boutons et la décalcomanie du panneau avant.

AVIS

Lorsque l'appareil est chauffé pour la première fois, il émettra de la fumée jusqu'à ce que l'huile utilisée au cours de la fabrication comme anti-rouille ou autres agents de préservation de surface similaires et la poussière résultant de l'entreposage et du transport aient brûlé. Il suffit en général d'une heure sur « MAX » pour tous les brûleurs.

Instructions d'allumage du brûleur principal

Remarque : Les brûleurs de veilleuse permettent d'allumer les brûleurs principaux.

1. Pour allumer le brûleur, tournez le robinet de commande de brûleur sur « ON (MARCHE) ».
2. Réglez la flamme à la hauteur souhaitée en tournant le robinet de commande de brûleur.
3. Pour éteindre, tournez le robinet de commande de brûleur sur « OFF (ARRÊT) ». Attendez 5 minutes avant de tenter d'allumer à nouveau les brûleurs.
4. Pour éteindre l'appareil, fermez le robinet d'alimentation en gaz à commande manuelle.

Fonctionnement de l'appareil

1. Allumez les brûleurs pendant environ 15 à 20 minutes avant la cuisson pour préchauffer.
2. Réglez les boutons à la hauteur ou température de flamme souhaitée.
3. Chaque robinet contrôlera le débit de gaz au brûleur pour permettre à cette section de l'appareil d'atteindre la température de réglage.
4. Si des configurations de températures différentes doivent être utilisées, il faut régler les surfaces voisines à des températures progressivement plus hautes en utilisant les températures les plus basses sur les brûleurs extérieurs.

Paramètres de mise en service après un réglage sur le terrain

Type de carburant _____

Pression de gaz réglée sur une colonne d'eau de _____ cm (_____ po)

Taille de l'orifice _____

Robinet d'arrêt installé et testé pour assurer qu'il fonctionne et ne fuit pas Date _____ Confirmé par : _____

Flamme et obturateur d'air réglés pour une flamme bleue _____

Veilleuse testée et inspectée pour assurer qu'elle ne s'éteigne pas en raison d'un mouvement de l'air local ou de la hotte à évacuation _____

Extincteur portatif accessible et approuvé _____

Hotte d'évacuation testée pour le retrait du gaz d'échappement (CO), y compris les vapeurs de cuisson _____

La hotte d'évacuation comprend un système de protection contre l'incendie en état de fonctionnement _____

N° de modèle _____

N° de série _____

La plaque signalétique correspond à ces données _____

NETTOYAGE ET ENTRETIEN

ATTENTION

Avant de nettoyer, fermez tous les robinets, y compris le robinet d'alimentation en gaz et laissez l'appareil refroidir à la température ambiante.

Remarque : Utilisez uniquement des nettoyeurs non abrasifs. Les nettoyeurs abrasifs peuvent érafler le fini de votre appareil en maculant son apparence et le rendant susceptible à l'accumulation de saleté. N'utilisez pas de laine de verre, d'autres nettoyeurs abrasifs, nettoyeurs ou agents d'assainissement contenant du chlore, de l'iode, de l'ammoniac ou des produits chimiques au brome, puisque ceux-ci pourraient détériorer les matériaux en acier inoxydable et en verre et raccourcir la durée de vie de l'appareil. Si les surfaces en acier inoxydable se décolorent, frottez-les en allant uniquement dans la direction du grain fini.

Premier nettoyage - avant la première utilisation.

Lavez complètement l'extérieur de l'appareil avec un détergent doux.

Nettoyage quotidien

1. Retirez le bac à graisse, videz-le et lavez-le avec un détergent doux.
2. Nettoyez l'accumulation de graisse sur les grilles chaque jour ou plus selon les besoins du « décapage par brûlage ».
 - a) Placez les grilles sur le brûleur avec les barres des grilles placées horizontalement et faisant face au bas.
 - b) Allumez le brûleur pendant environ 45 minutes.
 - c) Éteignez le brûleur et laissez-le refroidir pendant 20 minutes.
 - d) Nettoyez les surfaces supérieure et inférieure de la grille de cuisson avec une brosse métallique pour retirer les graisses animales et la graisse carbonisée.
 - e) Nettoyez les rainures des grilles de cuisson avec un racloir.
 - f) Retirez les grilles de cuisson du brûleur. Nettoyez la surface supérieure des événements des parois rayonnantes avec la brosse métallique. Ils peuvent être nettoyés sur place.

Nettoyage hebdomadaire

1. Nettoyez minutieusement l'appareil. Nettoyez les surfaces en acier inoxydable ou chrome avec un linge humide et polissez avec un linge doux et sec. Vous pouvez utiliser un détergent doux. Pour éliminer les décolorations, utilisez un nettoyeur non abrasif.
2. Pour retirer le bac à graisse, tirez-le par la poignée par l'ouverture du panneau avant.
3. Il faut garder les ouvertures de l'obturateur d'air des brûleurs propres. Il faut garder les ports des brûleurs propres. Nettoyez les brûleurs avec une brosse rigide.

AVERTISSEMENT

Un technicien à l'entretien et en réparation qualifié doit effectuer tous les services d'entretien et de réparation.

ATTENTION

Pour assurer votre sécurité et le bon fonctionnement du produit, utilisez uniquement un service et des pièces de rechange fourni(es) par le fabricant. Pour toute question ou problème, veuillez contacter votre préposé de service le plus proche. Tous les robinets de commande des brûleurs doivent être examinés et lubrifiés régulièrement par un technicien à l'entretien et en réparation qualifié.

GUIDE DE DÉPANNAGE

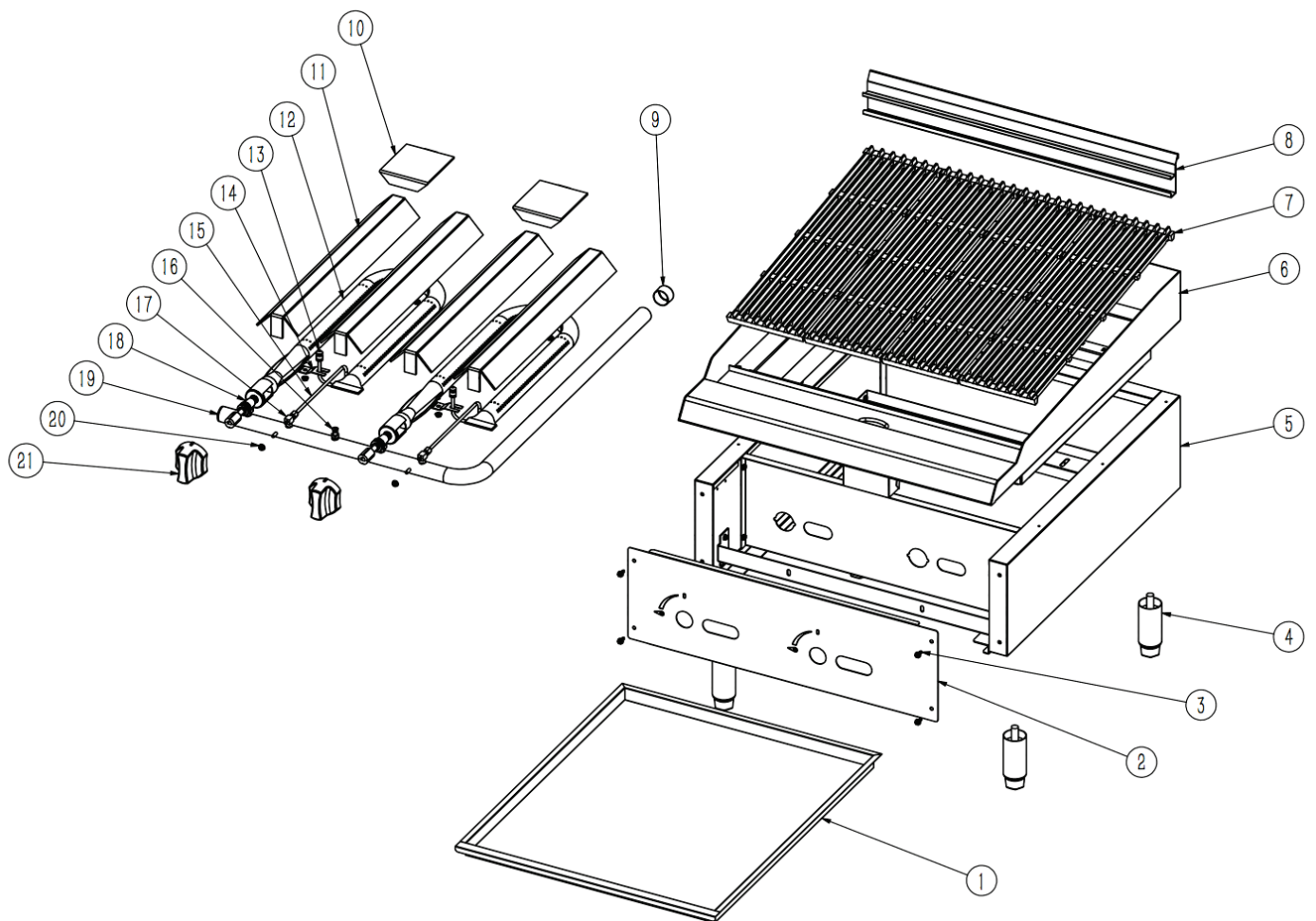
AVANT DE FAIRE UNE DEMANDE DE SERVICE

Si l'appareil semble mal fonctionner, lisez tout d'abord entièrement la section MODE D'EMPLOI de ce manuel. Si le problème persiste, voir le Dépannage ci-dessous. Il se peut qu'il s'agisse d'un problème très simple pouvant être résolu sans appel de service.

Défaut	Cause possible	Mesure
La veilleuse ne s'allume pas.	La vanne d'arrêt de sécurité de la veilleuse est fermée.	Ouvrez le robinet d'alimentation en gaz.
	L'orifice de la veilleuse est bouché.	Débouchez l'orifice de la veilleuse.
Le brûleur de la veilleuse ne reste pas allumé.	La veilleuse est dérégulée.	Réglez la veilleuse.
	L'orifice de la veilleuse est bouché.	Débouchez l'orifice de la veilleuse.
	L'air n'a pas été éliminé de l'alimentation en gaz.	Demandez à un technicien à l'entretien et en réparation qualifié de s'assurer que l'air a été éliminé de l'alimentation en gaz.
	L'air éteint la veilleuse.	Réorientez tous les ventilateurs ou l'aération à proximité.
La chaleur ne démarre pas lorsque le robinet de commande du brûleur est ouvert.	La veilleuse n'est pas allumée.	Assurez-vous que la veilleuse est allumée.
	Le robinet de gaz est défaillant.	Faites appel à un technicien à l'entretien et en réparation qualifié pour examiner le robinet de gaz.
La graisse semble produire un excès de fumée.	La chaleur est réglée trop haut.	Baissez la chaleur.
	L'humidité des aliments peut se transformer en vapeur.	Rien à faire.
Les aliments collent aux grilles.	La chaleur est réglée trop haut.	Baissez la chaleur.
	La surface du grilloir a besoin d'être nettoyée et/ou huilée.	Nettoyez ou huilez la grille.
	Il se peut que la surface sous les aliments n'ait pas été recouverte de suffisamment d'huile de cuisson.	Ajoutez une petite quantité d'huile de cuisson à la surface sous les aliments.
Aliments brûlés sur les contours ou contenant des taches foncées.	La chaleur est réglée trop haut.	Baissez la chaleur.
	La surface du grilloir a besoin d'être nettoyée et/ou huilée.	Nettoyez ou huilez la grille.
	Il se peut que la surface sous les aliments n'ait pas été recouverte de suffisamment d'huile de cuisson.	Ajoutez une petite quantité d'huile de cuisson à la surface sous les aliments.
Les aliments ne sont pas suffisamment cuits à l'intérieur.	La chaleur est réglée trop haut ou trop bas.	Baissez la chaleur.
	Il se peut que les aliments n'aient pas cuit suffisamment longtemps.	Faites cuire les aliments plus longtemps.
Les aliments ont un goût de graisse ou un goût bizarre désagréable.	La chaleur est réglée trop bas.	Augmentez la chaleur.
	Trop de graisse utilisée.	Utilisez moins d'huile de cuisson.
	Il se peut que les aliments eux-mêmes aient mauvais goût.	Remplacez-les par des aliments qui ont bon goût.
	Il se peut que les aliments aient été mal entreposés.	Remplacez-les par des aliments bien entreposés.

VUE ÉCLATÉE ET LISTE DES PIÈCES

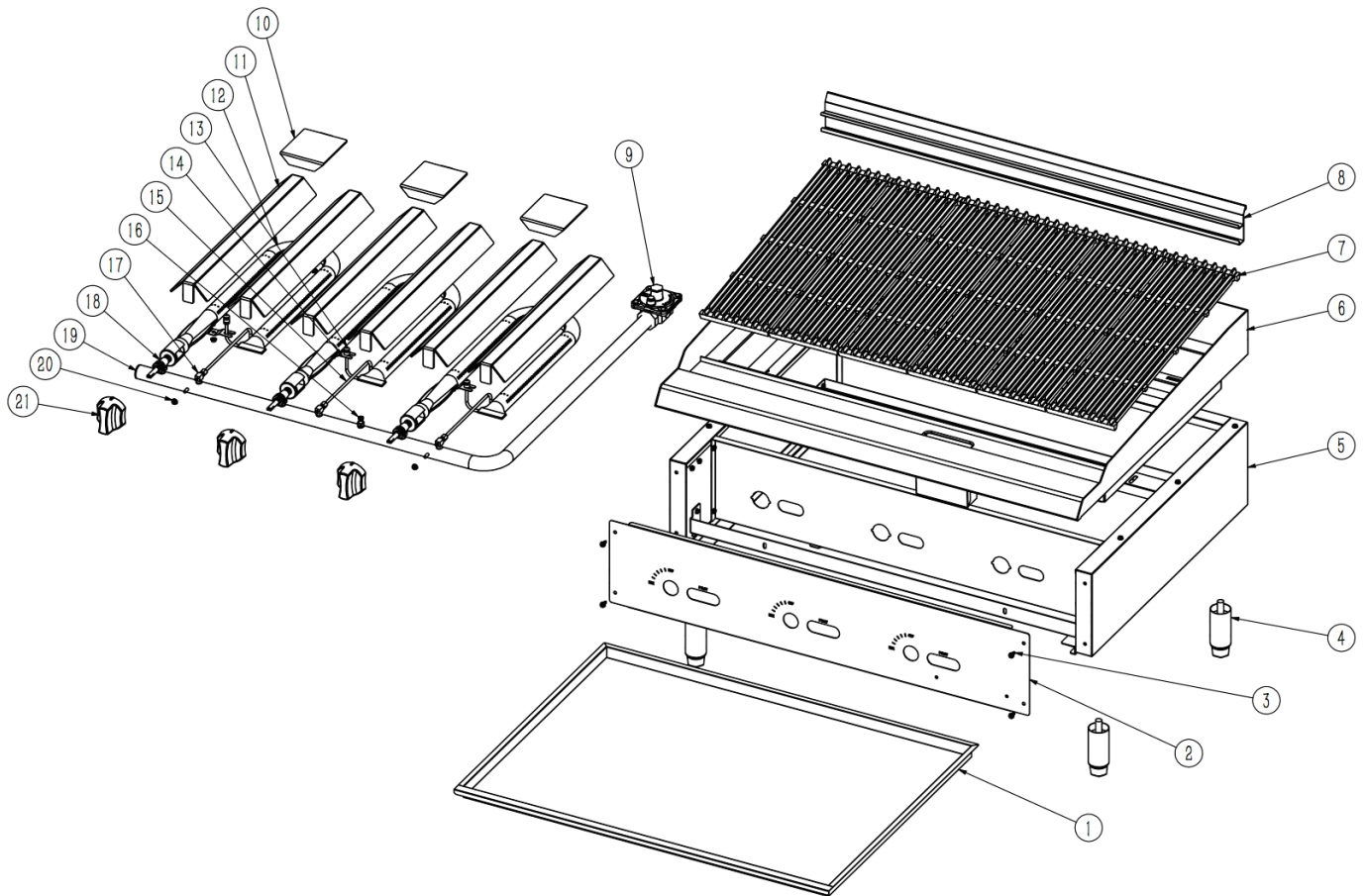
610 mm (24 po) à 2 brûleurs



N°	Description	N°	Description
1	Ramasse-miettes	12	Brûleur en forme de U
2	Panneau de commande du capot avant	13	Veilleuse
3	Écrou	14	Support de veilleuse
4	Pieds réglables	15	Conduite de veilleuse
5	Corps principal	16	Buse de pression de gaz
6	Doublure	17	Vanne d'arrêt de sécurité de la veilleuse
7	Grille de cuisson supérieure	18	Robinet de commande du brûleur
8	Support de la grille de cuisson supérieure	19	Conduite de rampe
9	Régulateur de pression de gaz	20	Écrou
10	Dessus de paroi rayonnante de brûleur	21	Bouton de brûleur
11	Paroi rayonnante de brûleur		

VUE ÉCLATÉE ET LISTE DES PIÈCES (suite)

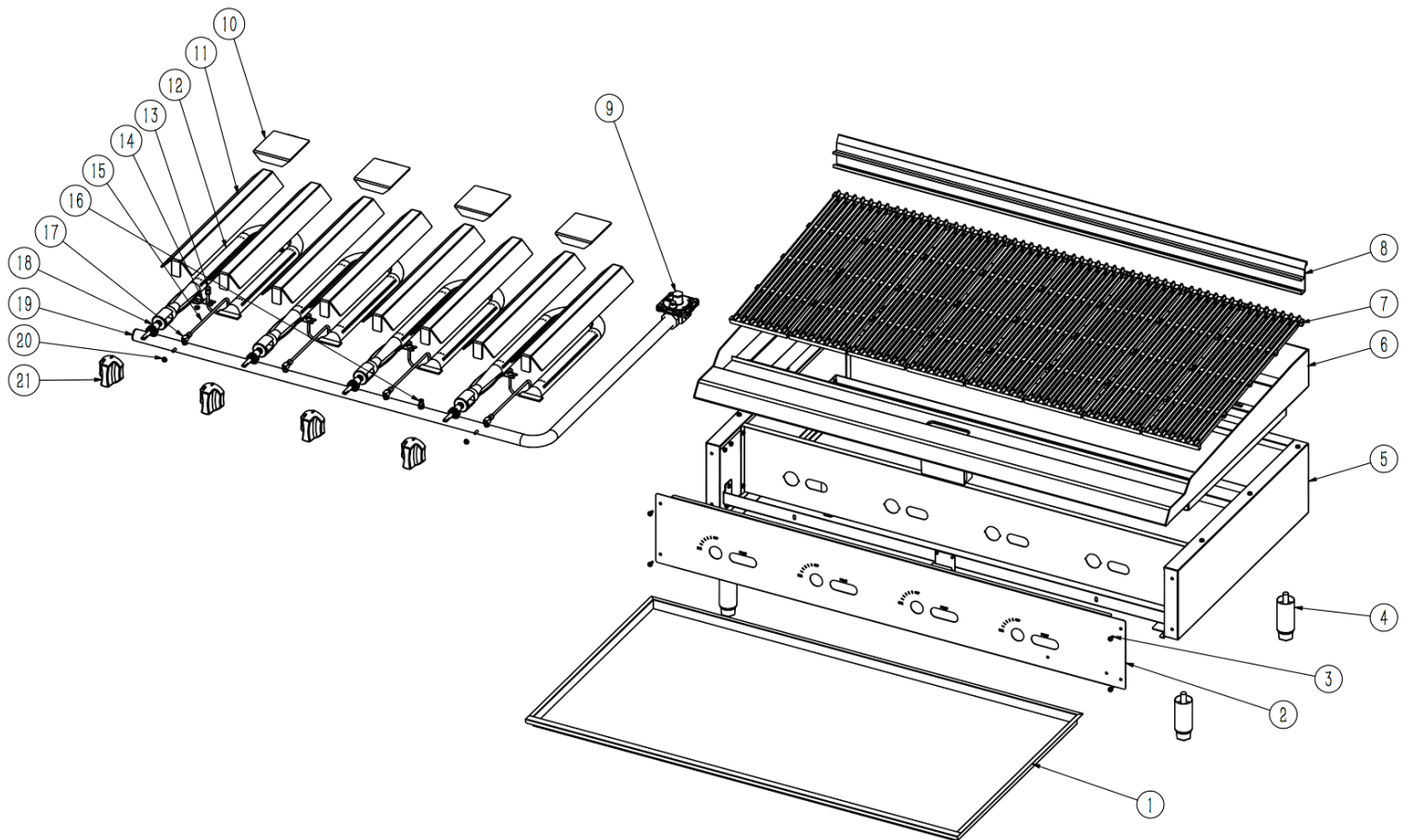
914 mm (36 po) à 3 brûleurs



N°	Description	N°	Description
1	Ramasse-miettes	12	Brûleur en forme de U
2	Panneau de commande du capot avant	13	Veilleuse
3	Écrou	14	Support de veilleuse
4	Pieds réglables	15	Conduite de veilleuse
5	Corps principal	16	Buse de pression de gaz
6	Doublure	17	Vanne d'arrêt de sécurité de la veilleuse
7	Grille de cuisson supérieure	18	Robinet de commande du brûleur
8	Support de la grille de cuisson supérieure	19	Conduite de rampe
9	Régulateur de pression de gaz	20	Écrou
10	Dessus de paroi rayonnante de brûleur	21	Bouton de brûleur
11	Paroi rayonnante de brûleur		

VUE ÉCLATÉE ET LISTE DES PIÈCES (suite)

1 219 mm (48 po) à 4 brûleurs



N°	Description	N°	Description
1	Ramasse-miettes	12	Brûleur en forme de U
2	Panneau de commande du capot avant	13	Veilleuse
3	Écrou	14	Support de veilleuse
4	Pieds réglables	15	Conduite de veilleuse
5	Corps principal	16	Buse de pression de gaz
6	Doublure	17	Vanne d'arrêt de sécurité de la veilleuse
7	Grille de cuisson supérieure	18	Robinet de commande du brûleur
8	Support de la grille de cuisson supérieure	19	Conduite de rampe
9	Régulateur de pression de gaz	20	Écrou
10	Dessus de paroi rayonnante de brûleur	21	Bouton de brûleur
11	Paroi rayonnante de brûleur		

Tabla de contenido

INFORMACIÓN DEL NÚMERO DE SERIE.....	33
SEGURIDAD DEL EQUIPO.....	34
DISPOSICIONES DE SEGURIDAD IMPORTANTES.....	35
DIMENSIONES.....	36
INFORMACIÓN TÉCNICA.....	36
INSTRUCCIONES DE INSTALACIÓN.....	37
ENSAMBLAJE.....	38
CONVERSIÓN.....	39
AJUSTE DEL QUEMADOR Y DEL PILOTO.....	40
INSTRUCCIONES DE FUNCIONAMIENTO.....	40
LIMPIEZA Y MANTENIMIENTO.....	42
GUÍA PARA LA SOLUCIÓN DE PROBLEMAS.....	43
VISTA AMPLIADA Y LISTA DE PIEZAS.....	44-46
NOTAS.....	47

Conserva la prueba fechada de la factura de compra que fija el plazo de garantía del equipo.

NÚMERO DE SERIE: _____

NÚMERO DE MODELO: _____ **FECHA DE COMPRA:** _____

INFORMACIÓN DEL NÚMERO DE SERIE

- El número de serie está ubicado en el inferior de la parte lateral derecha de la unidad.
- Ten siempre disponible el número de serie de la unidad al solicitar piezas o servicios.
- Este manual cubre sólo unidades estándar. Si posees una unidad personalizada, consulta al departamento de servicio al cliente por el número de teléfono que aparece en portada.

**LEE ESTE MANUAL EN SU TOTALIDAD
PARA AYUDAR A FAMILIARIZARTE CON EL NUEVO EQUIPO ANTES DE PROCEDER A USARLO.**

Ofrecemos muchos mensajes importantes de seguridad en este manual.
Nunca dejes de leer y cumplir con todos los mensajes de seguridad.
Comprender los mensajes de seguridad ayudará a estar alerta sobre los peligros potenciales,
así cómo reducir la probabilidad de lesión. Hay que seguir las instrucciones tal como se imparten
en este manual.

Debido a cambios periódicos en diseños, métodos, procedimientos, políticas y regulaciones, el contenido de este manual está sujeto a cambios sin previo aviso. Aunque hacemos de buena fe todos los esfuerzos necesarios para brindar información exacta, no somos responsables por los errores u omisiones en la información suministrada o en las conclusiones sacadas como resultado del uso de este manual de referencia. Al utilizar la información suministrada, el usuario asume todos los riesgos relacionados con el uso de aquella.

SEGURIDAD DEL EQUIPO

Tu seguridad y la de los demás son muy importantes.

Siempre lee y cumple con todos los mensajes de seguridad de este manual.



Este es el símbolo de alerta de seguridad. Este símbolo alerta sobre peligros potenciales que pueden causar lesiones o muerte a ti y a otros. Todos los mensajes de seguridad siguen al símbolo de alerta de seguridad y las palabras “**PELIGRO**”, “**ADVERTENCIA**” o “**PRECAUCIÓN**”.

PELIGRO

PELIGRO significa que ignorar este mensaje de seguridad pudiera resultar en muerte o lesión personal grave.

ADVERTENCIA

ADVERTENCIA significa que ignorar este mensaje de seguridad pudiera resultar en considerables daños al producto, lesión personal grave o la muerte.

PRECAUCIÓN

PRECAUCIÓN significa que ignorar este mensaje de seguridad pudiera resultar en lesiones personales leves o moderadas, así como en daños a bienes o equipos.

Todos los mensajes de seguridad te alertarán sobre cuál es el peligro potencial, te indicarán cómo reducir la probabilidad de lesión y te harán saber qué puede pasar si no se siguen las instrucciones.



NOTA: INSTRUCCIONES DE SEGURIDAD IMPORTANTES

ADVERTENCIA

Para reducir el riesgo de incendios o lesiones personales al usar tu equipo, cumple con estas precauciones elementales:

- Si hueles gas, cierra la válvula de cierre, abre las ventanas, ventila el lugar y evacúa el área inmediatamente.
- No toques enchufes ni interruptores eléctricos. Extingue cualquier llama expuesta. Llama inmediatamente a tu proveedor de gas.
- No almacenes líquidos inflamables cerca de esta unidad.
- La unidad sólo debe usarse sobre una superficie plana y nivelada.
- Mantén el área del equipo libre de combustibles.
- Deja que la unidad se enfríe antes de limpiarla o moverla.
- No instalar, ajustar o dar mantenimiento a este equipo de manera adecuada, puede provocar lesiones o la muerte.
- La instalación, ajuste, modificación o mantenimiento inadecuados puede provocar daños a la propiedad, lesiones o la muerte. Haz que un técnico de mantenimiento calificado instale y ajuste este equipo para cumplir con los códigos locales, estatales y federales.
- Lee detenidamente las instrucciones de instalación, operación y mantenimiento antes de instalar o dar servicio a este equipo.
- Un técnico de mantenimiento calificado debe realizar todas las reparaciones y mantenimiento del equipo.

GUARDAR ESTAS INSTRUCCIONES

DISPOSICIONES DE SEGURIDAD IMPORTANTES



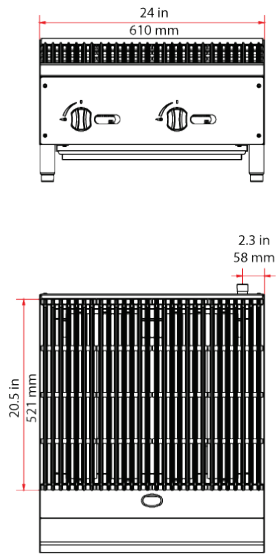
Antes de usar el equipo, este tiene que colocarse e instalarse bien tal como de describe en este manual, así que léelo con cuidado. Recomendamos enfáticamente que un técnico de mantenimiento calificado instale tu nueva máquina. La garantía pudiera verse afectada o anulada por una instalación incorrecta. Para reducir el riesgo de incendios o lesiones personales al usar el equipo, cumple con las precauciones elementales, incluyendo las siguientes:

CUIDADO

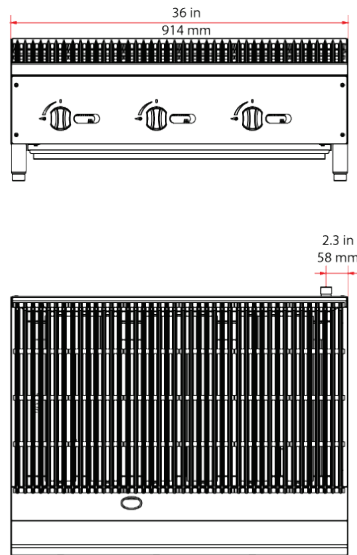
- Nunca limpies piezas del equipo con fluidos inflamables. No almacenar ni usar gasolina u otros líquidos o vapores inflamables cerca de este o cualquier otro electrodoméstico. Los vapores pueden generar peligro de incendio o explosión.
- Desconecta la línea de gas antes de limpiar o dar mantenimiento. No hacerlo puede provocar incendios o causar lesiones.
- No dejes el equipo sin supervisión con la válvula de gas principal abierta.
- Esta unidad está diseñada para usarse con patas. No usar sin las patas. Usar este equipo sin las patas puede provocar que la unidad se sobrecaliente y originar un incendio.
- Si la unidad está colocada sobre una base o mesa móvil, se requiere una manguera de desconexión rápida y un cable de sujeción para manipular de manera segura.
- El equipo debe limpiarse bien antes de usarlo. Limpia todas las superficies antes de usar.
- No limpiar las superficies antes de usar la unidad puede provocar contaminación de los alimentos y demasiado humo.
- No rocíes los controles o el exterior de la unidad con líquidos o agentes limpiadores.
- NO uses llamas expuestas para verificar la existencia de fugas. Revisa toda la tubería de gas para comprobar la existencia de fugas con una solución de agua y jabón antes de usar la unidad.
- Este equipo tiene que instalarse y ubicarse apropiadamente y conforme a las instrucciones de instalación antes de usarse.
- Es importante que el equipo esté nivelado para que funcione bien. Puede que necesites hacer varios ajustes para nivelarla.
- Retira el material de empaque y limpia el equipo antes de usar.
- No usar este aparato para una función ajena a su propósito preconcebido.
- Es normal que aparezca humo al usar el equipo por primera vez. Esto sucede al quemarse la capa que evita la oxidación. Deja que la unidad “queme” durante un mínimo de 30 minutos antes de usar por primera vez.

DIMENSIONES

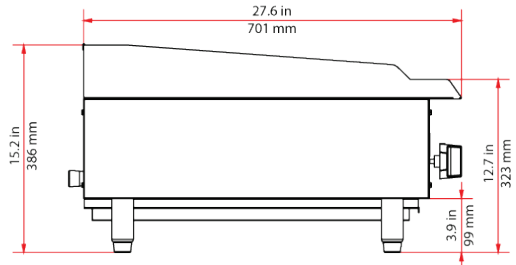
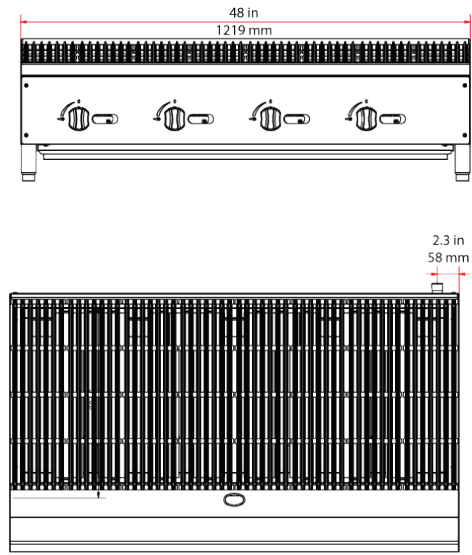
2 Quemadores, 61 cm



3 Quemadores, 91.4 cm



4 Quemadores, 1.2 m



INFORMACIÓN TÉCNICA

	2 Quemadores, 61 cm		3 Quemadores, 91.4 cm		4 Quemadores, 1.2 m	
Número de quemadores y BTU	2 Quemadores @ 35,000 BTU		3 Quemadores @ 35,000 BTU		4 Quemadores @ 35,000 BTU	
Total de BTU / Hora	70,000 BTU por hora		105,000 BTU por hora		140,000 BTU por hora	
Conexión de manguera	1.9 cm		1.9 cm		1.9 cm	
cm: Dimensiones (AN x PROF x AL)	61 cm x 70.1 cm x 38.6 cm		91.4 cm x 70.1 cm x 38.6 cm		121.9 cm x 70.1 cm x 38.6 cm	
mm: Dimensiones (AN x PROF x AL)	610 x 701 x 386		914 x 701 x 386		1219 x 701 x 386	
Peso de envío	147 lb (66.7 kg)		205 lb (93 kg)		256 lb (116.1 kg)	
Tamaño del orificio (estufa)	LP	Gas Natural	LP	Gas Natural	LP	Gas Natural
	49 o 50	34, 35 o 36	49 o 50	34, 35 o 36	49 o 50	34, 35 o 36

INSTRUCCIONES DE INSTALACIÓN

PELIGRO

No instalar, ajustar o dar mantenimiento a este equipo de manera adecuada, puede provocar lesiones o la muerte. La instalación, ajuste, modificación o mantenimiento inadecuados puede provocar daños a la propiedad, lesiones o la muerte. Haz que un técnico de mantenimiento calificado instale y ajuste este equipo conforme a los códigos locales, estatales y federales.

ADVERTENCIA

Lee detenidamente las instrucciones de instalación, operación y mantenimiento antes de instalar o dar servicio a este equipo.

CUIDADO

Esta unidad está diseñada para usarse con patas. No usar sin las patas. Usar este equipo sin las patas puede provocar que la unidad se sobrecaliente y originar un incendio.

Cómo desempacar

REVISAR INMEDIATAMENTE SI HAY ALGÚN DAÑO DE ENVÍO

Todos los contenedores deben revisarse en busca de daños ocurridos antes y durante la descarga. El transportista ha asumido la responsabilidad por la transportación y entrega seguras del producto. Si el equipo se recibe con daños, ya sean visibles u ocultos, debe realizarse una reclamación al transportista que entrega.

- A) Cualquier pérdida o daño evidente debe reflejarse en el conocimiento de embarque en el momento de la entrega. El representante (camionero) del transportista debe firmarlo. Si no es así, el transportista puede rechazar la reclamación. El transportista puede proveer los formularios necesarios.
- B) En caso de pérdida o daño oculto no evidente hasta que el equipo haya sido desembalado, debe realizarse una solicitud de inspección al transportador antes de transcurridos 15 días. El transportista debe organizar una inspección. Asegúrate de guardar todo el contenido y material de empaque.

Instalación móvil

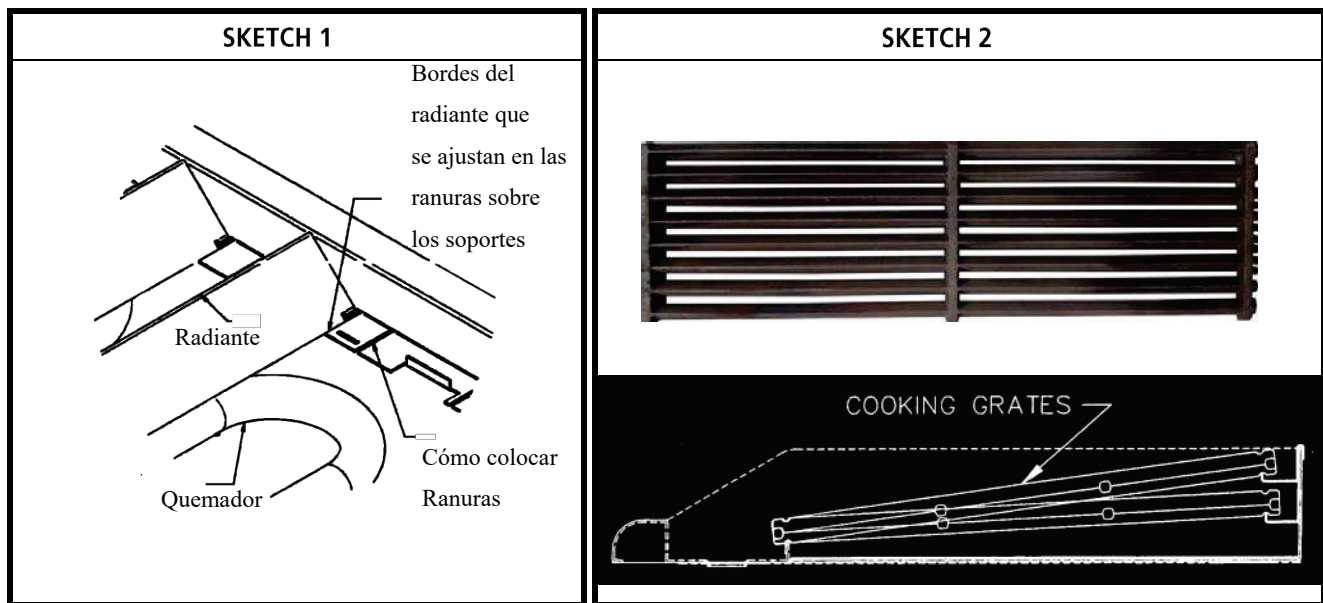
Este equipo de mostrador puede colocarse sobre una base de equipo móvil (superficie de acero inoxidable) o base refrigerada que facilite la limpieza de las áreas adyacentes o el mantenimiento a distancia del equipo. Una instalación móvil requiere una manguera de suministro de conexión rápida, un cable de sujeción pasiva y un separador para cumplir con todas las regulaciones y ordenanzas vigentes.

Asegúrate de que la instalación, incluyendo la campana de ventilación, sea inspeccionada y aprobada por el oficial/autoridad encargada del código de construcción local.

(Para optimizar la altura de trabajo de la superficie de cocinado, puede ser conveniente comprar un juego de ruedas más pequeñas autorizadas por la fábrica para la base de equipo móvil o base refrigerada. El uso de otras ruedas o de una manguera de suministro con válvula de desconexión no aprobada e inspeccionada, puede anular la garantía del equipo).

ENSAMBLAJE

1. Enrosca las patas a las tuercas sujetas de manera permanente en las cuatro esquinas de la unidad y aprieta con la mano.
2. Nivelas la unidad girando el tornillo de ajuste en la parte inferior de cada pata. No deslices la unidad con las patas instaladas; levanta la unidad para moverla.
3. Coloca los radiantes en su posición como se muestra en la Figura 1. Asegúrate de que los radiantes queden posicionados adecuadamente en las ranuras de los soportes frontal y posterior. Los radiantes deben quedar centrados sobre una sección recta de los quemadores.
4. Coloca las rejillas superiores para cocinar con las barras de cuadrículas inclinadas hacia adelante como se muestra en la Figura 2. NOTA: Cuando las rejillas para cocinar se colocan correctamente, las ranuras en la parte superior servirán para conducir las gotas de grasa que se desprenden hacia la bandeja de grasa.



CUIDADO

NO uses llamas expuestas para verificar la existencia de fugas.

Revisa toda la tubería de gas para comprobar la existencia de fugas con una solución de agua y jabón antes de usar la unidad.

La instalación debe realizarse por un instalador calificado que lea, entienda y siga estas instrucciones en su totalidad.

La instalación debe realizarse conforme a los códigos locales, o en la ausencia de éstos, cumplir con el *Código Nacional sobre Gas Combustible, ANSI Z223.1/NFPA 54, ANSII/NFPA 58 del Código del Gas Licuado de Petróleo; CSA-B149.1* o el *Código de Instalación de Propano, CSA-B149.2*, según corresponda, y de acuerdo con los códigos locales.

El equipo y su válvula de cierre independiente (suministrada por el usuario) deben estar desconectados del sistema de tuberías de suministro de gas al realizar pruebas de presión del sistema con presiones de prueba que superen $\frac{1}{2}$ psi (3.5 kPa).

Cuando las presiones de prueba sean de $\frac{1}{2}$ PSI (3.5 kPa) o menos, el equipo debe aislarse del sistema de tuberías de suministro de gas cerrando su válvula de cierre manual independiente.

- El instalador debe incluir una válvula manual para cortar el suministro de combustible al equipo.
- El compuesto de sellado de la rosca de tubería debe ser resistente a la acción de los gases licuados de petróleo.
- Comprueba que el orificio y el regulador del producto se ajusten al tipo de gas (gas natural o propano-LPG).
- Ajusta el piloto si es necesario.
- Ajusta el(los) quemador(es) principal(es) si es necesario.
- Ajusta la tapa para aire del quemador principal si es necesario.

CONVERSIÓN

Conversión a Propano (LP) / Gas Natural

Las instrucciones son para la conversión de Gas Natural a Propano (LP) o viceversa. La conversión debe completarse antes de conectar la unidad al suministro de gas.

Las unidades se envían de la fábrica listas para usarse con gas natural. Para la conversión se requieren 49 o 50 orificios para propano (LP). Si tienes una configuración modelo para LP, necesitarás 34, 35 o 36 orificios de gas natural.

- 1) Retira las trébedes y quemadores y reemplaza los acoplamientos para orificios de válvula con los marcados como 49 o 50 (para propano - LP) o 34, 35 y 36 para gas natural. Vuelve a colocar las trébedes y quemadores.
- 2) Antes de instalar el regulador, quita la tapa del regulador y da vuelta al aditamento de plástico sujeto en la parte inferior de la tapa.



AJUSTE DEL QUEMADOR Y DEL PILOTO

Nota: El piloto del equipo ha sido configurado de fábrica. Puede que se necesite un destornillador para ajustar la llama al encenderse por primera vez.

1. Cierra la válvula de suministro de gas y espera 5 minutos para que el gas se termine.
2. Coloca todas las válvulas de control de quemador en la posición “OFF” (CERRADA).
3. Coloca una fuente de ignición (un fósforo) junto al piloto.
4. Abrir la válvula de suministro de gas. Una vez que se establezca la llama del piloto, retira la fuente de ignición.
5. Coloca las válvulas de control de quemador en la posición “ON” (ABIERTA). Si el piloto no enciende los quemadores enseguida, cierra la válvula de control de quemador e incrementa el tamaño de la llama del piloto. Si la llama del piloto parece más grande de lo necesario, apágala y reinicia la ignición del quemador. La llama del piloto debe ser tan pequeña como sea posible, pero lo suficientemente grande para garantizar la ignición fiable de los quemadores cuando sus válvulas de control pasen a la posición “ON”.

Ajuste del quemador principal

Nota: Los quemadores pilotos hacen que los quemadores principales se enciendan.

1. Para encender el quemador, coloca la válvula de control en la posición “ON”
2. Ajusta la altura de la llama a la posición deseada girando la válvula de control de quemador.
3. Para apagar, lleva la válvula de control de quemador a la posición “OFF”.
4. Para apagar el equipo, cierra la válvula manual de suministro de gas.

Ajuste del suministro de aire al quemador principal

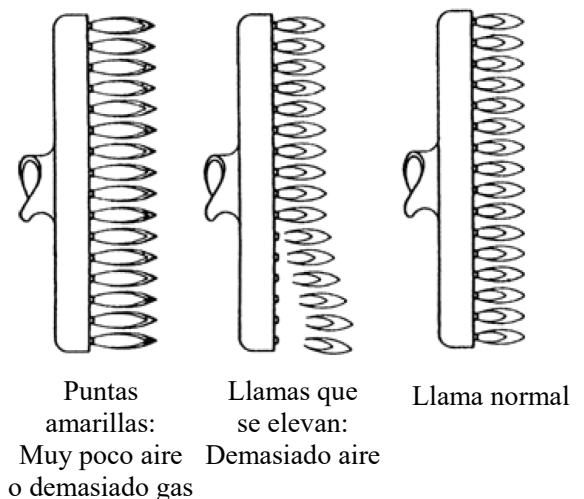
Nota: Para un funcionamiento eficiente del quemador, debe mantenerse un equilibrio adecuado entre el volumen de gas y el suministro de aire primario, lo que provocará una combustión completa. Un suministro de aire insuficiente provocará una llama amarilla. Una tapa para aire en la parte frontal del quemador controla la mezcla del aire y el gas.

1. Afloja los tornillos de retención de la tapa para aire en la parte frontal del quemador e incrementa el tamaño de la abertura de entrada de aire para eliminar las puntas amarillas de la llama del quemador.
2. Asegura la tapa para aire en su lugar apretando los tornillos. Si las llamas hacen ruido y son de color azul pálido, reduce la abertura de aire para eliminar la entrada excesiva de aire.

Ajuste del suministro de aire al quemador principal

Los quemadores principales deben tener una llama azul constante y el cono interno de la llama en cada puerto debe tener un largo de aproximadamente 1.9 cm.

Coloca la presión del suministro para lograr la apariencia y altura de la llama deseadas entre 3.75 y 5 pulgadas de agua para el gas natural y entre 9.5 y 11 pulgadas de agua para LP.



INSTRUCCIONES DE FUNCIONAMIENTO

ADVERTENCIA

El equipo debe limpiarse bien antes de usarlo. Limpia todas las superficies antes de usar. No limpiar las superficies antes de usar la unidad puede provocar contaminación de los alimentos y demasiado humo.

Nunca trates de mover una sección de la parrilla mientras cocinas. Una llama inesperada puede provocar lesiones. Apaga la unidad, déjala enfriar y usa agarraderas y/o guantes con aislante para moverla.

El espacio entre las patas y la parte inferior puede acumular aire de combustión. NO BLOQUEES ESTE ESPACIO.

CUIDADO

No dejes el equipo sin supervisión con la válvula de suministro de gas abierta.

No cubras la parte superior de las rejillas cuadrículadas al quemar para eliminar grasas o recubrimientos. Limitar el flujo de aire cubriendo las rejillas cuadrículadas puede provocar que se deformen. También causará daños a las válvulas, las perillas y la calcomanía del panel frontal.

AVISO

Cuando el equipo se calienta por primera vez, se originará humo hasta que el aceite - o preservantes similares - usado en la fábrica para evitar la oxidación, así como el polvo acumulado durante el almacenaje y el envío, se hayan quemado. Usualmente, una hora con todos los quemadores al "MÁXIMO" es suficiente.

Instrucciones para encender el quemador principal

Nota: Los quemadores pilotos hacen que los quemadores principales se enciendan.

1. Para encender el quemador, gira la válvula de control del quemador a la posición "ON".
2. Ajusta la altura de la llama a la posición deseada girando la válvula de control de quemador.
3. Para apagar, lleva la válvula de control de quemador a la posición "OFF". Espera 5 minutos antes de tratar de volver a encender los quemadores.
4. Para apagar el equipo, cierra la válvula manual de suministro de gas.

Funcionamiento del equipo

1. Enciende los quemadores de 15 a 20 minutos antes de cocinar para que se precaliente el equipo.
2. Regula con las perillas la temperatura o altura de llama deseada.
3. Cada válvula controla el flujo de gas al quemador para hacer que esa área de la unidad alcance la temperatura establecida.
4. Si se van a usar diferentes temperaturas, las temperaturas deben variar progresivamente en las áreas contiguas manteniendo las temperaturas menores en los quemadores exteriores.

Medidas al iniciar el funcionamiento después de realizados los ajustes de campo

Tipo de combustible _____

Presión de gas fijada en _____ pulgadas de agua

Tamaño del orificio _____

Válvula de cierre instalada y comprobada su funcionalidad y ausencia de fugas Fecha: _____ Confirmado por: _____

Llama y tapa para aire establecidas para llama azul _____

Se ha inspeccionado el piloto y comprobado que no se soltará debido al movimiento causado por el aire o la campana de ventilación _____

Extintor de fuego manual accesible y aprobado _____

Se ha comprobado que la campana de ventilación elimina los gases de escape (CO), incluyendo los vapores producidos al cocinar _____

La campana de ventilación incluye un sistema de protección contra fuego de trabajo _____

Número de Modelo _____

Número de Serie _____

La placa de identificación corresponde con estos datos _____

LIMPIEZA Y MANTENIMIENTO

CUIDADO

Antes de limpiar, cierra todas las válvulas, incluyendo la válvula de suministro de gas, y deja que la unidad alcance la temperatura ambiente.

Nota: Usa sólo limpiadores no abrasivos. Los limpiadores abrasivos pudieran rayar el acabado de la unidad, dañando así su apariencia y haciéndola propensa a la acumulación de suciedad. No uses lana de acero, ni otros limpiadores abrasivos o limpiadores/desinfectantes que contengan cloro, yodo, amoníaco o productos químicos de bromo pues los mismos dañarán los materiales de acero inoxidable y vidrio y reducirán la vida útil de la unidad. Si las superficies de acero inoxidable se decoloran, fríega frotando sólo en el sentido de la veta del acabado.

Limpieza inicial - Antes del primer uso.

Lava bien la parte exterior de la unidad con un detergente suave.

Limpieza diaria

1. Quita la bandeja para grasa, vacíala y lávala con un detergente suave.
2. Limpia la acumulación de grasa en las rejillas diariamente o más frecuentemente, según sea necesario, con un procedimiento de “quemado”.
 - a) Coloca las rejillas sobre la parrilla con las barras cuadrículadas horizontalmente y de frente hacia abajo.
 - b) Enciende la parrilla durante aproximadamente 45 minutos.
 - c) Apaga la parrilla y deja que se enfríe por 20 minutos.
 - d) Limpia las superficies superior e inferior de la rejilla con un cepillo de alambre para eliminar la grasa animal y carbonizada.
 - e) Limpia los canales de las rejillas con un raspador.
 - f) Quita las rejillas de la parrilla. Limpia la superficie superior de los conductos de los radiantes con un cepillo de alambre. Pueden limpiarse en su lugar.

Limpieza semanal

1. Limpia bien la unidad. Limpia las superficies de acero inoxidable o cromadas con un paño húmedo, y pule con un paño seco y suave. Puedes usar un detergente suave. Para eliminar decoloraciones, usa un limpiador no abrasivo.
2. Para quitar la bandeja de goteo, hala el mango a través de la abertura en el panel frontal.
3. Las aberturas de la tapa para aire del quemador deben mantenerse limpias. Los puertos de los quemadores principales deben mantenerse limpios. Limpia los quemadores con un cepillo rígido.

ADVERTENCIA

Un técnico de mantenimiento calificado debe realizar todas las reparaciones y mantenimiento del equipo.

CUIDADO

Para tu seguridad y para garantizar un funcionamiento correcto, usa sólo piezas de repuesto y de mantenimiento compradas al fabricante. Si tienes algún problema o pregunta, contacta a tu Representante de Servicio más cercano. Todas las válvulas de control de quemadores deben revisarse y lubricarse regularmente por un técnico de mantenimiento calificado.

GUÍA PARA LA SOLUCIÓN DE PROBLEMAS

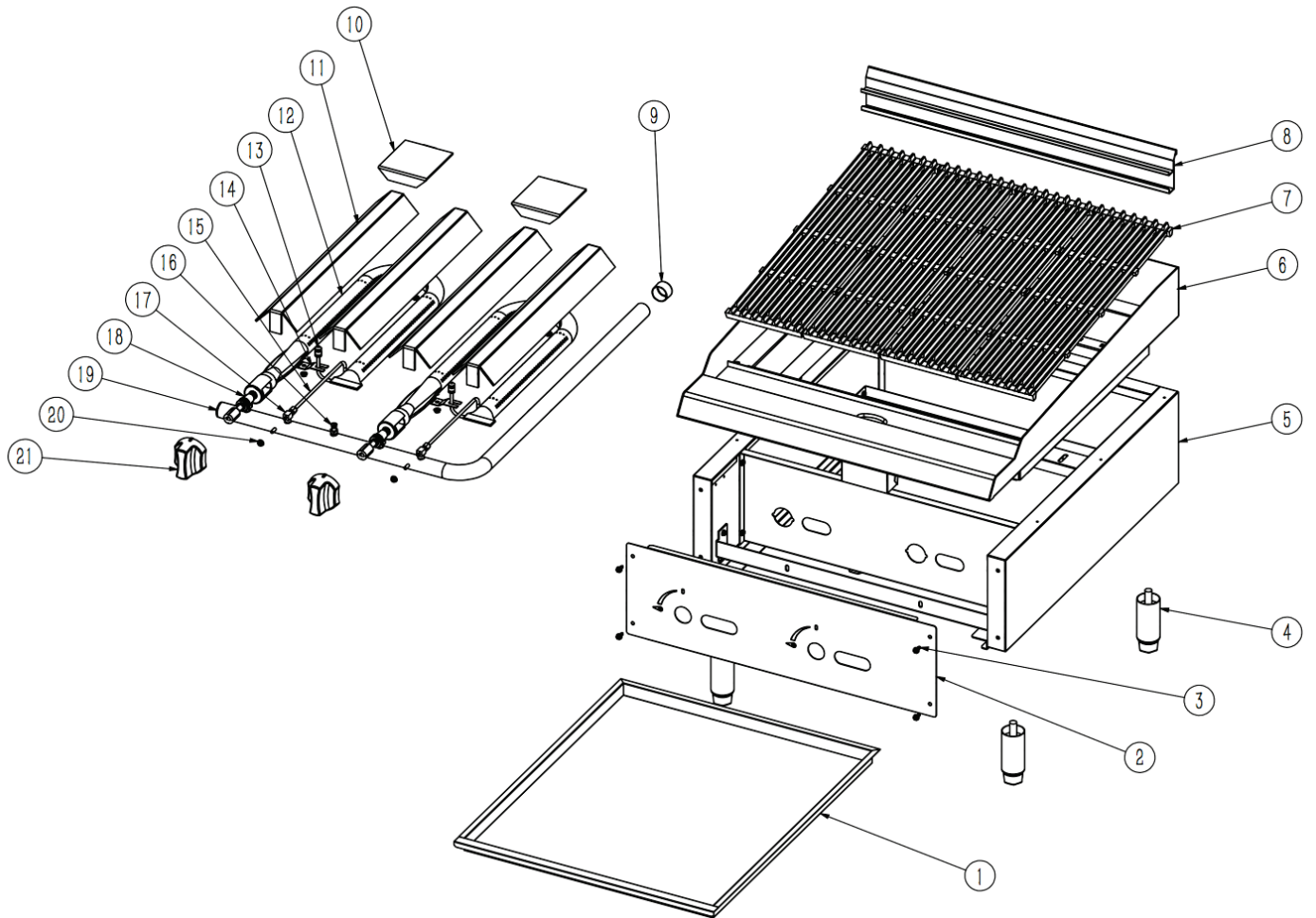
ANTES DE LLAMAR PARA SOLICITAR SERVICIO

Si la unidad parece estar funcionando mal, primero lee detalladamente la sección FUNCIONAMIENTO de este manual. Si persiste el problema, consulta la sección Solución de Problemas más abajo. El problema pudiera ser algo tan simple que se resuelve sin llamar al servicio técnico.

Defecto	Posible causa	Medida
El piloto no enciende.	La válvula del piloto está cerrada.	Abre la válvula de suministro de gas.
	El orificio del piloto está obstruido.	Desobstruye el orificio del piloto.
El quemador del piloto no se mantiene encendido.	El piloto no está bien ajustado.	Ajusta el piloto.
	El orificio del piloto está obstruido.	Desobstruye el orificio del piloto.
	Hay aire en el suministro de gas.	Haz que un técnico de mantenimiento calificado se asegure de que no haya aire en el suministro de gas.
	El aire está apagando el piloto.	Cambia la dirección de cualquier ventilador o fuente de ventilación cercana.
No calienta cuando la válvula del quemador se abre.	El piloto no está encendido.	Asegúrate de que el piloto está encendido.
	La válvula de gas no sirve.	Haz que un técnico de mantenimiento calificado revise la válvula.
Hay demasiado humo debido a la grasa.	La temperatura es muy alta.	Baja la temperatura.
	La humedad de los alimentos puede estar convirtiéndose en vapor.	No hagas nada.
Los alimentos se pegan en las rejillas.	La temperatura es muy alta.	Baja la temperatura.
	La superficie de la parrilla para asar debe ser limpiada y/o condimentada.	Limpia o coloca condimento en la rejilla.
	Puede que la superficie debajo de los alimentos no haya sido cubierta con suficiente aceite para cocinar.	Agrega un poco de aceite para cocinar a la superficie debajo de los alimentos.
Los alimentos están quemados en sus bordes o tienen manchas oscuras.	La temperatura es muy alta.	Baja la temperatura.
	La superficie de la parrilla para asar debe ser limpiada y/o condimentada.	Limpia o coloca condimento en la rejilla.
	Puede que la superficie debajo de los alimentos no haya sido cubierta con suficiente aceite para cocinar.	Agrega un poco de aceite para cocinar a la superficie debajo de los alimentos.
Los alimentos no están bien cocidos por dentro.	La temperatura es demasiado alta o demasiado baja.	Baja la temperatura.
	Puede que los alimentos no hayan sido cocidos durante un tiempo suficiente.	Cocina los alimentos durante más tiempo.
Los alimentos tienen un sabor grasiento o desagradable.	La temperatura es demasiado baja.	Incrementa la temperatura.
	Has usado demasiada grasa.	Usa menos aceite para cocinar.
	Los propios alimentos pueden tener un sabor desagradable.	Reemplázalos por alimentos con buen sabor.
	Puede que los alimentos no hayan sido almacenados adecuadamente.	Reemplázalos por alimentos que hayan sido almacenados correctamente.

VISTA AMPLIADA Y LISTA DE PIEZAS

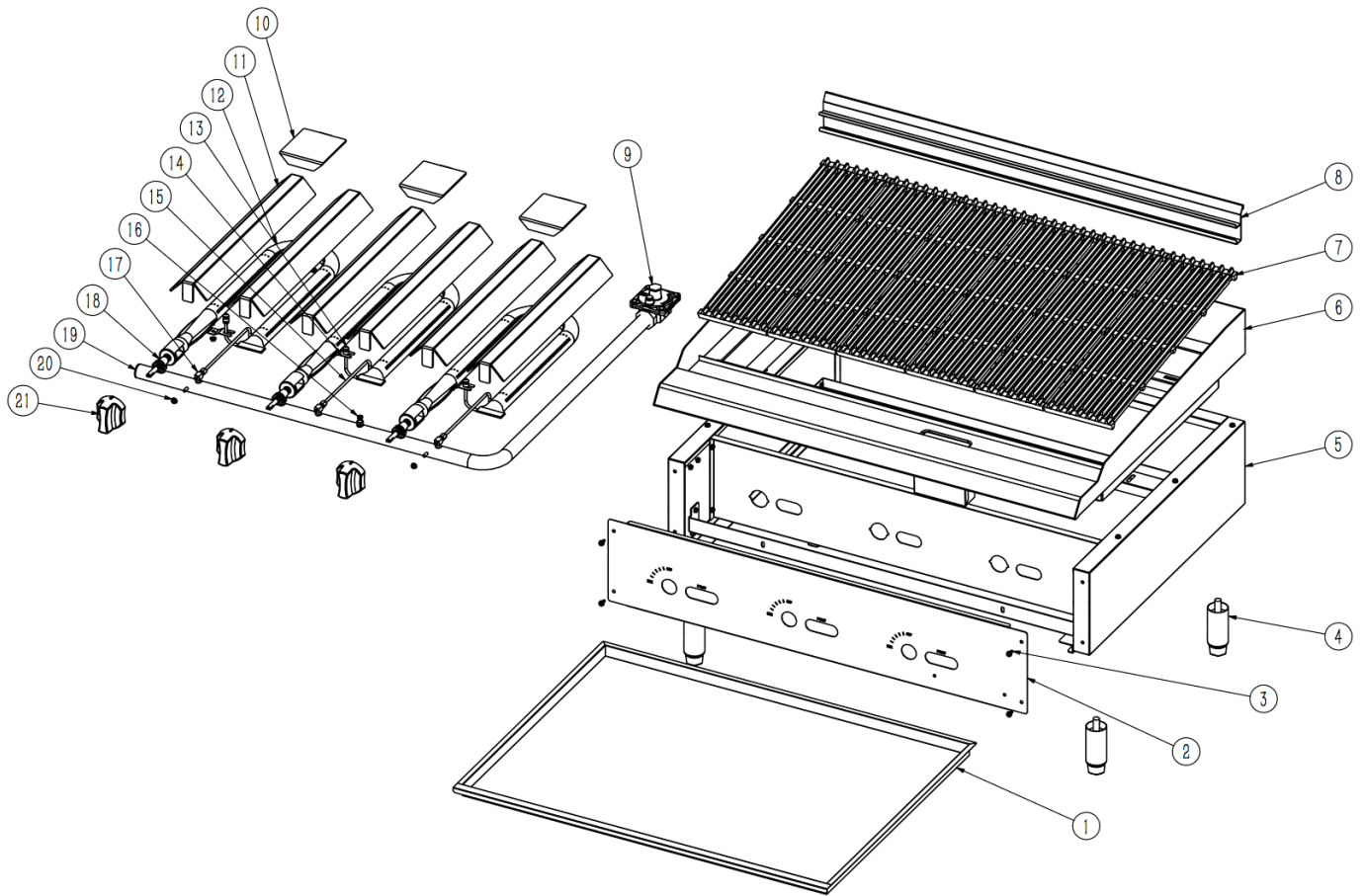
2 Quemadores, 61 cm



Núm.	Descripción	Núm.	Descripción
1	Bandeja para migas	12	Quemador en forma de U
2	Panel de control de cubierta frontal	13	Piloto
3	Tuerca	14	Soporte del piloto
4	Patas ajustables	15	Tubo del piloto
5	Cuerpo principal	16	Boquilla de presión de gas
6	Revestimiento	17	Válvula del piloto
7	Rejilla superior	18	Válvula del quemador
8	Soporte de la rejilla superior	19	Tubo del distribuidor
9	Regulador de gas	20	Tuerca
10	Parte superior del radiante del quemador	21	Perilla del quemador
11	Radiante del quemador		

VISTA AMPLIADA Y LISTA DE PIEZAS (continuación)

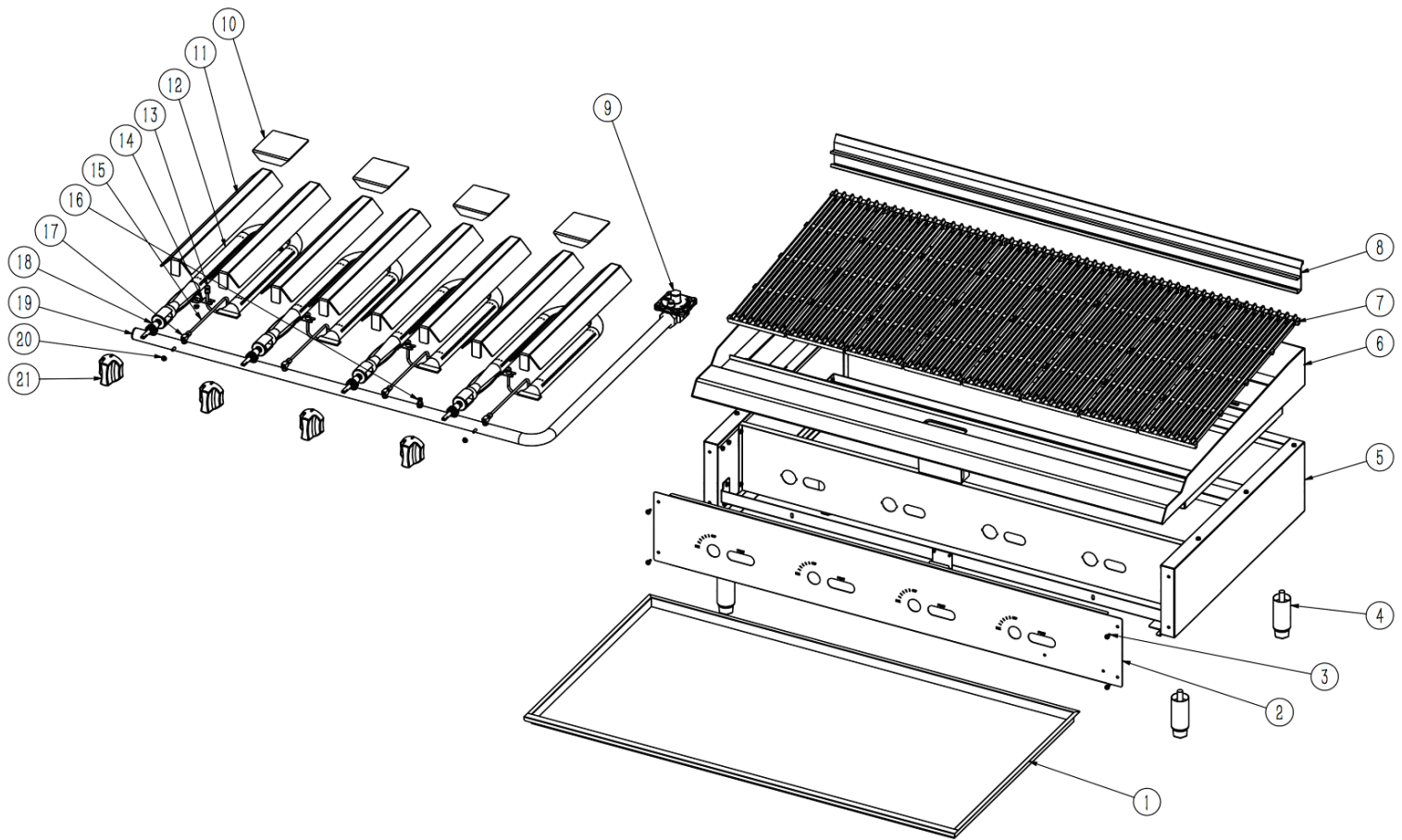
3 Quemadores, 91.4 cm



Núm.	Descripción	Núm.	Descripción
1	Bandeja para migas	12	Quemador en forma de U
2	Panel de control de cubierta frontal	13	Piloto
3	Tuerca	14	Soporte del piloto
4	Patas ajustables	15	Tubo del piloto
5	Cuerpo principal	16	Boquilla de presión de gas
6	Revestimiento	17	Válvula del piloto
7	Rejilla superior	18	Válvula del quemador
8	Soporte de la rejilla superior	19	Tubo del distribuidor
9	Regulador de gas	20	Tuerca
10	Parte superior del radiante del quemador	21	Perilla del quemador
11	Radiante del quemador		

VISTA AMPLIADA Y LISTA DE PIEZAS (continuación)

4 Quemadores, 1.2 m



Núm.	Descripción	Núm.	Descripción
1	Bandeja para migas	12	Quemador en forma de U
2	Panel de control de cubierta frontal	13	Piloto
3	Tuerca	14	Soporte del piloto
4	Patas ajustables	15	Tubo del piloto
5	Cuerpo principal	16	Boquilla de presión de gas
6	Revestimiento	17	Válvula del piloto
7	Rejilla superior	18	Válvula del quemador
8	Soporte de la rejilla superior	19	Tubo del distribuidor
9	Regulador de gas	20	Tuerca
10	Parte superior del radiante del quemador	21	Perilla del quemador
11	Radiante del quemador		

NOTAS

