



Project Name: _____

Location: _____

Item #: _____ Qty: _____

Model: _____

VALUE WATER FILTERS

MODEL: TLC-2200S-STRK TLC-2200S TLC-2200S-DBLP



TLC-2200S-STRK
Water Filter Starter Kit
(Manifold + 1 Cartridge)



TLC-2200S
Water Filter Cartridge



TLC-2200S-DBLP
Water Filter Cartridge (2 Pack)

Value Water Filters are exclusively designed to work with Maxx Ice ice machines to improve the quality of ice, optimize daily operation and reduce ice machine expense and maintenance. Adding a water filtration system to your ice machine will reduce scale and improve ice clarity and taste as well as eliminate unwanted odors, improving the sanitation of your foodservice operations. Installing a Maxx Ice Value Water Filter System in your Kitchen is easy and an replacement cartridge can be replaced without turning “OFF” the ice machine while in use.

FEATURES

- NSF Approved, tested to ANSI and NSF 42
- Compatible with all Maxx Ice ice machines
- Provides ultra-fine 0.5 micron of filtration, inhibits unwanted bacteria from entering the water system for improved sanitation
- Gradient density carbon block filter is effective in contaminant reduction
- Ice machine life is extended when a value filter is installed and when the cartridge is changed every 6 months or when PSI is below 25
- Scale Inhibitor, SLO PHOS slow dissolving phosphate additive prevents scaling and scale build up
- Value water filters help reduce sediments such as sand, rust and dirt from entering machine to ensure optimum operation, reducing daily operation costs and maintenance expenses
- Sturdy manifold is supplied with a water pressure gauge with a tattle tale needle to track the water pressure highs and lows
- Maximum flow rate for single cartridge is 1.67GM and filter life of 20,000 Gallons or 75,708 Liters
- Replacement cartridges can be “changed out” without turning OFF the ice machine

OPERATING PARAMETERS

Pressure:

TLC-2200S-STRK..... 25-125 psi (1.7-8.6 bar)
 TLC-2200S 25-125 psi (1.7-8.6 bar)
 TLC-2200S-DBLP 25-125 psi (1.7-8.6 bar)

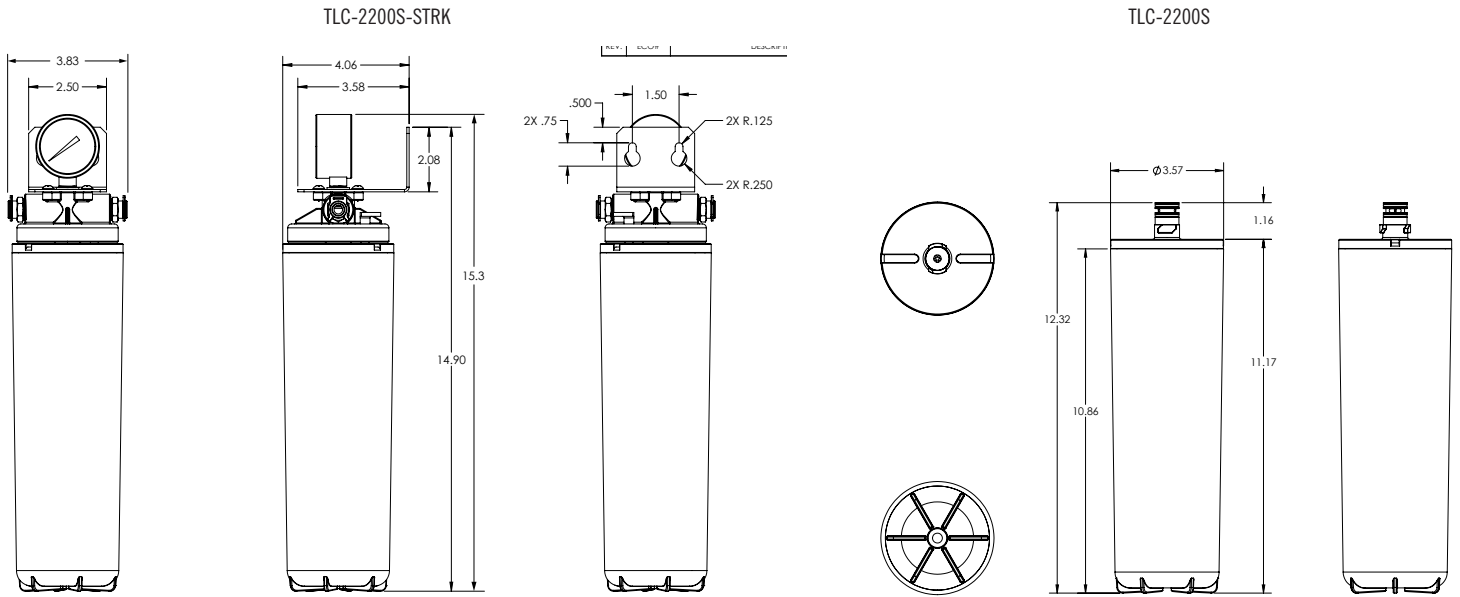
Temperature:

TLC-2200S-STRK..... 35° to 100°F (1.7° to 38°C)
 TLC-2200S 35° to 100°F (1.7° to 38°C)
 TLC-2200S-DBLP 35° to 100°F (1.7° to 38°C)

3RD PARTY APPROVALS



Tested to ANSI NSF 42



MODEL	EXTERNAL DIMENSIONS W x D x H	MAXIMUM FLOW RATE	PRESSURE	TEMPERATURE	FILTER LIFE (6 MONTHS)	MICRON RATING	SCALE INHIBITOR	IMPROVES ICE TASTE/CLARITY	REDUCES SEDIMENT	UNIT WEIGHT
TLC-2200S-STRK	3.83" x 4.06" x 15.3" (97 x 103 x 389 mm)	1.67 GPM	25-125 psi (1.7 - 8.6 bar)	35°F to 100°F (1.7°C to 38°C)	20,000 Gal (75,708 L)	0.5	No	Yes	Yes	2.75 lb (1.24 kg)
TLC-2200S	3.57" x 3.57" x 12.32" (91 x 91 x 313 mm)	1.67 GPM	25-125 psi (1.7 - 8.6 bar)	35°F to 100°F (1.7°C to 38°C)	20,000 Gal (75,708 L)	0.5	No	Yes	Yes	2.75 lb (1.24 kg)

INSTALLATION

- Install and replace cartridge on back of unit, vertically, hanging down
- Allow 2.5" (6.25 cm) clearance when installing
- Please comply to local plumbing codes
- Flush filter cartridge with water for 10 minutes prior to connecting ice machine
- Recommend testing your local water supply to determine water treatment needs
- Change cartridges on a six (6) month cadence or when water pressure is under 24 psi
- Protect from freezing during winter months to prevent filter housing from cracking