

# **MAXX COLD** *SELECT SERIES*

## **SERVICE, INSTALLATION AND INSTRUCTION MANUAL MANUEL D'ENTRETIEN, D'INSTALLATION ET D'UTILISATION MANUAL DE INSTRUCCIONES, INSTALACIÓN Y MANTENIMIENTO**



For **AUTHORIZED PARTS** or **TECHNICAL SERVICE**, please contact | Pour les **PIÈCES AUTORISÉES** ou un **SERVICE TECHNIQUE**, veuillez composer le | Para **PIEZAS AUTORIZADAS** o **SERVICIO TÉCNICO**, llame al **1-877-368-2797** or | ou visiter le site | o visite [Service@MaxxHelp.com](mailto:Service@MaxxHelp.com)

3355 Enterprise Avenue, Suite 160, Fort Lauderdale, FL 33331 USA  
Phone | Téléphone | Teléfono: (954) 202-7419  
Website | Site Web | Sitio Web: [MaximumFoodService.com](http://MaximumFoodService.com)

**SOLID DOOR | PORTE PLEINE | PUERTA SÓLIDA**  
**MXSR-23FD**  
**MXSR-49FD**

**GLASS DOOR | PORTE EN VERRE | PUERTA DE VIDRIO**  
**MXSR-23GD**  
**MXSR-49GD**

**SELECT SERIES REACH-IN REFRIGERATORS | RÉFRIGÉRATEURS ARMOIRES DE LA SÉRIE SELECT |  
SÉRIE SELECTA DE REFRIGERADORES DE ACCESO DIRECTO**

**PLEASE READ CAREFULLY | VEUILLEZ LIRE AVEC ATTENTION | POR FAVOR, LEER DETENIDAMENTE**

# TABLE of CONTENTS

SERIAL NUMBER INFORMATION.....	3
REFRIGERATOR SAFETY .....	4
IMPORTANT SAFEGUARDS .....	5
DIMENSIONS .....	7
TECHNICAL INFORMATION .....	7
RECEIVING AND INSPECTING THE EQUIPMENT .....	8
INTRODUCTION .....	8
COMPONENT INFORMATION .....	9
REFRIGERATOR INSTALLATION .....	10
Remove Packaging Materials .....	10
Location Requirements.....	10
Inside cabinet:.....	10
Outside cabinet: .....	10
Installation Clearance .....	11
Leveling.....	11
Stabilizing.....	11
Electrical Connection .....	11
OPERATION (Units Made Prior to July 2018).....	12
Refrigerated cycle.....	12
Power Switch:.....	12
SOLID-STATE THERMOSTAT DESCRIPTIONS (Units Made Prior to July 2018) .....	12
1. FRONT PANEL COMMANDS .....	12
2. MAIN FUNCTIONS .....	13
3. ALARM SIGNALLING.....	13
OPERATION (Units Made After July 2018).....	14
Refrigerated cycle.....	14
Power Switch:.....	14
SOLID-STATE THERMOSTAT DESCRIPTIONS (Units Made After July 2018) .....	14
1. FRONT PANEL COMMANDS .....	14
2. MAIN FUNCTIONS .....	15
3. ALARM SIGNALLING.....	15
CLEANING AND MAINTENANCE.....	16
Exterior and Interior Cleaning of Refrigerators.....	16
Cleaning the Condenser Coil.....	16
Stainless Steel Care and Cleaning .....	17
Gasket Maintenance .....	17
Doors/Hinges.....	17
Drain Maintenance .....	17
TROUBLESHOOTING GUIDE .....	18
TROUBLESHOOTING .....	18
WIRING DIAGRAMS.....	19
PARTS .....	23

**VISIT OUR WEBSITE for the MOST UP-TO-DATE VERSION of this MANUAL.**

<http://www.maximumfoodservice.com/>

Fill out and return the enclosed warranty postcard or visit our website/warranty registration.  
Keep the dated proof of purchase invoice which establishes the appliance's warranty period.

**SERIAL #:** \_\_\_\_\_

**INSTALL DATE:** \_\_\_\_\_ **MODEL #:** \_\_\_\_\_

## **SERIAL NUMBER INFORMATION**

- The serial number of all self-contained refrigerators is located inside the unit on the left hand side near the top on the wall.
- Always have the serial number of your unit available when calling for parts or service.
- This manual covers standard units only. If you have a custom unit, consult customer service department at the number listed on cover page.

**READ THIS MANUAL IN ITS ENTIRETY  
TO HELP FAMILIARIZE YOURSELF WITH YOUR NEW EQUIPMENT BEFORE PROCEEDING.**  
We have provided many important safety messages in this manual.  
Always read and obey all safety messages.  
Understanding of safety messages will assist in alerting you to potential hazards, as well as tell you  
how to reduce the chance of injury. Follow the instructions as outlined in this manual.

*Due to periodic changes in designs, methods, procedures, policies and regulations, the contents of this manual are subject to change without notice. While we exercise good faith efforts to provide information that is accurate, we are not responsible for errors or omissions in information provided or conclusions reached as a result of using this reference manual. By using the information provided, the user assumes all risks in connection with such use.*

# REFRIGERATOR SAFETY

Always read and obey all safety messages.



This is the Safety Alert Symbol. This symbol alerts you to potential hazards that can injure or kill you and others. All safety messages will follow the Safety Alert Symbol and either the words “**DANGER**”, “**WARNING**” OR “**CAUTION**”.

## **DANGER**

**DANGER** means that failure to heed this safety statement may result in Death or Severe Personnel Injury.

## **WARNING**

**WARNING** means that failure to heed this safety statement may result in extensive product damage, serious personal injury, or death.

## **CAUTION**

**CAUTION** means that failure to heed this safety statement may result in minor or moderate personal injury, or property or equipment damage.

All safety messages will alert you to what the potential hazard is, tell you how to reduce the chance of injury, and let you know what can happen if the instructions are not followed.



## **NOTE: IMPORTANT SAFETY INSTRUCTIONS**

### **WARNING**

To reduce the risk of fire, electric shock or injury, when using your refrigerator, follow these basic precautions:

- Plug into grounded 3-prong outlet.
- Do not remove grounding prong.
- Do not use an adapter.
- Do not use an extension cord.
- Disconnect power before cleaning.
- Disconnect power before servicing.
- Use 2 or more people to move and install refrigerator.

## **SAVE THESE INSTRUCTIONS**

## IMPORTANT SAFEGUARDS



Before the refrigerator is used, it must be properly positioned and installed as described in this manual, so read the manual carefully. We strongly recommend that you have a professional install your new machine. The warranty may be affected or voided by an incorrect installation. To reduce the risk of fire, electrical shock or injury when using the refrigerator, follow basic precautions, including the following:

### DANGER

- It is recommended that a separate circuit, serving only your refrigerator, be provided. Use receptacles that cannot be turned off by a switch or pull chain.
- Please ensure that the required voltage is being supplied at all times.
- The unit should be plugged into a grounded and properly-sized electrical outlet with appropriate over-current protection.
- Ensure unit is not resting on or against the electrical cord.
- Do not connect or disconnect the electric plug when your hands are wet.
- Never unplug the refrigerator by pulling on the power cord. Always grip the plug firmly and pull straight out from the outlet.
- Never clean refrigerator parts with flammable fluids. Do not store or use gasoline or other flammable vapors and liquids in the vicinity of this or any other appliance. The fumes can create a fire hazard or explosion.
- Before proceeding with cleaning and maintenance operations, make sure the power line of the unit is disconnected.
- Unplug the refrigerator or disconnect power before cleaning or servicing. Failure to do so can result in electrical shock or death.
- If the unit is not in use for a long period of time, best to unplug the unit from the outlet.
- After unplugging the unit, wait at least 10 minutes before plugging it back in. Failure to do so could cause damage to the compressor.
- If the power cuts off, wait at least 5 minutes before turning the unit on to avoid damage to the compressor.
- Do not attempt to repair or replace any part of your refrigerator unless it is specifically recommended in this manual. A qualified technician should do all other servicing or repairs.

### WARNING

- Use two or more people to move and install refrigerator. Failure to do so can result in back or other injury.
- This refrigerator must be properly installed and located in accordance with the Installation Instructions before it is used.
- Do not touch the cold surfaces in the refrigerator compartment when hands are damp or wet. Skin may stick to these extremely cold surfaces.
- Setting temperature controls to the ZERO (0) position does not remove power to the light circuit, perimeter heaters, or evaporator fans.
- To ensure proper ventilation for your refrigerator, choose a well-ventilated area with temperatures above 50°F (10°C) and below 100°F (38°C). This unit MUST be installed in an area protected from the elements, such as wind, rain, water spray or drips.
- The refrigerator should not be located next to ovens, grills or other sources of high heat.
- It is important for the refrigerator to be level for proper operation. You may need to make adjustments to level it.
- Remove the packing materials and clean the refrigerator before using.
- Do not use this apparatus for other than its intended purpose.

## **IMPORTANT SAFEGUARDS (cont.)**

### **Electrical Connection**

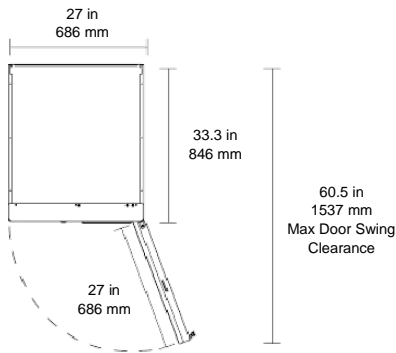
Do not, under any circumstances, cut or remove the third (ground) prong from the power cord. For personal safety, this appliance must be properly grounded. The power cord of this appliance is equipped with a 3-prong grounding plug that mates with a standard 3-prong grounding wall outlet to minimize the possibility of electric shock hazard from the appliance. Have the wall outlet and circuit checked by a qualified electrician to make sure the outlet is properly grounded. The refrigerator should always be plugged into its own individual electrical outlet which has a voltage rating that matches the rating label on the appliance. This provides the best performance and also prevents overloading house wiring circuits which could cause a fire hazard from overheated wires. Repair or replace immediately all power cords that have become frayed or otherwise damaged. Do not use a cord that shows cracks or abrasion damage along its length or at either end. When moving the refrigerator, be careful not to damage the power cord.

### **Refrigerant Disposal**

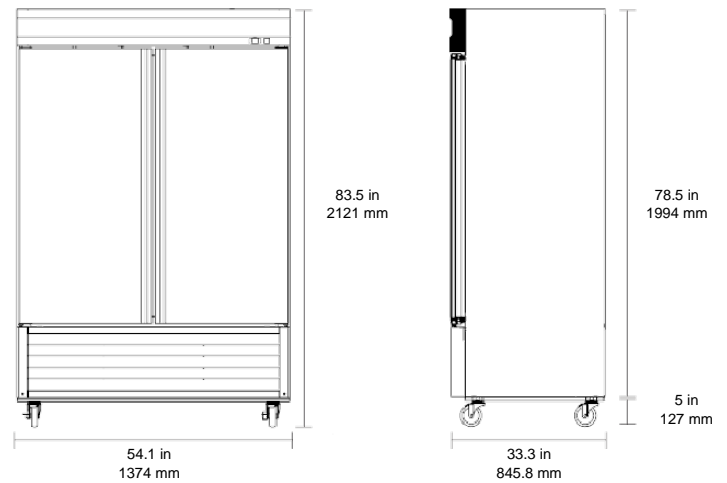
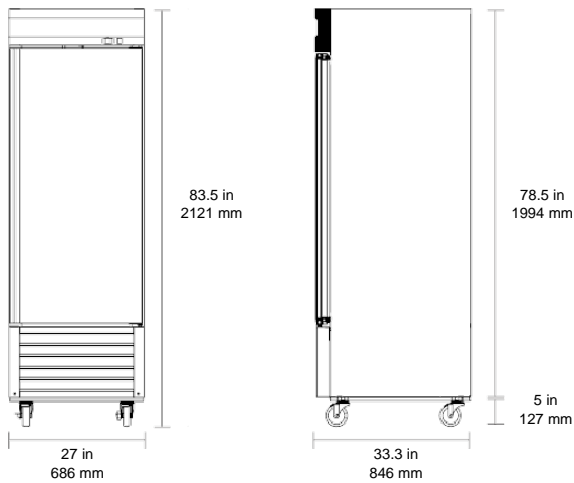
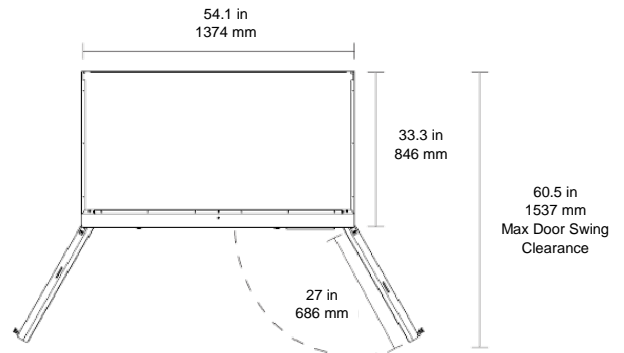
If you are throwing away your old refrigerator it may have a cooling system that uses "Ozone Depleting" chemicals. Make sure the refrigerant is removed for proper disposal by a qualified service technician.

# DIMENSIONS

## MXSR-23FD/GD



## MXSR-49FD/GD



The overall height of the unit may be reduced by over 2" with an optional shorter caster set of 4 heavy duty casters (2 come with brakes).

## TECHNICAL INFORMATION

Model	MXSR-23FD	MXSR-23GD	MXSR-49FD	MXSR-49GD
In: Overall Dimension W*D*H	27 x 33.3 x 83.5	27 x 33.3 x 83.5	54.1 x 33.3 x 83.5	54.1 x 33.3 x 83.5
mm: Overall Dimension W*D*H	686 x 846 x 2121	686 x 846 x 2121	1374 x 846 x 2121	1374 x 846 x 2121
Nominal Capacity	19.3 Cu Ft / 547 L	19.3 Cu Ft / 547 L	42.9 Cu Ft / 1215 L	42.9 Cu Ft / 1215 L
Unit Weight	280 lbs / 127 kg	280 lbs / 127 kg	470 lbs / 213 kg	470 lbs / 213 kg
Hinged Doors	1	1	2	2
Shelves	3	3	6	6
Electrical Service	110V/60Hz/1Ph	110V/60Hz/1Ph	110V/60Hz/1Ph	110V/60Hz/1Ph
Wattage	320 W	320 W	520 W	520 W
Average Amp Draw	1	1.2	1.3	1.6
Refrigerant	R-134A	R-134A	R-134A	R-134A
Provided 6' NEMA Cord Set	5-15	5-15	5-15	5-15
Factory Temperature Setting	39°F (4°C)	39°F (4°C)	39°F (4°C)	39°F (4°C)

## RECEIVING AND INSPECTING THE EQUIPMENT

Even though most equipment is shipped crated, care should be taken during unloading so the equipment is not damaged while being moved into the building.

1. Visually inspect the exterior of the package and skid or container. Any damage should be noted and reported to the delivering carrier immediately.
2. If damaged, open and inspect the contents with the carrier.
3. In the event that the exterior is not damaged, yet upon opening, there is concealed damage to the equipment, notify the carrier. Notification should be made verbally as well as in written form.
4. Request an inspection by the shipping company of the damaged equipment. This should be done within 10 days from receipt of the equipment.
5. Be certain to check the compressor compartment housing and visually inspect the refrigeration package. Be sure lines are secure and base is still intact.
6. Freight carriers can supply the necessary damage forms upon request.
7. Retain all crating material until an inspection has been made or waived.

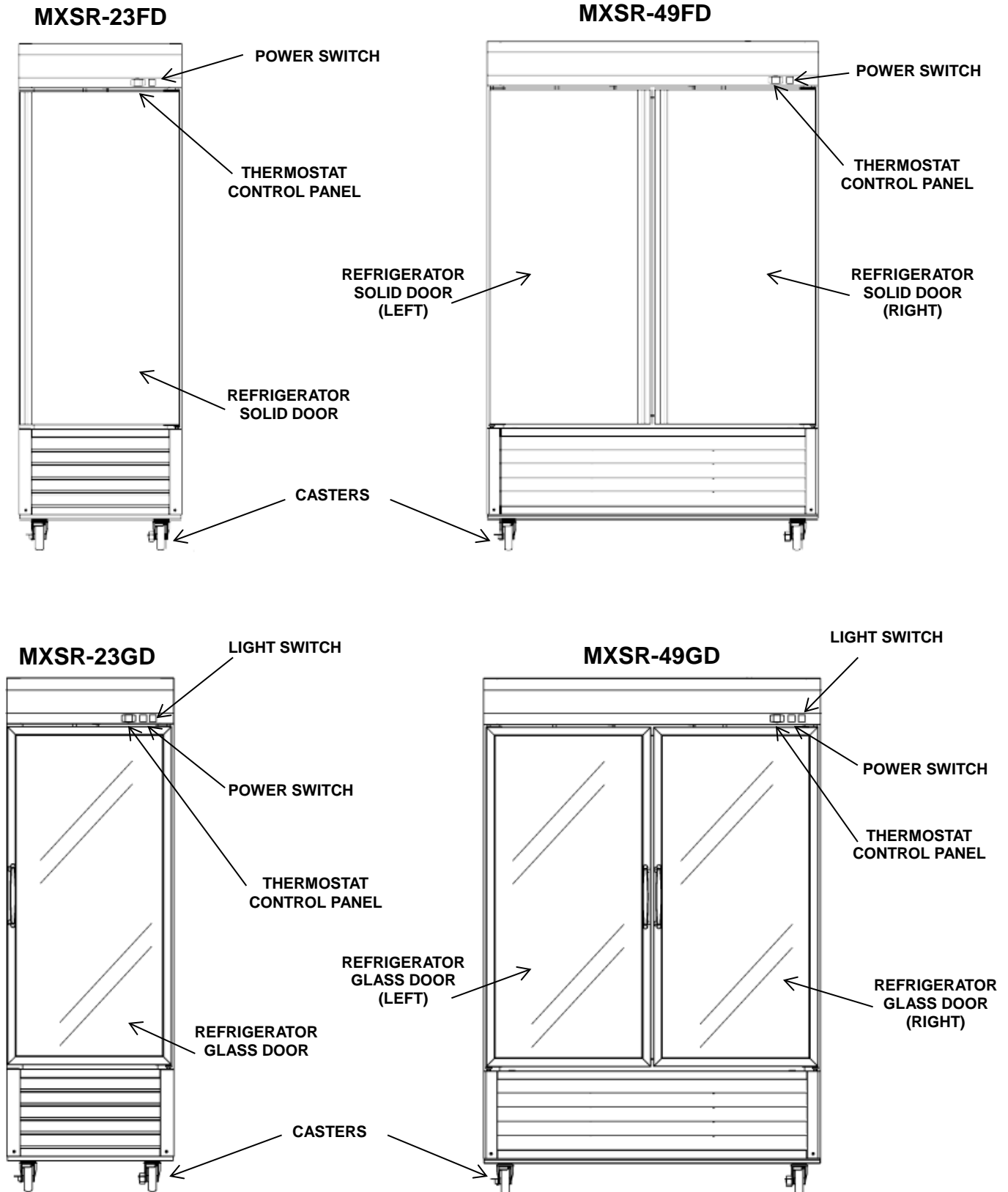
## INTRODUCTION

This user's manual is intended for installing, using and servicing your Maxx Cold Select Series Reach-In Refrigerator. It is recommended that this manual be kept in an accessible place. Every Maxx Cold machine is designed and manufactured according to the highest standards of safety and performance. It meets or exceeds the safety standard of UL 471 and sanitation standard NSF 7.

The Legacy Companies assumes no liability or responsibility of any kind for products manufactured by Maxx Cold, that have been altered in any way, including the use of any parts and/or other components not specifically approved by The Legacy Companies. Maxx Cold reserves the right to make design changes and/or improvements at any time. Specifications and designs are subject to change without notice.



# COMPONENT INFORMATION



# REFRIGERATOR INSTALLATION

## WARNING

### Excessive Weight Hazard

Use two or more persons to move and install refrigerators.  
Failure to do so may result in back or other injury.

## Remove Packaging Materials

### IMPORTANT:

Do not remove any permanent instruction labels or the data label on your refrigerator.

- Remove tape and glue from your refrigerator before using.
- To remove any remaining tape or glue, rub the area briskly with your thumb. Tape or glue residue can also be easily removed by rubbing a small amount of liquid dish soap over the adhesive with your fingers. Wipe with warm water and dry with a soft cloth.
- Do not use sharp instruments, rubbing alcohol, flammable fluids, or abrasive cleaners to remove tape or glue. These products can damage the surface of your refrigerator.

### NOTICE:

*LOSS OR SPOILAGE OF PRODUCTS IN YOUR REFRIGERATOR IS NOT COVERED BY WARRANTY. IN ADDITION TO FOLLOWING RECOMMENDED INSTALLATION PROCEDURES. PLEASE RUN THE REFRIGERATOR 24 HOURS PRIOR TO USAGE.*

## Location Requirements

- Refrigerators represented in this manual are intended for indoor use only.
- Be sure the location chosen has a floor strong enough to support the total weight of the cabinet and contents as a fully loaded unit can weigh as much as 1500 pounds.
- Reinforce the floor as necessary to provide for maximum loading.
- For the most efficient refrigeration, be sure to provide good air circulation inside and out.

### Inside cabinet:

Do not pack the units so full that air cannot circulate. The refrigerated air is discharged at the top rear of the unit. It is important to allow for proper air flow from the top rear to the bottom of the unit. Obstructions to this air flow can cause evaporator coil freeze ups and loss of temperature or overflow of water from the evaporator drain pan. The shelves have a rear turn up on them to prevent this. However, bags and other items can still be located to the far rear of the cabinet. Air is brought into the evaporator coil with fans mounted to the front of the coil.

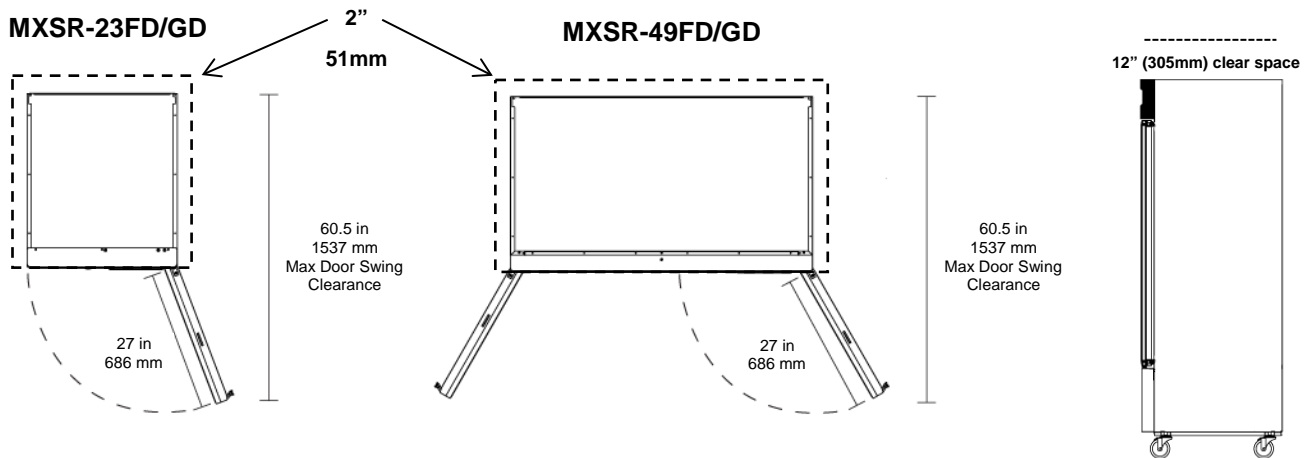
### Outside cabinet:

Be sure that the unit has access to ample air. Avoid hot corners and locations near stoves and ovens.

It is recommended that the unit be installed no closer than 2" (51mm) from any wall, a max door swing clearance of 60.5 in. (1537mm) and with at least a 12" (305mm) of clear space above the unit.

# REFRIGERATOR INSTALLATION (cont.)

## Installation Clearance



## Leveling

Ensure the floor where the unit is to be located is level.

## Stabilizing

All models are supplied with casters for your convenience. It is very important, however, that the cabinet be installed in a stable condition with the front wheels locked while in use. Should it become necessary to lay the unit on its side or back for any reason, allow at least 24 hours before start-up to allow compressor oil to flow back into place. Failure to meet this requirement can cause compressor failure and unit damage.

### **NOTICE:**

***Unit repairs will not be subject to standard unit warranties if due to improper installation procedures.***

## Electrical Connection

Refer to the amperage data on the Technical Information table, the serial tag, your local code or the National Electrical Code to be sure that unit is connected to the proper power source.



### **DANGER**

**The unit must be turned OFF and disconnected from the power source whenever performing service, maintenance functions or cleaning the refrigerated area. Failure to comply may result in Death or Severe Personnel Injury.**

# OPERATION (Units Made Prior to July 2018)

## Refrigerated cycle

**Refrigerators:** During the refrigeration cycle, the evaporator fans will run continuously even when one or more doors are open. The door switch will activate the lights when opened on solid door models only. Glass door models lights are turned on manually using a switch located next to the main power switch.

1. Every 6 hours, the unit will turn off and to allow the evaporator coil to air defrost. The controller now displays defrost symbol. When the coil temperature reaches 53°F (12°C) or after 30 minutes of defrost, the unit will turn on again.
2. Anti-condensation heaters on door frames work in conjunction with the compressor.
3. Recommended holding temperature range: 34° to 40°F (2° to 5°C).
4. Comes factory set to 39°F (4°C).

## Power Switch:

The power switch is located on the front of the bottom panel. When the unit is on, the switch will glow green.

# SOLID-STATE THERMOSTAT DESCRIPTIONS (Units Made Prior to July 2018)

## 1. FRONT PANEL COMMANDS



### Press and release

- Scroll through menu items
- Increases values

### Press for at least 5 seconds

- Activates the Manual Defrost function



### Press and release

- Returns to the previous menu level
- Confirms parameter value

### Press for at least 5 seconds

- Activates the Standby function (OFF)  
(when outside the menus)



### Press and release

- Scroll through menu items
- Decreases values

### Press for at least 5 seconds

- Configurable function by user



### Press and release

- Displays alarms (if active)
- Opens Machine Status menu
- Confirm commands

### Press for at least 5 seconds

- Opens Programming menu

## 1.1 Function of LEDs

LED	MODE	SIGNIFICANCE
	On	Compressor enabled
	Flashing	a delay, a protection or a locked start-up
	On	Defrost in progress
	Flashing	manual or Digital Input (D.I.) activation
	On	Fans output enabled
	On	alarm active
	Flashing	alarm acknowledged

# OPERATION (Units Made Prior to July 2018) (cont.)



## 2. MAIN FUNCTIONS

### 2.1 HOW TO SEE THE SET POINT


1. Push and immediately release the **SET** key: the 'SET' label appears;
2. To display the Set point value press the **SET** key;
3. Wait about 15 seconds to return to normal visualization.



### 2.2 HOW TO CHANGE THE SETPOINT

1. Push and immediately release the **SET** key: the 'SET' label appears;
2. To display the Set point value press the **SET** key;
3. To change the Set value push the  or  arrows.
4. Press **SET** key to confirm the modification.

### 2.3 HOW TO START A MANUAL DEFFROST

Push the  key for more than 5 seconds and a manual defrost will start. If the defrost conditions:

- parameter OdO  $\neq$  0
- probe Pb2 temperature is higher than the defrost end temperature

are not satisfied, the display will flash 3 times, to indicate that the operation will not be carried out.

### 2.4 TO LOCK THE KEYBOARD

It is possible to disable the keypad on this device. The keypad can be locked by programming the 'LOC' parameter. With the keypad locked you can still access the 'Machine Status' menu by pressing **SET** key to display the Set point, but you cannot edit them.

### 2.5 TO UNLOCK THE KEYBOARD

To disable the keypad lock repeat the locking procedure.

## 3. ALARM SIGNALLING

Alarms are always indicated by the buzzer (if present)

and the alarm icon .

To switch off the buzzer, press and release any key; the corresponding icon will continue to flash.

Label	Cause	Effects
E1	<ul style="list-style-type: none"> <li>• measured values are outside operating range</li> <li>• Probe faulty/short-circuited/open</li> </ul>	<ul style="list-style-type: none"> <li>• Display label E1</li> <li>• Alarm icon permanently on</li> <li>• Disable max/min alarm controller</li> <li>• Compressor operation based on parameters <b>Ont</b> and <b>OFt</b></li> </ul>
E2	<ul style="list-style-type: none"> <li>• measured values are outside operating range</li> <li>• Probe faulty/short-circuited/open</li> </ul>	<ul style="list-style-type: none"> <li>• Display label E2</li> <li>• Alarm icon permanently on</li> <li>• The Defrost cycle will end due to Timeout (<b>dEt</b>)</li> <li>• The evaporator fans will work in Duty Cycle mode</li> </ul>
AH1	value read by <b>Pb1&gt;HAL</b> after time of <b>tAO</b> . (see 'MAX/MIN TEMPERATURE ALARMS')	<ul style="list-style-type: none"> <li>• Recording of label <b>AH1</b> in folder AL</li> <li>• No effect on regulation</li> </ul>
AL1	value read by <b>Pb1&lt;LAL</b> after time of <b>tAO</b> . (see 'MAX/MIN TEMPERATURE ALARMS')	<ul style="list-style-type: none"> <li>• Recording of label <b>AL1</b> in folder AL</li> <li>• No effect on regulation</li> </ul>
EA	digital input activation ( <b>H11 = ±5</b> )	<ul style="list-style-type: none"> <li>• Recording of label <b>EA</b> in folder AL</li> <li>• Alarm icon permanently on</li> <li>• Regulation locked if <b>EAL = y</b></li> </ul>
OPd	digital input activation ( <b>H11 = ±4</b> ) (for longer than <b>tdO</b> )	<ul style="list-style-type: none"> <li>• Recording of label <b>OPd</b> in folder AL</li> <li>• Alarm icon permanently on</li> <li>• Controller locked</li> </ul>
Ad2	end of defrost cycle due to timeout rather than due to defrost end temperature being recorded by probe Pb2.	<ul style="list-style-type: none"> <li>• Recording of label <b>Ad2</b> in folder AL</li> <li>• Alarm icon permanently on</li> </ul>

## OPERATION (Units Made After July 2018)

### Refrigerated cycle

**Refrigerators:** During the refrigeration cycle, the evaporator fans will run continuously even when one or more doors are open. The door switch will activate the lights when opened on solid door models only. Glass door models lights are turned on manually using a switch located next to the main power switch.

1. Every 6 hours, the unit will turn off and to allow the evaporator coil to air defrost. The controller now displays defrost symbol. When the coil temperature reaches 53°F (12°C) or after 30 minutes of defrost, the unit will turn on again.
2. Anti-condensation heaters on door frames work in conjunction with the compressor.
3. Recommended holding temperature range: 34° to 40°F (2° to 5°C).
4. Comes factory set to 39°F (4°C).

### Power Switch:

The power switch is located on the front of the bottom panel. When the unit is on, the switch will glow green.

## SOLID-STATE THERMOSTAT DESCRIPTIONS (Units Made After July 2018)

### 1. FRONT PANEL COMMANDS.



**SET:** To display target set point; in programming mode it selects a parameter or confirm an operation.



To start a manual defrost.



In programming mode it browses the parameter codes or increases the displayed value.



In programming mode it browses the parameter codes or decreases the displayed value.

### KEYS COMBINATION



To lock or unlock the keyboard.



To enter in programming mode.



To return to room temperature display.

### 1.1 Function of LEDS

LED	MODE	SIGNIFICANCE
	On	Compressor enabled
	Flashing	Anti short cycle delay enabled (AC parameter)
	On	Defrost in progress
	Flashing	Dripping in progress
	On	Fans output enabled
	Flashing	Fans delay after defrost
°C	On	Measurement unit
	Flashing	Programming mode
°F	On	Measurement unit
	Flashing	Programming mode

## OPERATION (Units Made After July 2018) (cont.)



### 2. MAIN FUNCTIONS

#### 2.1 HOW TO SEE THE SET POINT


1. Push and immediately release the **SET** key, the set point will be showed;
2. Push and immediately release the **SET** key or wait about 5s to return to normal visualization.



#### 2.2 HOW TO CHANGE THE SETPOINT



1. Push the SET key for more than 2 seconds to change the Set point value;
2. The value of the set point will be displayed and the “°C” or “°F” LED starts blinking;
3. To change the Set value push the  or  arrows.
4. To memorize the new set point value push the SET key again or wait 10s.

#### 2.3 HOW TO START A MANUAL DEFFROST

Push the **DEF**  key for more than 2 seconds and a manual defrost will start





#### 2.4 TO LOCK THE KEYBOARD

1. Keep pressed for more than 3s the  and  keys.
2. The “OF” message will be displayed and the keyboard will be locked. If a key is pressed more than 3s the “OF” message will be displayed.



#### 2.5 TO UNLOCK THE KEYBOARD

Keep pressed together for more than 3s the  and  keys till the “on” message will be displayed.

### 3. ALARM SIGNALLING

Mess.	Cause	Outputs
"P1"	Room probe failure	Compressor output according to "Cy" e "Cn"
"P2"	Evaporator probe failure	Defrost end is timed
"HA"	Maximum temperature alarm	Outputs unchanged
"LA"	Minimum temperature alarm	Outputs unchanged
"EA"	External alarm	Outputs unchanged
"CA"	Serious external alarm	All outputs OFF
"dA"	Door Open	Compressor and fans restarts

#### 3.1. ALARM RECOVERY

Probe alarms **P1** and **P2** start some seconds after the fault in the related probe; they automatically stop some seconds after the probe restarts normal operation. Check connections before replacing the probe. Temperature alarms **HA** and **LA** automatically stop as soon as the temperature returns to normal values. Alarms **EA** and **CA** (with iF=bL) recover as soon as the digital input is disabled.

## CLEANING AND MAINTENANCE



### **DANGER**

**The unit must be turned off and disconnected from the power source whenever performing service, maintenance functions or cleaning the refrigerated area. Failure to comply may result in death or severe personnel injury.**

### **Exterior and Interior Cleaning of Refrigerators**

Clean using soap and warm water. If this isn't sufficient, try ammonia and water or a nonabrasive liquid cleaner. When cleaning the exterior, always rub with the "grain" of the stainless steel to avoid marring the finish.

- Do not use an abrasive cleaner because it will scratch the stainless steel and plastic and can damage the breaker strips and gaskets.

### **Cleaning the Condenser Coil**

Regular cleaning is recommended every 90 days. In some instances, you may find that there is a large amount of debris and dust or grease accumulated prior to the 90 day time frame. In these cases the condenser coil should be cleaned every 30 days.

If the buildup on the coil consists of only light dust and debris, the condenser coil can be cleaned with a simple brush. Heavier dust build-up may require a vacuum or even compressed air to blow through the condenser coil.

If heavy grease is present, there are de-greasing agents available for refrigeration use and specifically for the condenser coils. The condenser coil may require cleaning with the de-greasing agent and then blown through with compressed air.

Failure to maintain a clean condenser coil can initially cause high temperatures and excessive run times. Continuous operation with dirty or clogged condenser coils can result in compressor failures. Neglecting the condenser coil cleaning procedures will void any warranties associated with the compressor or cost to replace the compressor.

- For efficient operation, keep the condenser surface free of dust, dirt, and lint.
- We recommend cleaning the condenser coil at least once per month.
- Clean the condenser with a commercial condenser coil cleaner and a soft brush, available from any commercial refrigeration equipment retailer, or vacuuming the condenser with a shop vac or use CO<sub>2</sub>.



### **CAUTION**

**Never use a high pressure water wash for this cleaning procedure as water can damage the electrical components located near or at the condenser coil.**

In order to maintain proper refrigeration performance, the condenser fins must be cleaned of dust, dirt and grease regularly. It is recommended that this be done at least every three months. If conditions are such that the condenser is totally blocked in three months, the frequency of cleaning should be increased. Clean the condenser with a vacuum cleaner or stiff brush. If extremely dirty, a commercial-grade condenser cleaner may be required.



## CLEANING AND MAINTENANCE (cont.)

### Stainless Steel Care and Cleaning

To prevent rust or discoloration on stainless steel several important steps need to be taken. First, we need to understand the properties of stainless steel. Stainless steel contains 70-80% iron which will rust. It also contains 12-30% chromium which forms an invisible passive film over the steel's surface which acts as a shield against corrosion. As long as the protective layer is intact, the metal is still stainless. If the film is broken or contaminated, outside elements can begin to breakdown the steel and begin to form rust or discoloration.



#### CAUTION

**Proper cleaning of stainless steel requires soft cloths or plastic scouring pads, never use steel pads, wire brushes or scrapers!**

Cleaning solutions need to be alkaline based or non-chloride based. Any cleaner containing chlorides will damage the protective film of the stainless steel. If cleaners containing chlorides are used, be sure to rinse and dry thoroughly.

Routine cleaning of stainless steel can be done with soap and water. Extreme stains or grease should be cleaned with a non-abrasive cleaner and plastic scrub pad. It is always good to rub with the grain of the steel. There are also stainless steel cleaners available which can restore and preserve the finish of the steel's protective layer.

Early signs of stainless steel breakdown can consist of small pits and cracks. If this has begun, clean thoroughly and start to apply stainless steel cleaners in attempt to restore the passivity of the steel.



#### CAUTION

**Never use an acid based cleaning solution! Many food products have an acidic content which can deteriorate the finish. Be sure to clean the stainless steel surfaces of all food products.**

### Gasket Maintenance

Gaskets require regular cleaning to prevent mold and mildew build up and also to keep the elasticity of the gasket.

Gasket cleaning can be done with the use of warm soapy water. Avoid full strength cleaning products on gaskets. Do not use sharp tools or knives to scrape or clean the gasket.

Gaskets can easily be replaced and don't require the use of tools or authorized service technicians. The gaskets are "Dart" style and can be pulled out of the groove in the door and replaced by pressing the new one back into place.

### Doors/Hinges

If the door is beginning to sag, tighten the screws that mount the hinge brackets to the frame of the unit. If the doors are loose or sagging, this can cause the hinge to pull out of the frame which may damage both doors and door hinges.

### Drain Maintenance

Each unit has a drain located inside the unit which removes the condensation from the evaporator coil and evaporates it into an external condensate evaporator pan. The drain can become loose or disconnected. If you notice excessive water accumulation on the inside of the unit, be sure the drain tube is connected from the evaporator housing to the condensate evaporator drain pan.

If water starts to collect underneath the unit, check the condensate evaporator drain tube to be sure it is still located inside the drain pan.

If your floor is not level, this can also cause drain problems. Be sure all drain lines are free of obstructions because this may cause water to back up and overflow the drain pans.

# TROUBLESHOOTING GUIDE

## BEFORE CALLING FOR SERVICE

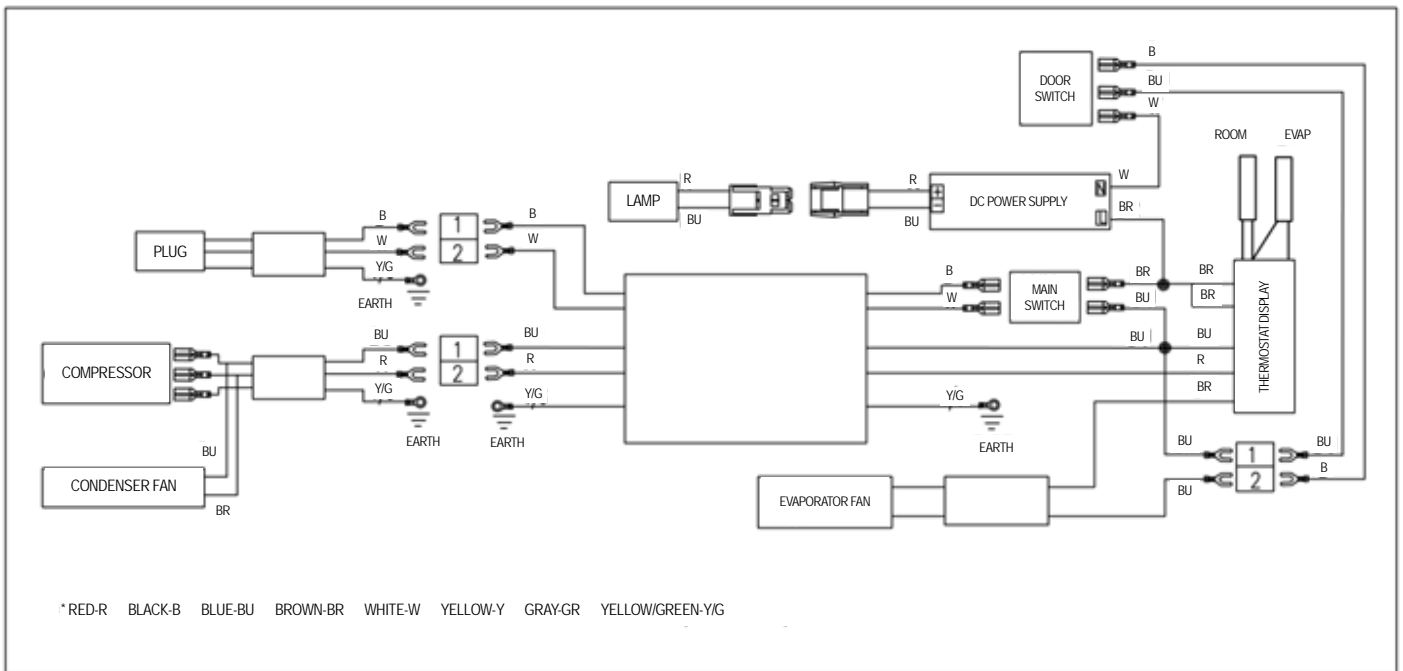
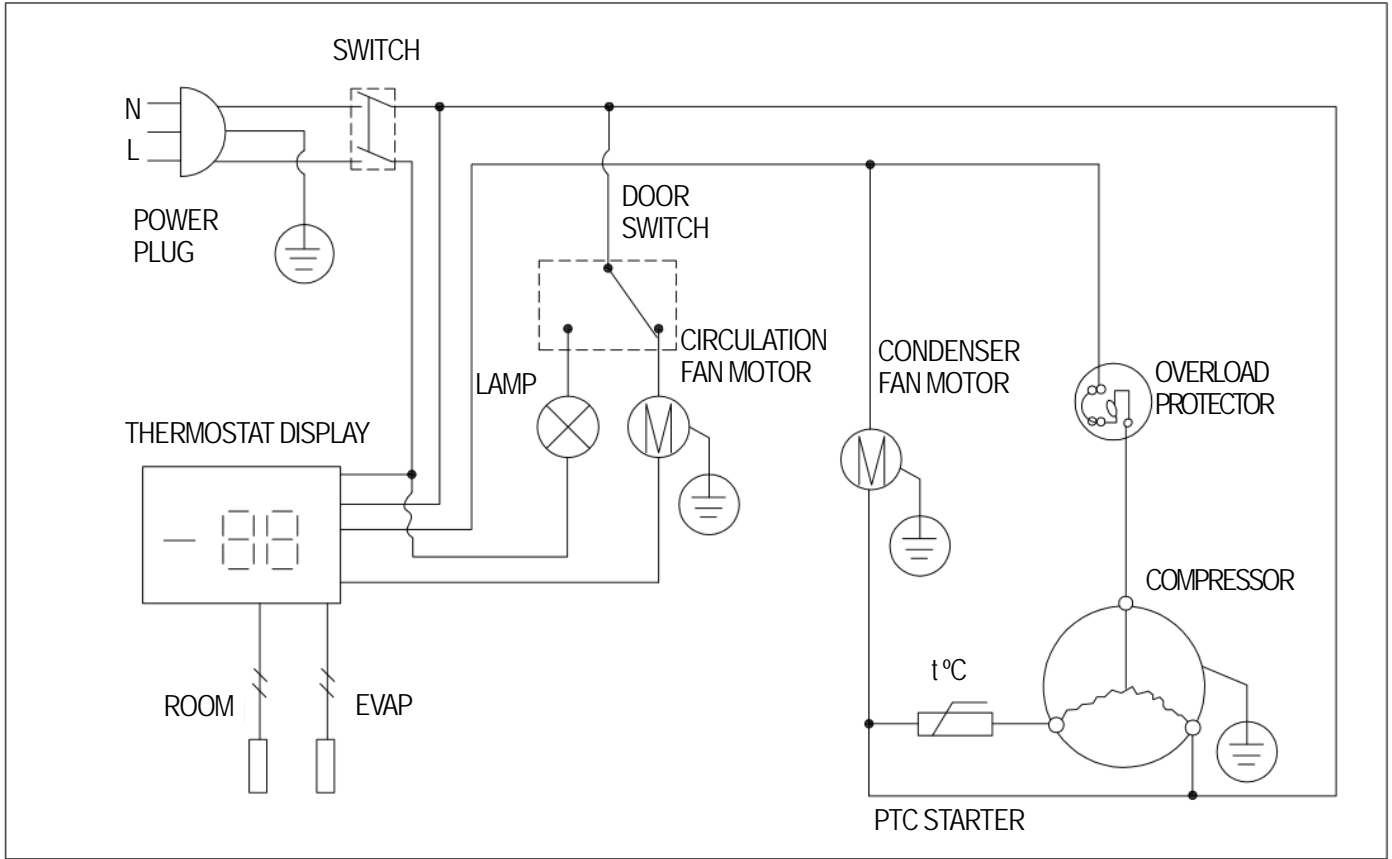
If the unit appears to be malfunctioning, read through the OPERATION section of this manual first. If the problem persists, see Troubleshooting below. The problem may be something very simple that can be solved without a service call.

## TROUBLESHOOTING

Fault	Probable Cause	Action
Compressor is Not Running	Fuse blown or circuit breaker tripped	Replace fuse or reset circuit breaker. If replacement of fuse or reset of circuit breaker doesn't correct the problem contact a qualified service technician.
	Power cord unplugged	Plug in power cord
	Thermostat set too high	Set thermostat to lower temperature
Cabinet Temperature is too Warm	Thermostat is set too high	Set thermostat to lower temperature.
	Airflow is blocked	Re-arrange products to allow for proper air flow. Make sure there is at least four inches of clearance from the fan
	Low refrigerant levels	Contact a qualified service technician to check refrigerant levels
	Door is slightly ajar	Make sure door is completely closed.
Interior Light is Not Working	Poor switch connection	Turn off light switch and turn it back on.
	Bulb is not connected	Make sure the bulb is correctly inserted in the socket.
	Bulb has burned out	Replace the bulb. If replacement of bulb doesn't correct the problem contact a qualified service technician.
Condensation is Collecting on the Cabinet and/or Floor	Gasket is not sealing properly	Clean, repair, or replace the gasket as necessary

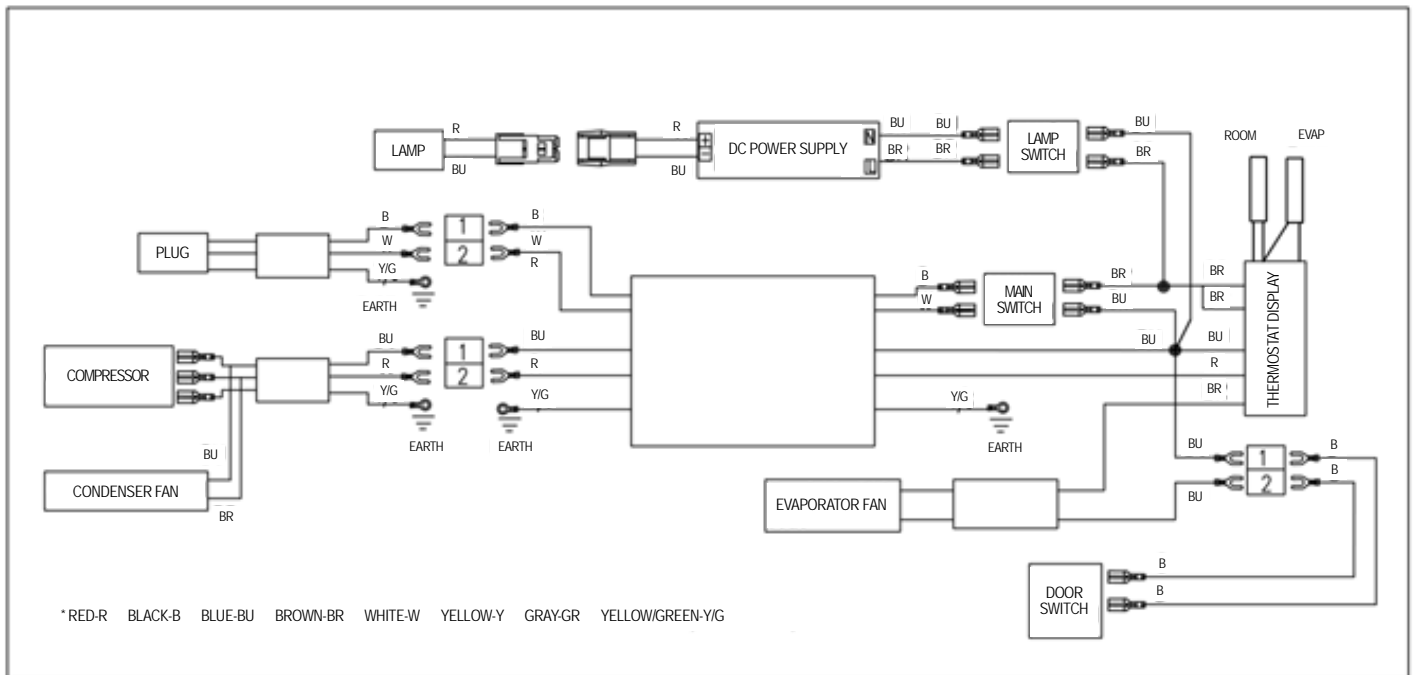
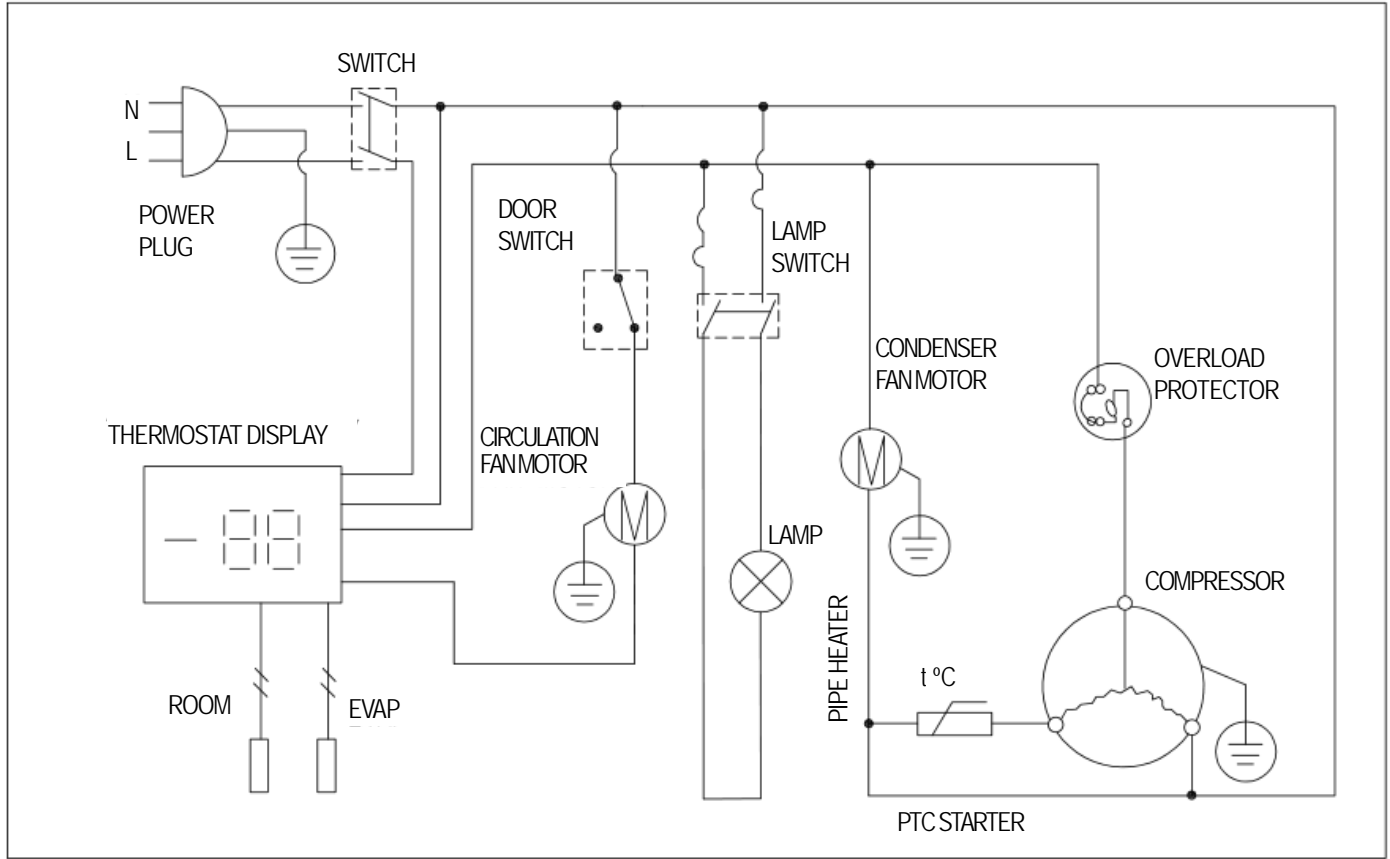
# WIRING DIAGRAMS

## MODEL: MXSR-23FD



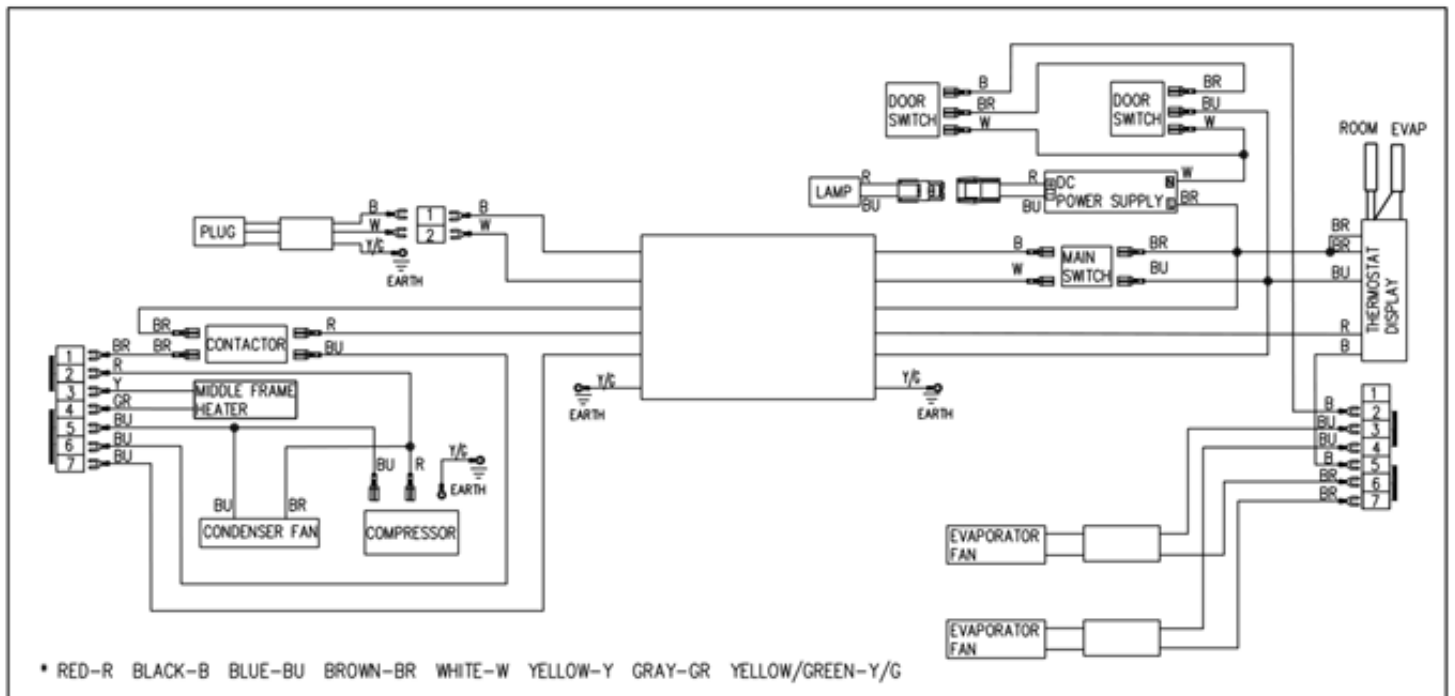
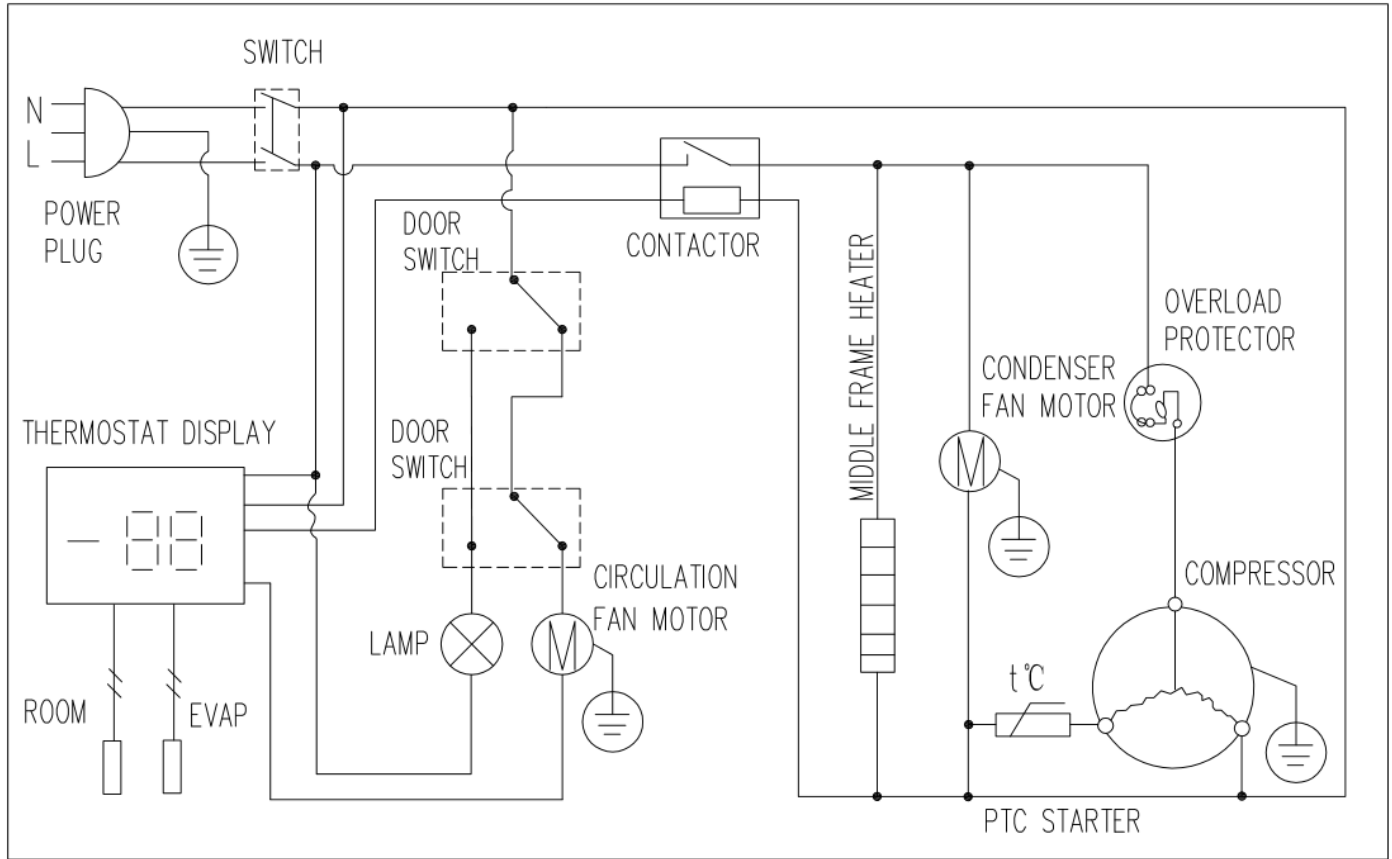
# WIRING DIAGRAMS (cont.)

## MODEL: MXSR-23GD



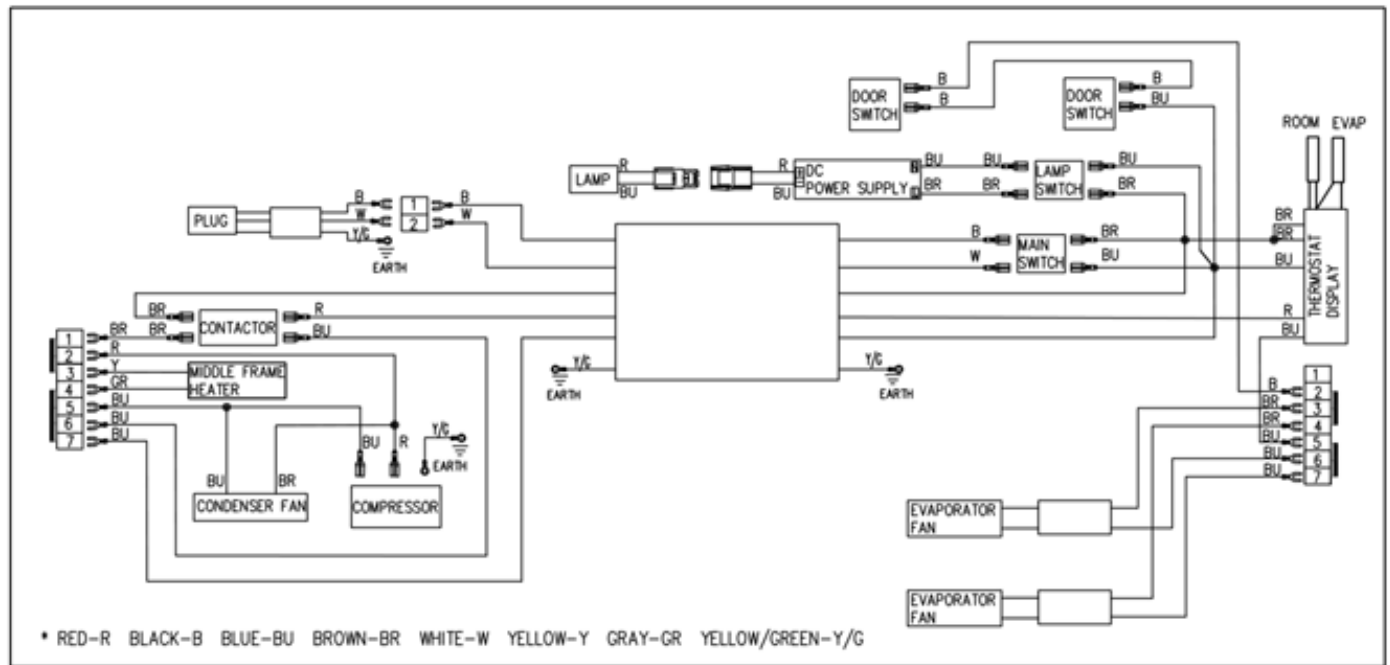
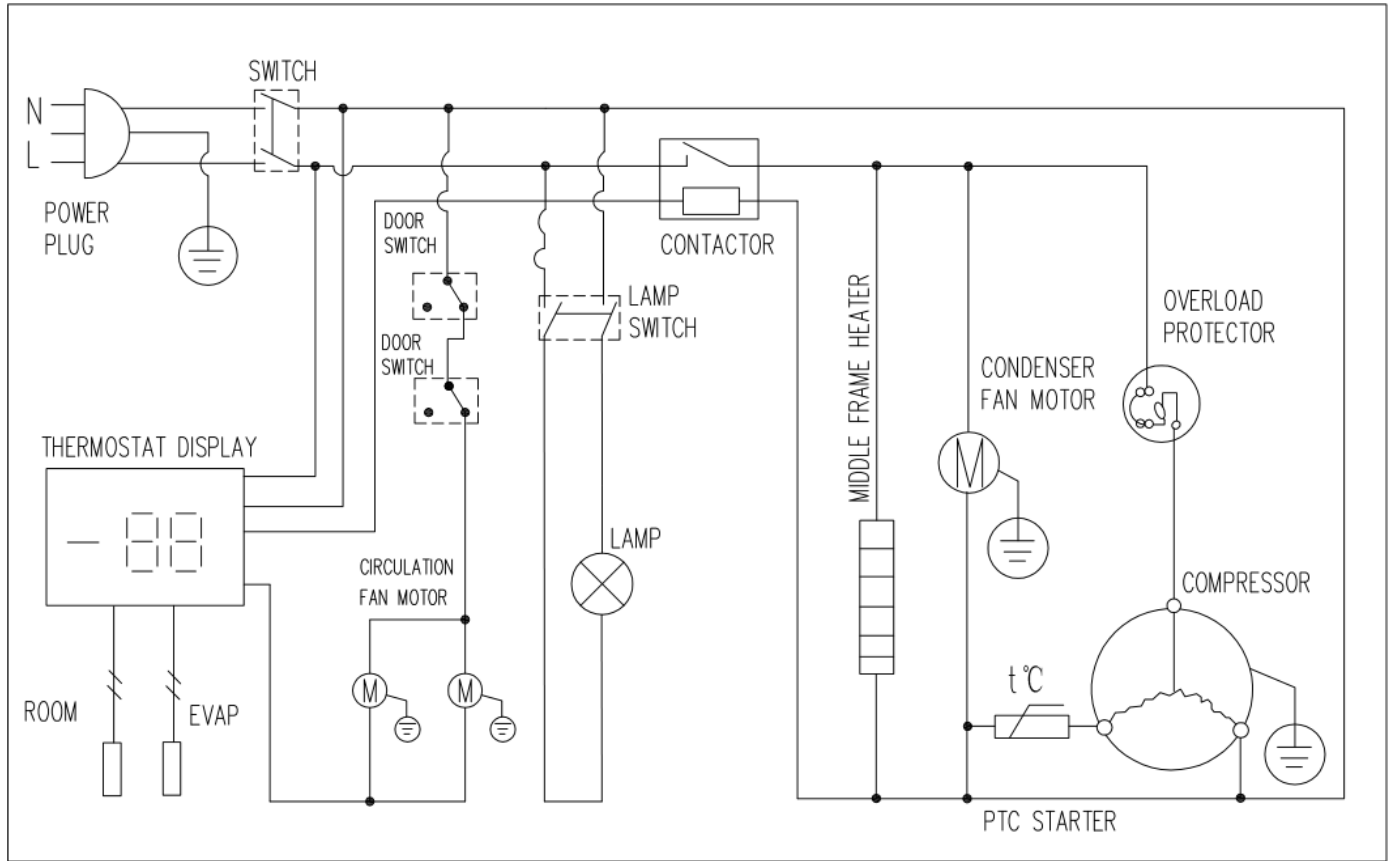
# WIRING DIAGRAMS (cont.)

## MODEL: MXSR-49FD



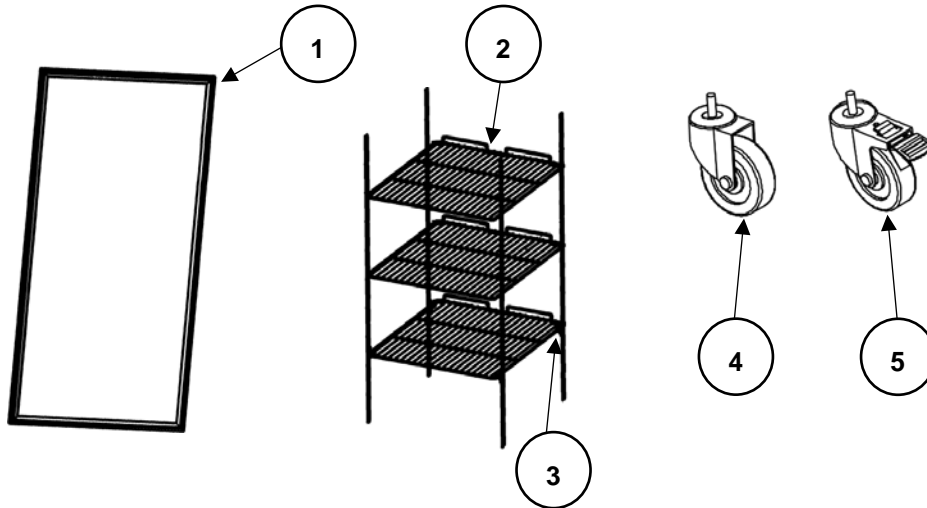
# WIRING DIAGRAMS (cont.)

## MODEL: MXSR-49GD



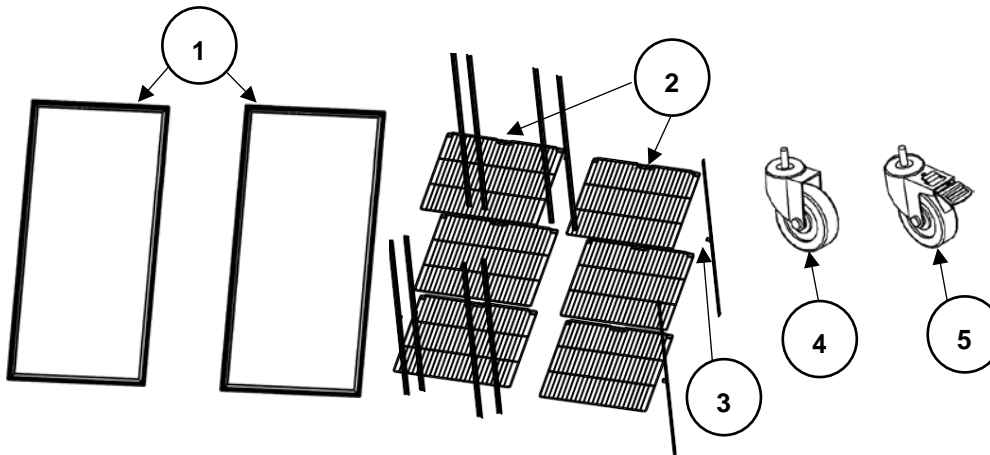
# PARTS

## MODEL: MXSR-23FD / MXSR-23GD



Item #	Part Number	Descriptions	Qty / Unit
1	SKA-2-110-0047-0	Gasket (solid door) MXSR-23FD	1
1	SKA-2-110-0062-0	Gasket (glass door) MXSR-23GD	1
2	SKA-2-120-0016-0	Shelf	3
3	SKC-2-110-0625-0	Shelf Clip	12
4	SKA-2-140-0002-0	Caster	2
5	SKA-2-140-0001-0	Caster with brake	2

## MODEL: MXSR-49FD / MXSR-49GD



Item #	Part Number	Descriptions	Qty / Unit
1	SKA-2-110-0047-0	Gasket (solid door) MXSR-49FD	2
1	SKA-2-110-0062-0	Gasket (glass door) MXSR-49GD	2
2	SKA-2-120-0015-0	Shelf	6
3	SKC-2-110-0625-0	Shelf Clip	24
4	SKA-2-140-0002-0	Caster	2
5	SKA-2-140-0001-0	Caster with brake	2

# TABLE des MATIÈRES

RENSEIGNEMENTS SUR LE NUMÉRO DE SÉRIE .....	25
SÉCURITÉ DU RÉFRIGÉRATEUR .....	26
MESURES DE PROTECTION IMPORTANTES .....	27
DIMENSIONS .....	29
RENSEIGNEMENTS TECHNIQUES .....	29
RÉCEPTION ET INSPECTION DE L'ÉQUIPEMENT .....	30
INTRODUCTION .....	30
RENSEIGNEMENTS SUR LES COMPOSANTS .....	31
INSTALLATION DU RÉFRIGÉRATEUR .....	32
Retirez le matériau d'emballage .....	32
Exigences en matière d'emplacement .....	32
Armoire intérieure : .....	32
Armoire extérieure : .....	32
Dégagement pour l'installation .....	33
Mise à niveau .....	33
Stabilisation .....	33
Raccordement électrique .....	33
UTILISATION .....	34
Cycle réfrigéré .....	34
Interrupteur d'alimentation : .....	34
DESCRIPTION DU THERMOSTAT À SEMI-CONDUCTEURS .....	34
1. COMMANDES DU PANNEAU AVANT .....	34
2. FONCTIONS PRINCIPALES .....	35
3. SIGNAL D'ALERTE .....	35
NETTOYAGE ET ENTRETIEN .....	38
Nettoyage de l'extérieur et l'intérieur des réfrigérateurs .....	38
Nettoyage du serpentín de condenseur .....	38
Entretien et nettoyage de l'acier inoxydable .....	39
Entretien des joints d'étanchéité .....	39
Portes/charnières .....	39
Entretien de l'écoulement .....	39
GUIDE DE DÉPANNAGE .....	40
DÉPANNAGE .....	40
DIAGRAMMES DE CÂBLAGE .....	41
PIÈCES .....	45



**VISITEZ NOTRE SITE WEB pour la VERSION LA PLUS RÉCENTE de ce MANUEL.**

<http://www.maximumfoodservice.com/>

Veillez remplir et renvoyer la carte postale de garantie ci-jointe ou visiter notre site Web/Enregistrement de garantie.  
Conservez la preuve datée de la facture d'achat qui détermine la période de garantie de l'appareil.

N° de SÉRIE : \_\_\_\_\_

DATE D'INSTALLATION : \_\_\_\_\_ N° DE MODÈLE : \_\_\_\_\_

## **RENSEIGNEMENTS SUR LE NUMÉRO DE SÉRIE**

- Le numéro de série de tous les réfrigérateurs autonomes est situé à l'intérieur de l'appareil du côté gauche, près du haut du mur.
- Vous devez toujours avoir le numéro de série de votre appareil à portée de la main lorsque vous demandez des pièces ou un service.
- Ce manuel est applicable aux appareils standards uniquement. Si vous avez un appareil sur mesure, veuillez communiquer avec le service à la clientèle, au numéro indiqué sur la page de garde.

**LISEZ CE MANUEL ENTIÈREMENT  
POUR VOUS AIDER À VOUS FAMILIARISER AVEC VOTRE NOUVEL ÉQUIPEMENT AVANT  
DE L'UTILISER.**

Nous avons fourni de nombreux messages de sécurité importants dans ce manuel.

Lisez et respectez toujours tous les messages de sécurité.

Comprendre les messages de sécurité permettra de vous avertir des dangers potentiels et vous indiquera comment réduire le risque de blessure. Suivez les instructions énoncées dans ce manuel.

*En raison de modifications régulières apportées aux conceptions, méthodes, procédures, politiques et réglementations, le contenu de ce manuel est susceptible d'être modifié sans préavis. Bien que nous nous efforcions de bonne foi à fournir des renseignements exacts, nous ne sommes pas responsables des erreurs ou omissions présentées par les renseignements fournis ni des conclusions tirées suite à l'utilisation de ce manuel de référence. Par son utilisation des renseignements fournis, l'utilisateur assume tous les risques associés à une telle utilisation.*

# SÉCURITÉ DU RÉFRIGÉRATEUR

Lisez et respectez toujours tous les messages de sécurité.



Voici le symbole d'alerte à la sécurité. Ce symbole vous avertit de dangers potentiels qui pourraient vous blesser ou vous tuer ainsi que d'autres personnes. Tous les messages de sécurité suivront le symbole d'alerte à la sécurité, ainsi que les mots « **DANGER** », « **AVERTISSEMENT** » OU « **ATTENTION** ».

## **DANGER**

**DANGER** signifie qu'un manque à respecter cette déclaration de sécurité peut entraîner la mort ou des blessures corporelles graves.

## **AVERTISSEMENT**

**AVERTISSEMENT** signifie qu'un manque à respecter cette déclaration de sécurité peut entraîner des dommages matériels considérables, des blessures corporelles graves ou la mort.

## **ATTENTION**

**ATTENTION** signifie qu'un manque à respecter cette déclaration de sécurité peut entraîner des blessures plus ou moins graves ou des dommages aux biens ou à l'équipement.

Tous les messages de sécurité vous alerteront en quoi le danger potentiel consiste, vous indiqueront comment réduire le risque de blessure et vous aviseront de ce qui pourrait se produire si vous ne suivez pas les instructions.



## **REMARQUE : CONSIGNES DE SÉCURITÉ IMPORTANTES**

### **AVERTISSEMENT**

Pour réduire le risque d'incendie, de choc électrique ou de blessure lorsque vous utilisez votre réfrigérateur, veuillez respecter ces précautions de base :

- Branchez dans une prise mise à la terre à 3 broches.
- Ne retirez pas la broche de mise à la terre.
- N'utilisez pas d'adaptateur.
- N'utilisez pas de rallonge électrique.
- Coupez l'alimentation électrique avant le nettoyage.
- Coupez l'alimentation électrique avant d'entamer un service.
- Deux personnes ou davantage sont nécessaires pour déplacer et installer le réfrigérateur.

## **CONSERVEZ CES CONSIGNES**

## MESURES DE PROTECTION IMPORTANTES



Avant d'utiliser le réfrigérateur, il faut le placer et l'installer correctement selon les instructions de ce manuel que vous devez donc lire avec soin. Nous recommandons fortement que vous fassiez appel à un professionnel pour l'installation de votre nouvel appareil. Une mauvaise installation pourrait nuire à la garantie ou l'annuler. Pour réduire le risque d'incendie, de choc électrique ou de blessure lorsque vous utilisez votre réfrigérateur, veuillez respecter les précautions de base, y compris les suivantes :

### DANGER

- Il est recommandé de disposer d'un circuit séparé qui desserve uniquement votre réfrigérateur. Utilisez des prises qui ne peuvent pas être éteintes par un interrupteur ou chaîne (tirette).
- Veuillez vous assurer que vous disposez en tout temps de la tension requise.
- L'appareil doit être branché dans une prise de courant mise à la terre et de taille correcte, dotée d'une protection appropriée contre la surintensité.
- Assurez-vous que l'appareil ne repose pas sur ou contre le cordon électrique.
- Ne branchez ou débranchez pas la fiche électrique lorsque vos mains sont mouillées.
- Ne débranchez jamais le réfrigérateur en tirant sur le cordon d'alimentation. Saisissez toujours la fiche fermement et retirez-la tout droit de la prise.
- Ne nettoyez jamais les pièces du réfrigérateur avec des fluides inflammables. N'entrez ou n'utilisez aucune essence ou autres vapeurs et liquides inflammables à proximité de cet appareil ou de tout autre appareil ménager. Les vapeurs pourraient entraîner un risque d'incendie ou d'explosion.
- Avant d'entamer le nettoyage et l'entretien, assurez-vous que la ligne d'alimentation électrique de l'appareil est déconnectée.
- Débranchez le réfrigérateur ou coupez l'alimentation électrique avant le nettoyage ou le service. Un manque à le faire peut entraîner un choc électrique ou la mort.
- Si l'appareil n'est pas utilisé pendant une longue période, il est préférable de débrancher l'appareil de la prise.
- Après avoir débranché l'appareil, attendez au moins 10 minutes avant de le rebrancher. Un manque à le faire pourrait endommager le compresseur.
- Si le courant est coupé, attendez au moins 5 minutes avant de mettre l'appareil en marche pour éviter d'endommager le compresseur.
- Ne tentez pas de réparer ou remplacer une pièce quelconque de votre réfrigérateur, à moins que cela ne soit spécifiquement recommandé dans ce manuel. Un technicien qualifié doit effectuer tous les autres services ou réparations.

### AVERTISSEMENT

- Deux personnes ou davantage sont nécessaires pour déplacer et installer le réfrigérateur. Ne pas respecter cette consigne peut entraîner des blessures au dos ou autres blessures.
- Ce réfrigérateur doit être installé et situé correctement, conformément aux instructions d'installation, avant d'être utilisé.
- Ne touchez pas les surfaces froides du compartiment du réfrigérateur si vos mains sont humides ou mouillées. Il se peut que la peau colle à ces surfaces extrêmement froides.
- Le réglage des contrôles de température en position ZÉRO (0) n'élimine pas l'alimentation au circuit d'éclairage, aux dispositifs de chauffage périphériques ou aux ventilateurs de l'évaporateur.
- Pour assurer une bonne ventilation de votre réfrigérateur, choisissez un emplacement bien aéré dont les températures sont comprises entre 10 °C (50 °F) et 38 °C (100 °F). Cet appareil DOIT être installé dans un emplacement protégé des éléments tels que le vent, la pluie, l'eau, les jets ou les égouttements d'eau.
- Le réfrigérateur ne doit pas être situé à côté de fours, de grils ou autres sources de chaleur élevée.
- Il est important que le réfrigérateur soit bien mis de niveau pour fonctionner correctement. Il se peut que vous ayez à effectuer plusieurs réglages pour le mettre de niveau.
- Retirez le matériau d'emballage et nettoyez le réfrigérateur avant l'utilisation.
- N'utilisez pas cet appareil à des fins autres que celles pour lesquelles il est conçu.

## MESURES DE PROTECTION IMPORTANTES (suite)

### Raccordement électrique

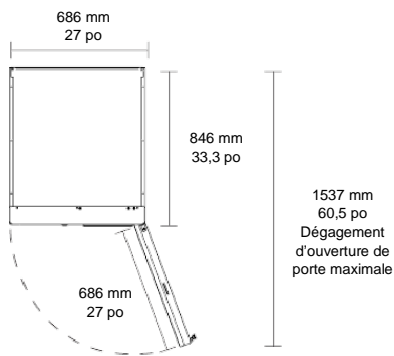
Ne coupez ou retirez en aucun cas la troisième broche (de mise à la terre) du cordon d'alimentation électrique. Pour votre sécurité personnelle, cet appareil doit être correctement mis à la terre. Le cordon d'alimentation de cet appareil est doté d'une fiche de mise à la terre à 3 broches qui se branche sur une prise murale de mise à la terre à 3 broches standard pour réduire le risque de choc électrique dû à l'appareil. Faites appel à un électricien qualifié pour inspecter la prise et le circuit muraux, pour vous assurer que la prise est correctement mise à la terre. Le réfrigérateur doit toujours être branché dans sa propre prise électrique individuelle dont la tension nominale correspond à celle spécifiée sur l'étiquette de l'appareil. Ceci assure le meilleur rendement possible et empêche également de surcharger les circuits de câblage résidentiel, ce qui pourrait poser un risque d'incendie du fait de fils surchauffés. Réparez ou remplacez immédiatement tous les cordons d'alimentation qui sont effilochés ou autrement endommagés. N'utilisez pas un cordon qui présente des fissures ou abrasions sur sa longueur ou à l'une de ses extrémités. Lorsque vous déplacez le réfrigérateur, veillez à ne pas endommager le cordon d'alimentation.

### Mise au rebut du réfrigérant

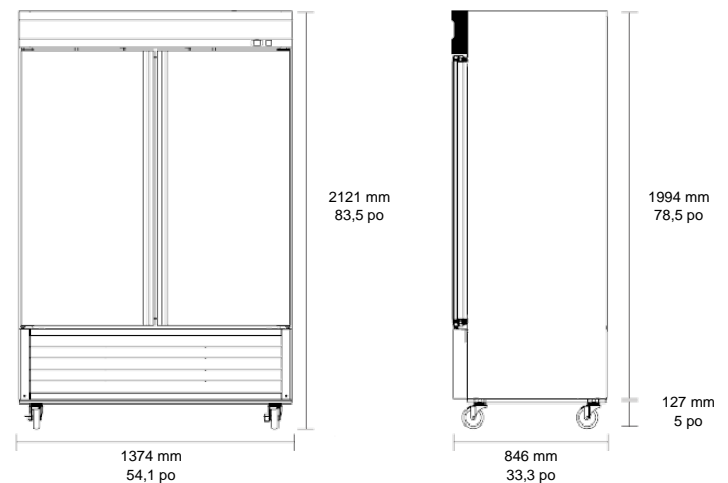
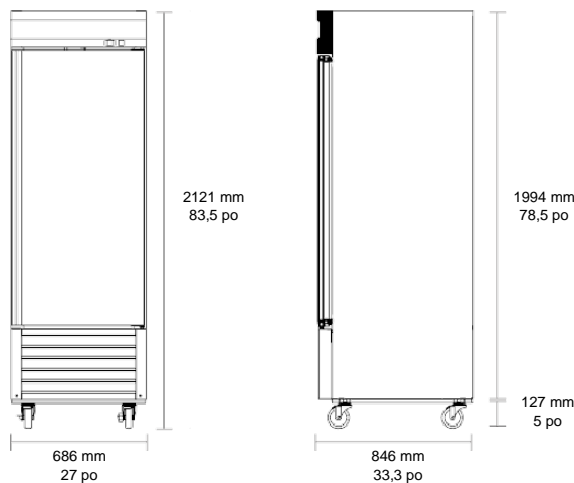
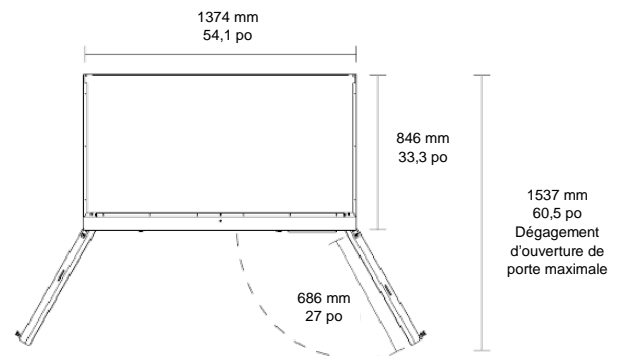
Si vous mettez votre ancien réfrigérateur au rebut, il se peut qu'il soit doté d'un système de refroidissement qui utilise des produits chimiques « destructeurs d'ozone ». Assurez-vous que le réfrigérant soit retiré par un technicien de service qualifié pour permettre une mise au rebut appropriée.

# DIMENSIONS

## MXSR-23FD/GD



## MXSR-49FD/GD



La hauteur totale de l'appareil peut être réduite de plus de 5 cm (2 po) avec un ensemble de 4 roulettes usage intensif plus courtes (dont 2 dotées de freins).

## RENSEIGNEMENTS TECHNIQUES

Modèle	MXSR-23FD	MXSR-23GD	MXSR-49FD	MXSR-49GD
Pouces : Dimensions totales l*P*H	27 x 33,3 x 83,5	27 x 33,3 x 83,5	54,1 x 33,3 x 83,5	54,1 x 33,3 x 83,5
mm : Dimensions totales l*P*H	686 x 846 x 2121	686 x 846 x 2121	1374 x 846 x 2121	1374 x 846 x 2121
Capacité nominale	547 L/19,3 pi³	547 L/19,3 pi³	1215 L/42,9 pi³	1215 L/42,9 pi³
Poids de l'appareil	127 kg/280 liv.	127 kg/280 liv.	213 kg/470 liv.	213 kg/470 liv.
Portes à charnières	1	1	2	2
Tablettes	3	3	6	6
Service électrique	110 V/60 Hz/1 Ph	110 V/60 Hz/1 Ph	110 V/60 Hz/1 Ph	110 V/60 Hz/1 Ph
Puissance	320 W	320 W	520 W	520 W
Courant tiré moyen	1	1,2	1,3	1,6
Réfrigérant	R-134A	R-134A	R-134A	R-134A
Cordon NEMA de 1,83 m (6 pi) fourni	5-15	5-15	5-15	5-15
Réglage de la température en usine	4 °C (39 °F)	4 °C (39 °F)	4 °C (39 °F)	4 °C (39 °F)

## RÉCEPTION ET INSPECTION DE L'ÉQUIPEMENT

Bien que la plupart de l'équipement soit expédié dans des caisses, il faut faire preuve de prudence lors du déchargement pour éviter qu'il soit endommagé pendant son transport à l'intérieur du bâtiment.

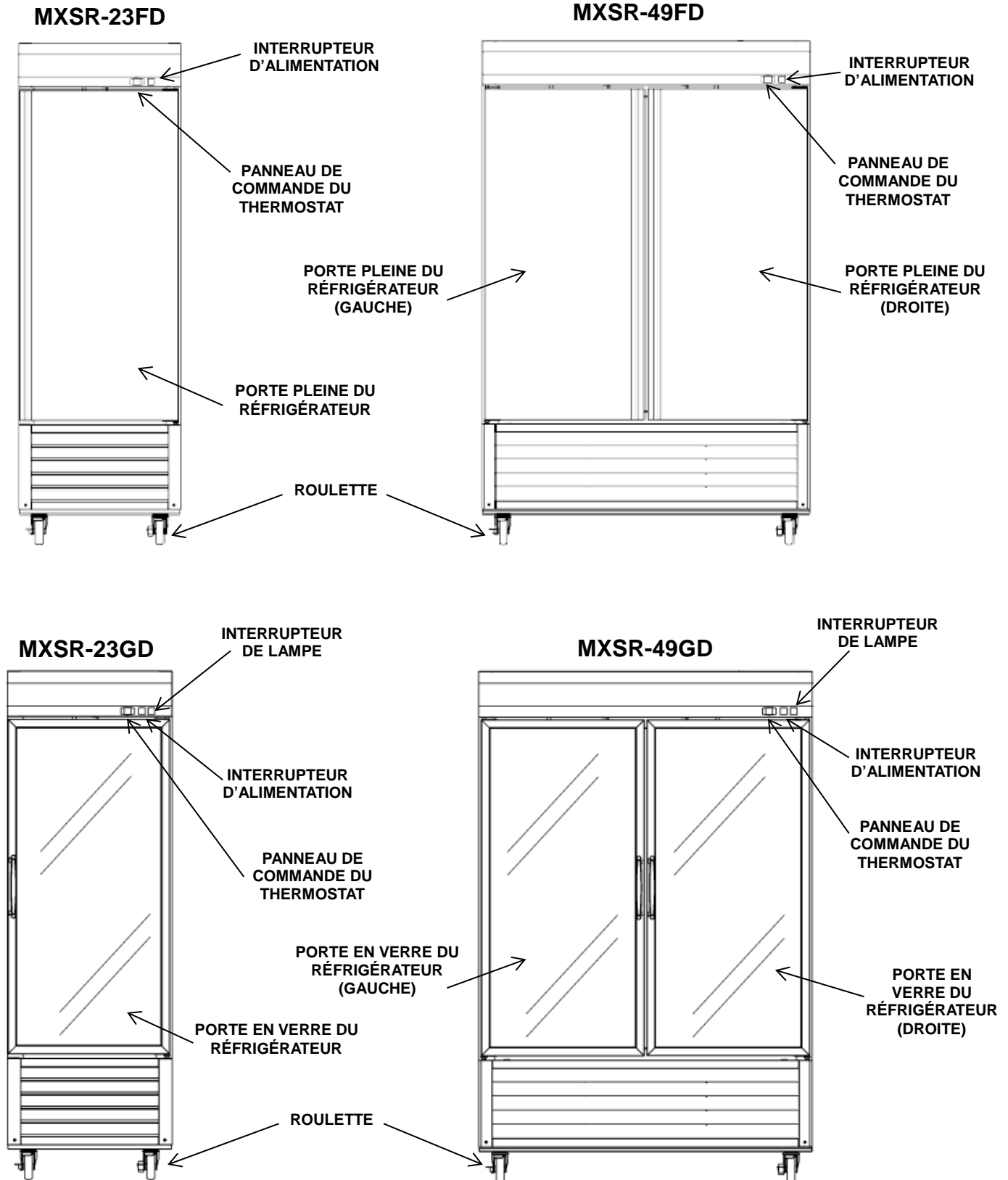
1. Inspectez visuellement l'extérieur de l'emballage et le châssis mobile ou le conteneur. Tout dommage doit être noté et signalé immédiatement au transporteur responsable de la livraison.
2. En cas de dommage, ouvrez et inspectez le contenu en présence du transporteur.
3. Si l'extérieur n'est pas endommagé mais que vous remarquez des endommagements cachés de l'équipement, signalez-les au transporteur. Vous devez le faire verbalement ainsi que par écrit.
4. Demandez une inspection de la part de la société de transport chargée de l'équipement endommagé. Cette inspection doit se produire dans les 10 jours suivant la réception de l'équipement.
5. Assurez-vous de vérifier le boîtier du compartiment de compresseur et d'inspecter visuellement l'emballage de réfrigération. Assurez-vous que les conduites sont fixées solidement et que la base est toujours intacte.
6. Les transporteurs de fret peuvent fournir les formulaires de réclamation nécessaires en cas de dommage, sur demande.
7. Conservez tout le matériau d'emballage jusqu'à ce qu'une inspection ait été réalisée ou que le transporteur y ait renoncé.

## INTRODUCTION

Ce manuel de l'utilisateur est conçu pour l'installation, l'utilisation et l'entretien de votre réfrigérateur armoire Maxx Cold de la série Select. Il est recommandé de conserver ce manuel dans un emplacement facile d'accès. Chaque appareil Maxx Cold est conçu et fabriqué conformément aux normes de sécurité et de rendement les plus rigoureuses. Il respecte ou dépasse la norme de sécurité UL 471 et la norme sanitaire NSF 7.

The Legacy Companies n'assume aucune responsabilité pour les produits fabriqués par Maxx Cold ayant été modifiés d'une manière quelconque, y compris l'utilisation de toutes pièces ou autres composants non spécifiquement approuvés par The Legacy Companies. Maxx Cold se réserve le droit d'apporter des modifications ou améliorations à tout moment. Les caractéristiques et conceptions sont susceptibles d'être modifiées sans préavis.

# RENSEIGNEMENTS SUR LES COMPOSANTS



# INSTALLATION DU RÉFRIGÉRATEUR

## AVERTISSEMENT

### Danger posé par un poids excessif

Deux personnes ou davantage sont nécessaires pour déplacer et installer les réfrigérateurs.  
Ne pas respecter cette consigne peut entraîner des blessures au dos ou autres blessures.

## Retirez le matériau d'emballage

### IMPORTANT :

**Ne retirez aucune étiquette d'instructions permanente, ni l'étiquette de spécifications situées sur votre réfrigérateur.**

- Retirez le ruban adhésif et la colle de votre réfrigérateur avant de l'utiliser.
- Pour retirer tout reste de ruban adhésif ou de colle, veuillez frotter rapidement la surface avec votre pouce. Le résidu de ruban adhésif ou de colle peut également être facilement retiré en frottant une petite quantité de liquide vaisselle sur l'adhésif avec les doigts. Essayez à l'eau chaude et séchez avec un linge doux.
- N'utilisez pas d'instruments pointus, d'alcool à 90°, de fluides inflammables ou de nettoyants abrasifs pour retirer les résidus de ruban adhésif ou de colle. Ces produits peuvent endommager la surface de votre réfrigérateur.

### AVIS :

*LA PERTE OU POURRITURE DES PRODUITS CONTENUS DANS VOTRE RÉFRIGÉRATEUR N'EST PAS COUVERTE PAR LA GARANTIE. EN PLUS DES MÉTHODES D'INSTALLATION SUIVANTES RECOMMANDÉES, VEUILLEZ METTRE LE RÉFRIGÉRATEUR EN MARCHÉ 24 HEURES AVANT DE L'UTILISER.*

## Exigences en matière d'emplacement

- Les réfrigérateurs illustrés dans ce manuel sont conçus pour un usage à l'intérieur seulement.
- Assurez-vous que l'emplacement choisi a un plancher suffisamment solide pour supporter le poids total de l'armoire et de son contenu, puisqu'un appareil entièrement rempli peut peser jusqu'à 680 kg (1500 liv.).
- Renforcez le plancher au besoin, pour permettre un chargement maximal.
- Pour la réfrigération la plus efficace, veillez à fournir une bonne circulation d'air à l'intérieur tant qu'à l'extérieur.

### Armoire intérieure :

Ne remplissez pas les appareils au point d'empêcher l'air de circuler. L'air réfrigéré est évacué en haut à l'arrière de l'appareil. Il est important de permettre un bon débit d'air entre le haut à l'arrière et le bas de l'appareil. Toute obstruction à ce débit d'air peut causer une prise en glace du serpentin d'évaporateur et la perte de température ou le débordement de l'eau du plateau de dégivrage de l'évaporateur. Les tablettes sont dotées d'un revers arrière qui permet d'éviter ces problèmes. Cependant, les sacs et autres articles peuvent toujours être placés au fin fond de l'armoire. L'air est amené dans le serpentin d'évaporateur par les ventilateurs installés à l'avant du serpentin.

### Armoire extérieure :

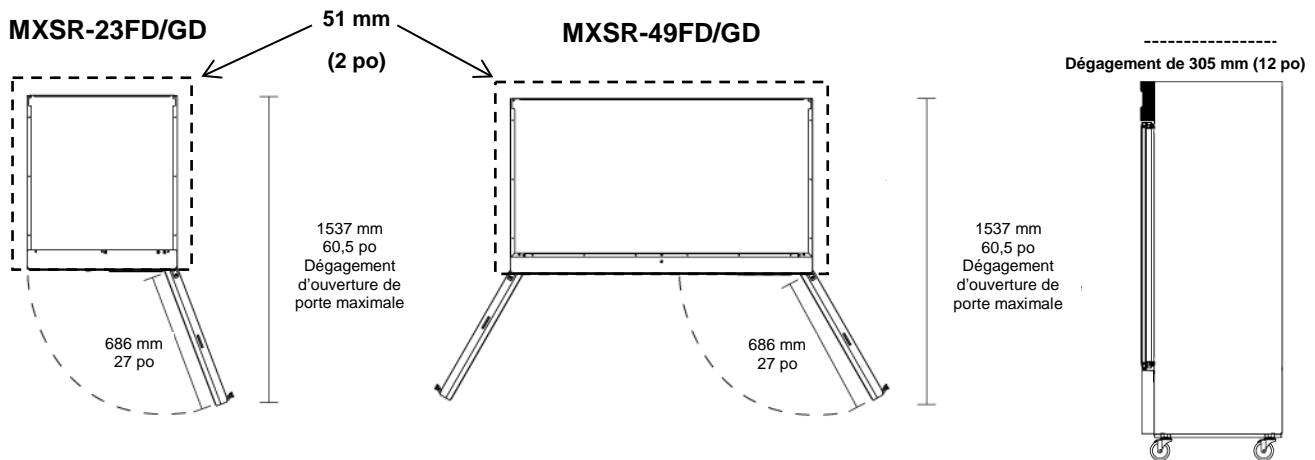
Assurez-vous que l'appareil dispose d'une grande quantité d'air. Évitez les coins chauds et emplacements à proximité des cuisinières et des fours.

Il est recommandé que l'appareil soit installé à 51 mm (2 po) minimum de tout mur, avec un dégagement d'ouverture de porte maximum de 1537 mm (60,5 po) et un dégagement d'au moins 305 mm (12 po) au-dessus de l'appareil.



# INSTALLATION DU RÉFRIGÉRATEUR (suite)

## Dégagement pour l'installation



## Mise à niveau

Assurez-vous que le plancher sur lequel l'appareil sera placé est de niveau.

## Stabilisation

Tous les modèles sont fournis avec des roulettes pour votre commodité. Cependant, il est très important que l'armoire soit installée dans des conditions stables, avec les roulettes avant verrouillées pendant l'utilisation. S'il s'avère nécessaire de poser l'appareil sur le côté ou le dos pour une raison quelconque, attendez au moins 24 heures avant le démarrage pour permettre à l'huile du compresseur de retourner en place. Un manque à suivre cette consigne peut entraîner la défaillance du compresseur et endommager l'appareil.

## AVIS :

***Les réparations de l'appareil ne seront pas couvertes par les garanties standards si elles résultent de mauvaises méthodes d'installation.***

## Raccordement électrique

Reportez-vous aux données relatives à l'intensité du tableau de Renseignements techniques, l'étiquette du numéro de série, votre code local ou le code national de l'électricité, pour vous assurer que l'appareil est branché sur la source d'alimentation électrique correcte.



### **DANGER**

**L'appareil doit être ÉTEINT et débranché de la source d'alimentation électrique lors de tout service, fonctions d'entretien ou le nettoyage de l'espace réfrigéré. Un manque à se conformer peut entraîner la mort ou des blessures corporelles graves.**

# UTILISATION (pour les appareils fabriqués avant le mois de juillet 2018)

## Cycle réfrigéré

Réfrigérateurs : Pendant le cycle de réfrigération, les ventilateurs de l'évaporateur fonctionneront en permanence, même si au moins une porte est ouverte. Le contacteur de porte activera les lampes en cas d'ouverture sur les modèles de portes pleines uniquement. Les lampes des modèles de portes en verre sont allumées manuellement à l'aide d'un interrupteur situé à côté de l'interrupteur d'alimentation principal.

1. L'appareil s'éteindra toutes les six heures pour permettre au serpentin d'évaporateur de dégivrer à l'air. Le contrôleur affiche maintenant le symbole de dégivrage. Une fois que la température du serpentin atteint 12 °C (53 °F) ou au bout de 30 minutes de dégivrage, l'appareil se mettra à nouveau en marche.
2. Les radiateurs anticondensation des cadres de porte fonctionnent de concert avec le compresseur.
3. Plage de température de maintien recommandée : 1 à 5 °C (34 à 40 °F).
4. Réglée en usine à 4 °C (39 °F).

## Interrupteur d'alimentation :

L'interrupteur d'alimentation est situé à l'avant du panneau inférieur. Lorsque l'appareil est en marche, l'interrupteur brillera d'une couleur verte.

## DESCRIPTIONS DU THERMOSTAT À SEMI-CONDUCTEUR (pour les appareils fabriqués avant le mois de juillet 2018)

### 1. 1. COMMANDES DU PANNEAU AVANT



#### Appuyez et relâchez

- Fait défiler tous les éléments du menu
- Augmente les valeurs

#### Appuyez pendant au moins 5 secondes

- Active la fonction de dégivrage manuel



#### Appuyez et relâchez

- Retourne au niveau du menu précédent
- Confirme la valeur des paramètres

#### Appuyez pendant au moins 5 secondes

- Active la fonction Attente (ARRÊT) (en dehors des menus)



#### Appuyez et relâchez

- Fait défiler tous les éléments du menu
- Diminue les valeurs

#### Appuyez pendant au moins 5 secondes

- Fonction configurable par l'utilisateur

#### SET (RÉGLER)

#### Appuyez et relâchez

- Affiche les alertes (si elles sont actives)
- Ouvre le menu de statut de l'appareil
- Confirme les commandes

#### Appuyez pendant au moins 5 secondes

- Ouvre le menu de programmation

### 1.1 Fonction des ampoules DEL

DEL	MODE	SIGNIFICATION
	Allumées	Compresseur activé
	Clignotant	un retard, une protection ou un démarrage verrouillé
	Allumées	Dégivrage en cours
	Clignotant	activation d'entrée manuelle ou numérique (E.N.)
	Allumées	Sortie des ventilateurs activée
	Allumées	alerte active
	Clignotant	alerte reconnue

# UTILISATION (pour les appareils fabriqués avant le mois de juillet 2018) (suite)



## 2. FONCTIONS PRINCIPALES

SET (RÉGLER) 


### 2.1 COMMENT VOIR LA VALEUR DE CONSIGNE

- Appuyez sur et relâchez immédiatement la touche **SET (RÉGLER)** : L'étiquette « SET (RÉGLER) » apparaît;
- Pour afficher la valeur de consigne, appuyez sur la touche **SET (RÉGLER)**;
- Attendez au moins 15 secondes pour retourner à une visualisation normale.

### 2.2 COMMENT CHANGER LA VALEUR DE CONSIGNE

- Appuyez sur et relâchez immédiatement la touche **SET (RÉGLER)** : L'étiquette « SET (RÉGLER) » apparaît;
- Pour afficher la valeur de consigne, appuyez sur la touche **SET (RÉGLER)**;
- Pour changer la valeur de consigne, appuyez sur les flèches  ou .
- Appuyez sur la touche **SET (RÉGLER)** pour confirmer la modification.

### 2.3. COMMENT DÉMARRER UN DÉGIVRAGE MANUEL

Appuyez sur la touche  pendant plus de 5 secondes et un dégivrage manuel démarrera. Si les conditions de dégivrage :

- paramètre OdO  $\neq 0$
- la température de sonde Pb2 est supérieure à la température finale de dégivrage

ne sont pas satisfaites, l'affichage clignotera 3 fois pour indiquer que le dégivrage n'aura pas lieu.

### 2.4 POUR VERROUILLER LE CLAVIER

Il est possible de désactiver le clavier de ce dispositif. Le clavier peut être verrouillé en programmant le paramètre « LOC (VERROU) ». Une fois que le clavier est verrouillé, vous pouvez toujours avoir accès au menu du « Machine Status (Statut de l'appareil) » en appuyant sur la touche **SET (RÉGLER)** pour afficher la valeur de consigne mais vous ne pouvez pas le modifier.

### 2.5 POUR DÉVERROUILLER LE CLAVIER

Pour désactiver le verrou du clavier, répétez la procédure de verrouillage.

## 3. SIGNAL D'ALERTE

Les alertes sont toujours indiquée par le signal sonore (s'il existe) et l'icône

d'alerte .

Pour éteindre le signal sonore, appuyez sur et relâchez n'importe quelle touche; l'icône correspondante continuera à clignoter.

Étiquette	Cause	Effets
E1	<ul style="list-style-type: none"><li>les valeurs mesurées sortent de la plage de fonctionnement</li><li>Sonde défectueuse/en court-circuit/ouverte</li></ul>	<ul style="list-style-type: none"><li>Affiche l'étiquette <b>E1</b></li><li>L'icône d'alerte est toujours allumée</li><li>Désactive la commande d'alerte max./min.</li><li>Fonctionnement du compresseur basé sur les paramètres <b>Ont</b> (Marche) et <b>Oft</b> (Arrêt)</li></ul>
E2	<ul style="list-style-type: none"><li>les valeurs mesurées sortent de la plage de fonctionnement</li><li>Sonde défectueuse/en court-circuit/ouverte</li></ul>	<ul style="list-style-type: none"><li>Affiche l'étiquette <b>E2</b></li><li>L'icône d'alerte est toujours allumée</li><li>Le cycle de dégivrage se terminera en raison du délai d'inactivité (<b>dEt</b>)</li><li>Les ventilateurs de l'évaporateur fonctionneront en mode de Cycle de service</li></ul>
AH1	valeur lue par <b>Pb1&gt;HAL</b> après heure de <b>tAO</b> . (voir les « ALERTES DE TEMPÉRATURE MAX./MIN. »)	<ul style="list-style-type: none"><li>Enregistrement de l'étiquette <b>AH1</b> dans le fichier AL</li><li>Aucun effet sur la régulation</li></ul>
AL1	valeur lue par <b>Pb1&gt;LAL</b> après heure de <b>tAO</b> . (voir les « ALERTES DE TEMPÉRATURE MAX./MIN. »)	<ul style="list-style-type: none"><li>Enregistrement de l'étiquette <b>AL1</b> dans le fichier AL</li><li>Aucun effet sur la régulation</li></ul>
EA	activation d'entrée numérique ( <b>H11 = ±5</b> )	<ul style="list-style-type: none"><li>Enregistrement de l'étiquette <b>EA</b> dans le fichier AL</li><li>L'icône d'alerte est toujours allumée</li><li>Régulation verrouillée si <b>EAL = y</b></li></ul>
OPd	activation d'entrée numérique ( <b>H11 = ±4</b> ) (pour plus long que <b>tdO</b> )	<ul style="list-style-type: none"><li>Enregistrement de l'étiquette <b>OPd</b> dans le fichier AL</li><li>L'icône d'alerte est toujours allumée</li><li>Contrôleur verrouillé</li></ul>
Ad2	fin du cycle de dégivrage en raison du délai d'inactivité, plutôt qu'en raison de l'enregistrement de la température de fin de dégivrage par la sonde Pb2.	<ul style="list-style-type: none"><li>Enregistrement de l'étiquette <b>Ad2</b> dans le fichier AL</li><li>L'icône d'alerte est toujours allumée</li></ul>

# UTILISATION (pour les appareils fabriqués après le mois de juillet 2018)

## Cycle réfrigéré

**Réfrigérateurs :** Pendant le cycle de réfrigération, les ventilateurs de l'évaporateur fonctionneront en permanence, même si au moins une porte est ouverte. Le contacteur de porte activera les lampes en cas d'ouverture sur les modèles de portes pleines uniquement. Les lampes des modèles de portes en verre sont allumées manuellement à l'aide d'un interrupteur situé à côté de l'interrupteur d'alimentation principal.

1. L'appareil s'éteindra toutes les six heures pour permettre au serpentin d'évaporateur de dégivrer à l'air. Le contrôleur affiche maintenant le symbole de dégivrage. Une fois que la température du serpentin atteint 12 °C (53 °F) ou au bout de 30 minutes de dégivrage, l'appareil se mettra à nouveau en marche.
2. Les radiateurs anticondensation des cadres de porte fonctionnent de concert avec le compresseur.
3. Plage de température de maintien recommandée : 1 à 5 °C (34 à 40 °F).
4. Réglée en usine à 4 °C (39 °F).

## Interrupteur d'alimentation :

L'interrupteur d'alimentation est situé à l'avant du panneau inférieur. Lorsque l'appareil est en marche, l'interrupteur brillera d'une couleur verte.

## DESCRIPTION DU THERMOSTAT À SEMI-CONDUCTEUR (pour les appareils fabriqués après le mois de juillet 2018)

### 1. COMMANDES DU PANNEAU AVANT.



**SET** Pour afficher le point de consigne cible; en mode programmation, cette touche choisit un paramètre ou confirme une utilisation.



Pour démarrer un dégivrage manuel.



En mode programmation, cette touche navigue les codes de paramètres ou augmente la valeur affichée.



En mode programmation, cette touche navigue les codes de paramètres ou diminue la valeur affichée.

### COMBINAISON DES TOUCHES



Pour verrouiller ou déverrouiller le clavier.



Pour entrer en mode programmation.



Pour retourner à l'affichage de température ambiante.

### 1.1 Fonction des ampoules DEL

DEL	MODE	SIGNIFICATION
	Allumées	Compresseur activé
	Clignotant	Délai anti cycle court activé (paramètres c.a.)
	Allumées	Dégivrage en cours
	Clignotant	Exsudation en cours
	Allumées	Sortie des ventilateurs activée
	Clignotant	Délai des ventilateurs après le dégivrage
	Allumées	Unité de mesure
	Clignotant	Mode programmation
	Allumées	Unité de mesure
	Clignotant	Mode programmation

# UTILISATION (pour les appareils fabriqués après le mois de juillet 2018) (suite)

## 2. FONCTIONS PRINCIPALES

### 2.1 COMMENT VOIR LA VALEUR DE CONSIGNE

1. Appuyez sur et relâchez immédiatement la touche **SET (RÉGLER)**, le point de consigne sera affiché
2. Appuyez sur et relâchez immédiatement la touche **SET (RÉGLER)** ou attendez environ 5 secondes pour retourner à une visualisation normale.



### 2.2 COMMENT CHANGER LA VALEUR DE CONSIGNE

1. Appuyez sur la touche SET (RÉGLER) pendant plus de 2 secondes pour changer la valeur du point de consigne;
2. La valeur du point de consigne sera affichée et le voyant lumineux « °C » ou « °F » à DEL commencera à clignoter;
3. Pour changer la valeur de consigne, appuyez sur les flèches ▲ ou ▼.

Pour mettre en mémoire la valeur du point de consigne, appuyez à nouveau sur la touche SET (RÉGLER) ou attendez 10 secondes.

### 2.3 COMMENT DÉMARRER UN DÉGIVRAGE MANUEL

Appuyez sur la touche **DEF (DÉG.)** ❄️ por más de 2 segundos y comenzará una descongelación manual.



### 2.4 POUR VERROUILLER LE CLAVIER

1. Continuez d'appuyer sur les touches ▲ et ▼ pendant plus de 3 secondes.
2. Le message « **OF** » (ARRÊT) sera affiché et le clavier sera verrouillé. Si vous appuyez sur une touche pendant plus de 3 secondes, le message « **OF** » (ARRÊT) sera affiché.



### 2.5 POUR DÉVERROUILLER LE CLAVIER

Continuez d'appuyer sur les touches ▲ et ▼ pendant plus de 3 secondes, jusqu'à ce que le message « **on** » (marche) soit affiché.

## 3. SIGNAL D'ALERTE

Mess.	Cause	Sorties
"P1"	Défaillance de la sonde de la pièce	Sortie du compresseur conformément à « Cy » e « Cn »
"P2"	Défaillance de la sonde de l'évaporateur	La fin du dégivrage est minutée
"HA"	Alerte de température maximum	Sorties non modifiées
"LA"	Alerte de température minimum	Sorties non modifiées
"EA"	Alerte extérieure	Sorties non modifiées
"CA"	Alerte extérieure sérieuse	Toutes les sorties sont ARRÊTÉES
"dA"	La porte est ouverte	Le compresseur et les ventilateurs se remettent en marche

### 3.1. RÉTABLISSEMENT D'ALERTE

Les alertes de sondes « **P1** » et « **P2** » démarrent quelques secondes après la défaillance de la sonde concernée; elles s'arrêtent automatiquement quelques secondes après que la sonde recommence à fonctionner normalement. Vérifiez les connexions avant de remplacer la sonde. Les alertes de température « **HA** » et « **LA** » s'arrêtent automatiquement dès que les températures retournent aux valeurs normales. Les alertes « **EA** » et « **CA** » (avec iF=bL) sont rétablies dès que l'entrée numérique est désactivée.

## NETTOYAGE ET ENTRETIEN



### DANGER

**L'appareil doit être éteint et débranché de la source d'alimentation électrique lors de tout service, fonctions d'entretien ou le nettoyage de l'espace réfrigéré. Un manque à se conformer à cette consigne peut entraîner la mort ou des blessures corporelles graves.**

### Nettoyage de l'extérieur et l'intérieur des réfrigérateurs

Nettoyez en utilisant du savon et de l'eau chaude. Si cela ne suffit pas, essayez l'ammoniac et l'eau ou un nettoyant liquide non abrasif. Lorsque vous nettoyez l'extérieur, frottez toujours en suivant le « grain » de l'acier inoxydable pour éviter de marquer le fini.

- N'utilisez pas de nettoyant abrasif puisqu'il éraflera l'acier inoxydable et le plastique et pourrait endommager les entretoises isolantes et joints d'étanchéité.

### Nettoyage du serpentin de condenseur

Un nettoyage régulier est recommandé tous les 90 jours. Dans certains cas, il se peut que vous découvriez une grande accumulation de débris et de poussière ou graisse avant le délai de 90 jours. Dans ces cas, le serpentin du condenseur doit être nettoyé tous les 30 jours.

Si l'accumulation sur le serpentin ne consiste qu'en une légère poussière et quelques débris, le serpentin du condenseur peut être nettoyé avec une simple brosse. Une accumulation plus importante de poussière peut nécessiter un passage d'aspirateur ou même de l'air comprimé à souffler dans le serpentin du condenseur.

En cas de présence d'une graisse épaisse, certains agents de dégraissage sont proposés pour les réfrigérateurs et en particulier pour les serpentins du condenseur. Le serpentin du condenseur peut nécessiter un nettoyage avec l'agent de dégraissage, puis l'air comprimé.

Un manque à assurer la propreté du serpentin du condenseur peut causer des températures élevées et des durées de fonctionnement excessives au départ. Un fonctionnement continu avec des serpentins de condenseur sales ou bouchés peut entraîner la défaillance du compresseur. Négliger les procédures de nettoyage du serpentin de condenseur annulera toutes les garanties associées au compresseur ou les coûts de remplacement du compresseur.

- Pour un fonctionnement efficace, gardez la surface du condenseur exempte de poussière, débris et peluches.
- Nous recommandons un nettoyage du serpentin de condenseur au moins une fois par mois.
- Nettoyez le condenseur avec un nettoyant pour serpentin de condenseur commercial et une brosse à soies douces, proposés auprès de tous les détaillants d'équipement de réfrigération commercial, en passant l'aspirateur sur le condenseur avec un aspirateur avale-tout ou en utilisant du CO<sub>2</sub>.



### ATTENTION

**N'utilisez jamais de nettoyeur à eau à haute pression pour assurer ce nettoyage, car l'eau peut endommager les composants électriques situés à proximité du serpentin de condenseur ou dessus le serpentin.**

En vue de maintenir un bon rendement de réfrigération, les ailettes du condenseur doivent être nettoyées régulièrement pour retirer la poussière, la saleté et la graisse. Il est recommandé de le faire au moins tous les trois mois. S'il s'avère que le condenseur est complètement bloqué au bout de trois mois, il faut augmenter la fréquence des nettoyages. Nettoyez le condenseur avec un aspirateur ou une brosse rigide. S'il est extrêmement sale, il se peut que vous ayez besoin d'un nettoyant pour condenseur de qualité commerciale.

## NETTOYAGE ET ENTRETIEN (suite)

### Entretien et nettoyage de l'acier inoxydable

Pour éviter la rouille ou la décoloration de l'acier inoxydable, il faut suivre plusieurs étapes importantes. Nous avons tout d'abord besoin de comprendre les caractéristiques de l'acier inoxydable. L'acier inoxydable contient 70 à 80 % de fer qui rouillera. Il contient également 12 à 30 % de chrome qui forme une pellicule passive invisible sur la surface de l'acier qui sert de bouclier contre la corrosion. Tant que la couche de protection est intacte, le métal reste inoxydable. Si la pellicule est cassée ou contaminée, les éléments extérieurs peuvent commencer à dégrader l'acier et à l'oxyder en rouille ou à le décolorer.



#### ATTENTION

**Un nettoyage correct de l'acier inoxydable nécessite des linges doux ou des tampons à récurer en plastique, n'utilisez jamais de tampons en acier, des brosses métalliques ou des racloirs!**

Les solutions de nettoyage ont besoin d'être à base d'alcalin ou sans chlorure. Tout nettoyeur qui contient des chlorures endommagera la pellicule protectrice de l'acier inoxydable. Si des nettoyeurs à teneur en chlorure sont utilisés, assurez-vous de rincer et de sécher complètement.

Un nettoyage régulier de l'acier inoxydable peut être effectué au savon et à l'eau. Les taches ou la graisse tenaces doivent être nettoyées avec un nettoyeur non abrasif et un tampon à récurer en plastique. Il est toujours recommandé de frotter en suivant le grain de l'acier. Il existe également des nettoyeurs pour acier inoxydable qui peuvent restaurer et préserver le fini de la couche protectrice de l'acier.

Des signes avant-coureurs d'une dégradation de l'acier inoxydable peuvent consister en de petites piqûres et fissures. Si c'est le cas, nettoyez complètement et commencez à appliquer des nettoyeurs pour acier inoxydable pour tenter de restaurer la passivité de l'acier.



#### ATTENTION

**N'utilisez jamais de solution de nettoyage à base d'acide! De nombreux produits alimentaires contiennent de l'acide, ce qui peut détériorer le fini. Assurez-vous de nettoyer les surfaces en acier inoxydable de tous les produits alimentaires.**

### Entretien des joints d'étanchéité

Les joints d'étanchéité ont besoin d'être nettoyés régulièrement pour éviter l'accumulation de moisissure, ainsi que pour préserver l'élasticité du joint d'étanchéité. Le joint d'étanchéité peut être nettoyé à l'eau chaude savonneuse. Évitez les produits de nettoyage ultrapuissants sur les joints d'étanchéité. N'utilisez pas d'outils ou couteaux tranchants pour racler ou nettoyer le joint d'étanchéité.

Les joints d'étanchéité peuvent être facilement remplacés et ne requièrent pas l'utilisation d'outils ou de techniciens de service autorisés. Les joints d'étanchéité sont de style « fléchette » et peuvent être tirés du sillon de la porte et remplacés en enfonçant le neuf en place.

### Portes/charnières

Si la porte commence à s'affaisser, serrez les vis qui fixent les supports de charnière sur le cadre de l'appareil. Si les portes sont desserrées ou affaissées, ceci peut forcer les charnières à sortir du cadre et endommager les portes et les charnières de portes.

### Entretien de l'écoulement

Chaque appareil est doté d'un écoulement situé à l'intérieur de l'appareil, qui élimine la condensation du serpent d'évaporateur et l'évapore dans un plateau de dégivrage d'évaporateur de condensation externe. L'écoulement peut se desserrer ou se déconnecter. Si vous remarquez une accumulation excessive d'eau à l'intérieur de l'appareil, assurez-vous que le tube d'écoulement est connecté du boîtier d'évaporateur au plateau de dégivrage de l'évaporateur de condensation. Si l'eau commence à s'accumuler sous l'appareil, vérifiez le tube d'écoulement de l'évaporateur de condensation pour vous assurer qu'il est toujours situé à l'intérieur du plateau de dégivrage.

Si votre plancher n'est pas de niveau, cela peut également poser des problèmes d'écoulement. Assurez-vous que tous les tuyaux d'écoulement sont exempts d'obstruction, puisque cela pourrait forcer l'eau à s'immobiliser et à déborder des plateaux de dégivrage.



# GUIDE DE DÉPANNAGE

## AVANT DE FAIRE UNE DEMANDE DE SERVICE

Si l'appareil semble mal fonctionner, lisez tout d'abord entièrement la section UTILISATION de ce manuel. Si le problème persiste, voir le Dépannage ci-dessous. Il se peut qu'il s'agisse d'un problème très simple pouvant être résolu sans appel de service.

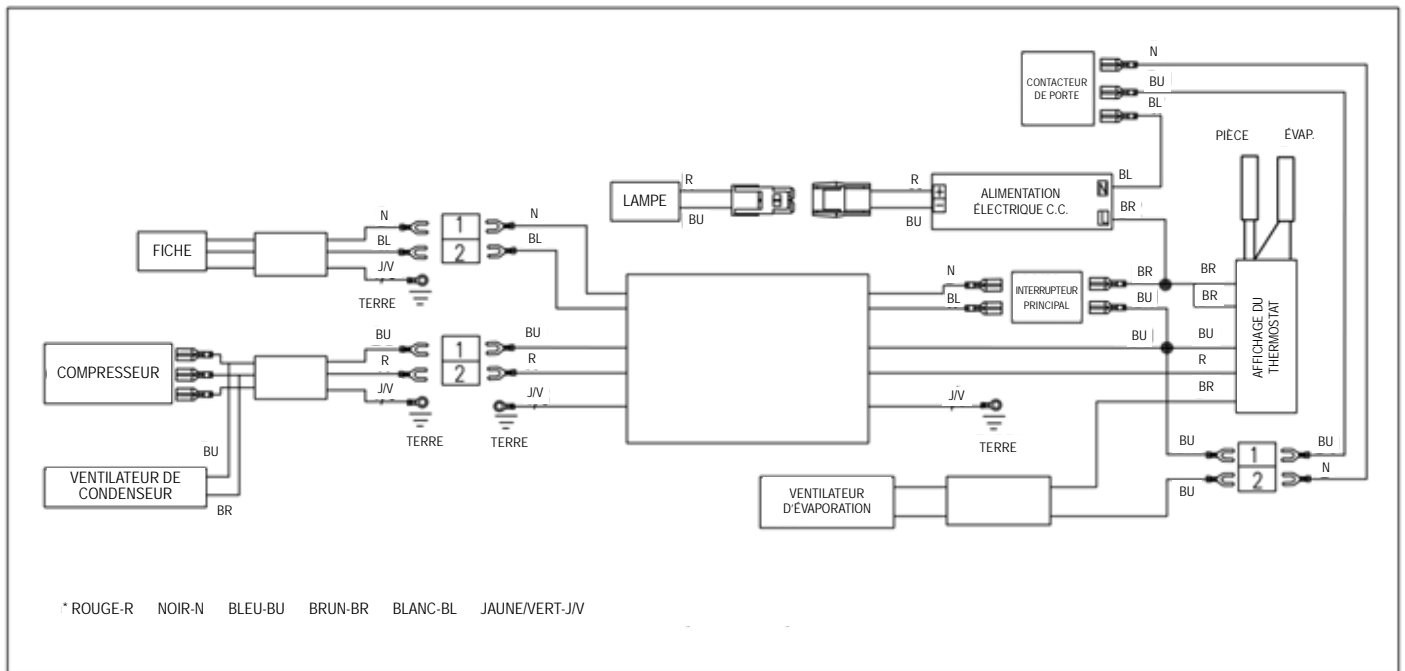
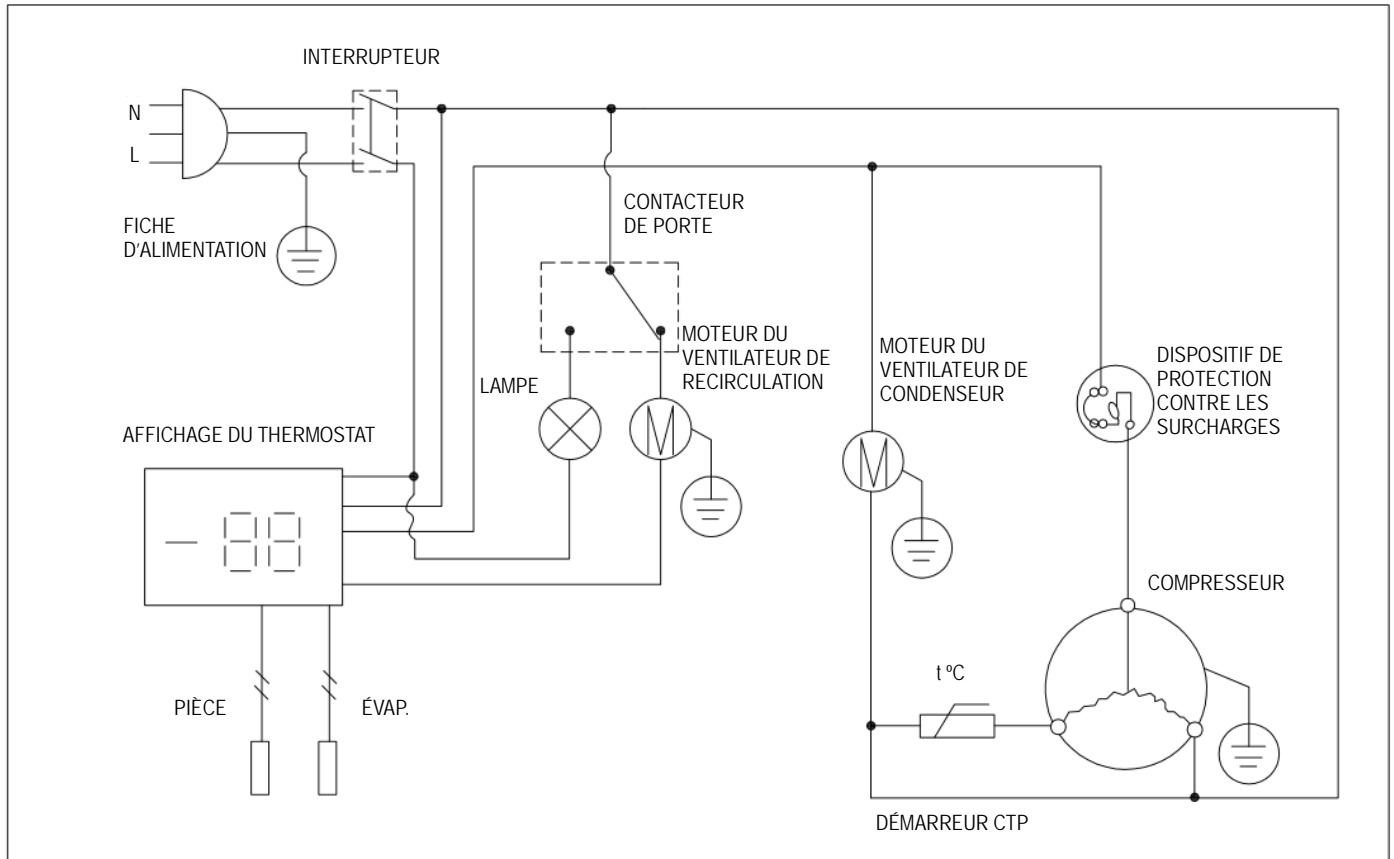
## DÉPANNAGE

Défaut	Cause probable	Mesure
Le compresseur ne fonctionne pas.	Le fusible est grillé ou le disjoncteur est déclenché.	Remplacez le fusible ou réinitialisez le disjoncteur. Si le remplacement d'un fusible ou la réinitialisation du disjoncteur ne corrigent pas le problème, veuillez faire appel à un technicien de service qualifié.
	Cordon d'alimentation débranché.	Branchez le cordon d'alimentation.
	Le thermostat est réglé trop haut.	Régalez le thermostat à une température plus basse.
La température de l'armoire est trop chaude.	Le thermostat est réglé trop haut.	Régalez le thermostat à une température plus basse.
	Le débit d'air est bloqué.	Réorganisez les produits pour permettre un bon débit d'air. Assurez-vous qu'il y a un dégagement d'au moins dix centimètres (quatre pouces) tout autour du ventilateur.
	Niveaux bas de réfrigérants.	Veuillez communiquer avec un technicien de service qualifié pour vérifier les niveaux de réfrigérants.
	La porte est légèrement ouverte.	Assurez-vous que la porte est complètement fermée.
La lampe intérieure ne fonctionne pas.	Mauvaise connexion de l'interrupteur.	Éteignez l'interrupteur et remettez-le en marche.
	L'ampoule n'est pas connectée.	Assurez-vous que l'ampoule est insérée correctement dans la douille.
	L'ampoule a grillé.	Remplacez l'ampoule. Si le remplacement de l'ampoule ne corrige pas le problème, veuillez faire appel à un technicien de service qualifié.
La condensation s'accumule sur l'armoire et/ou le plancher.	Le joint d'étanchéité n'est pas suffisamment étanche.	Nettoyez, réparez ou remplacez le joint d'étanchéité au besoin.



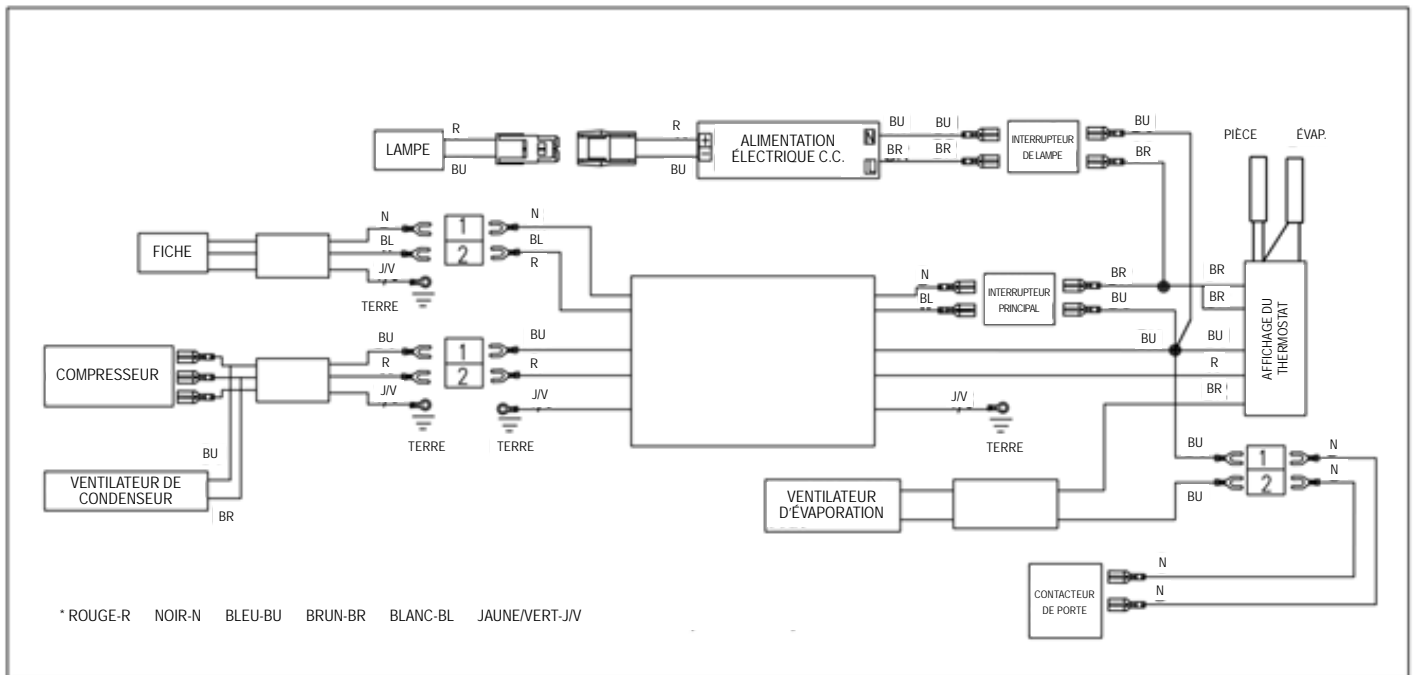
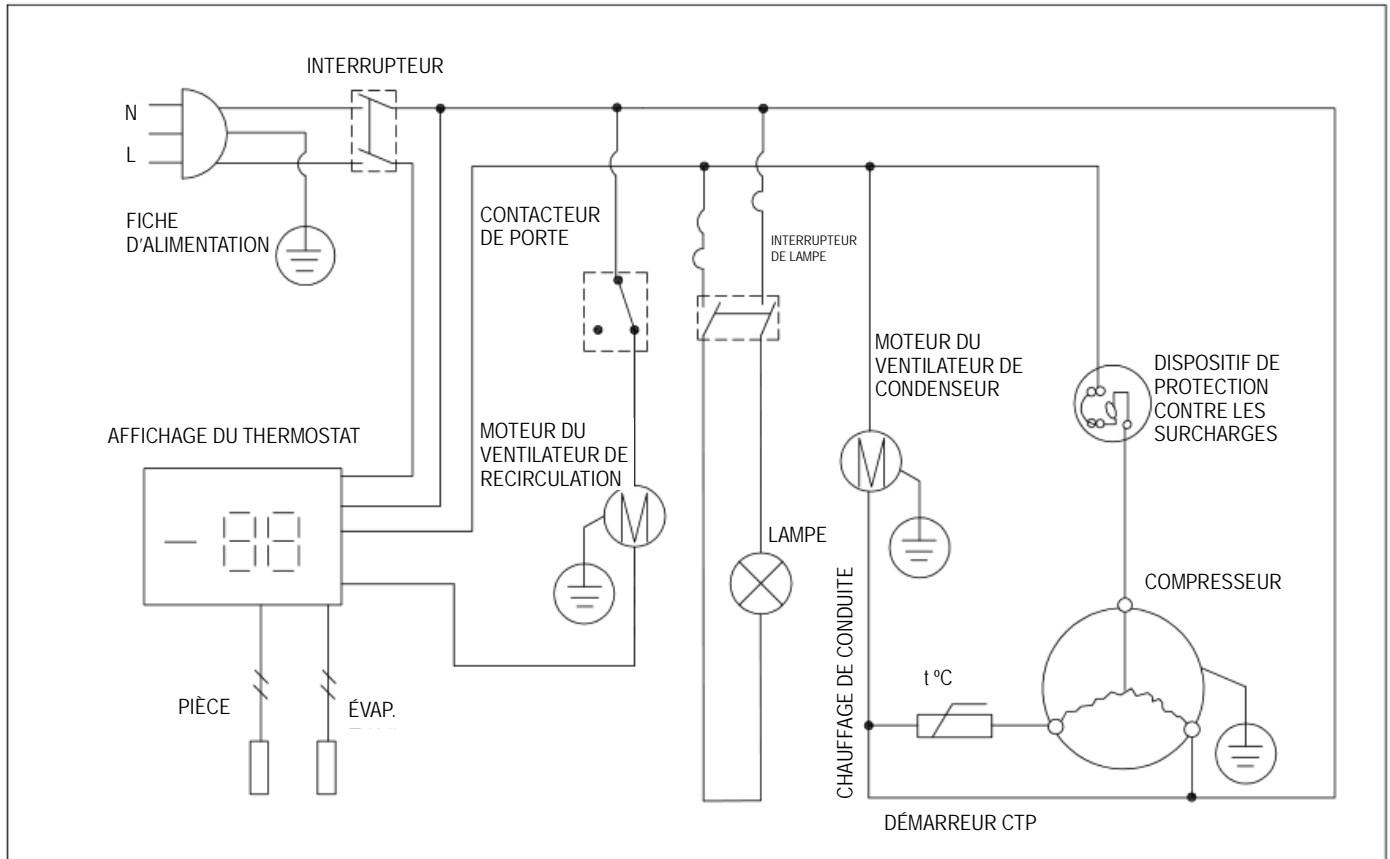
# DIAGRAMMES DE CÂBLAGE

## MODÈLE : MXSR-23FD



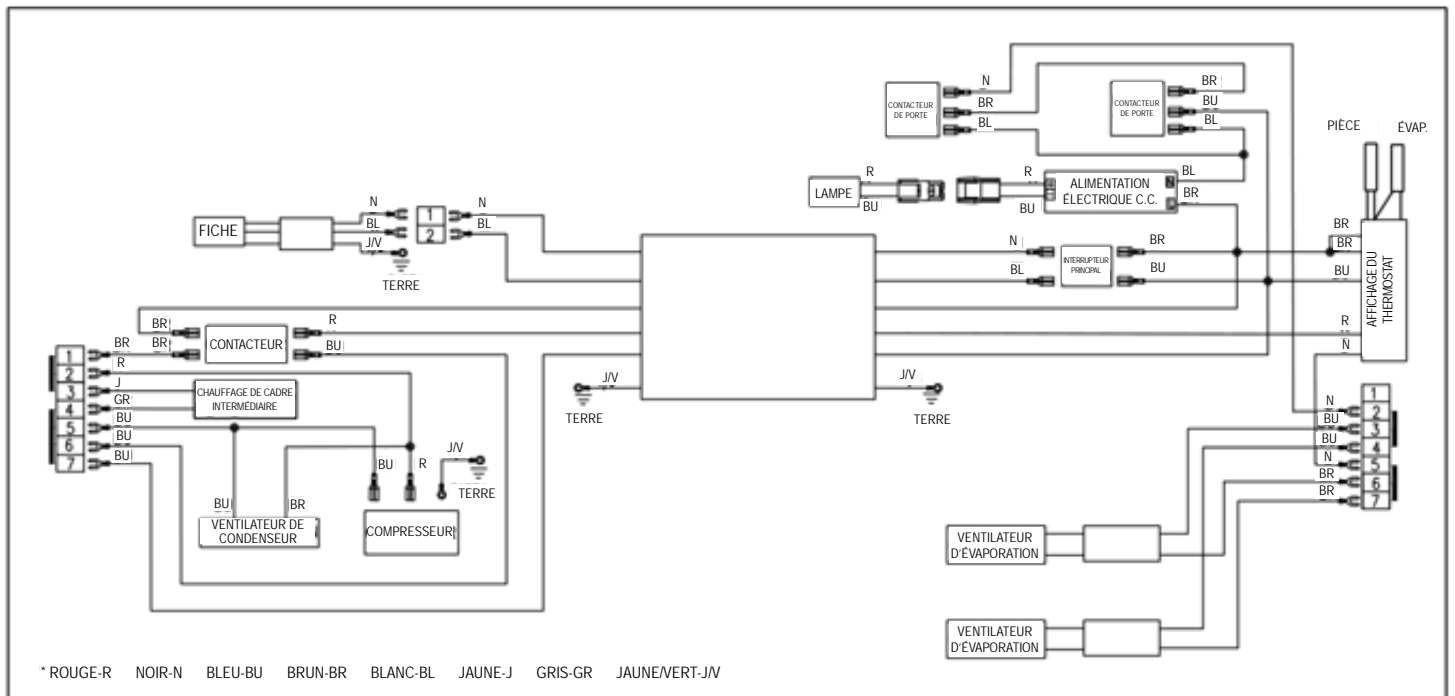
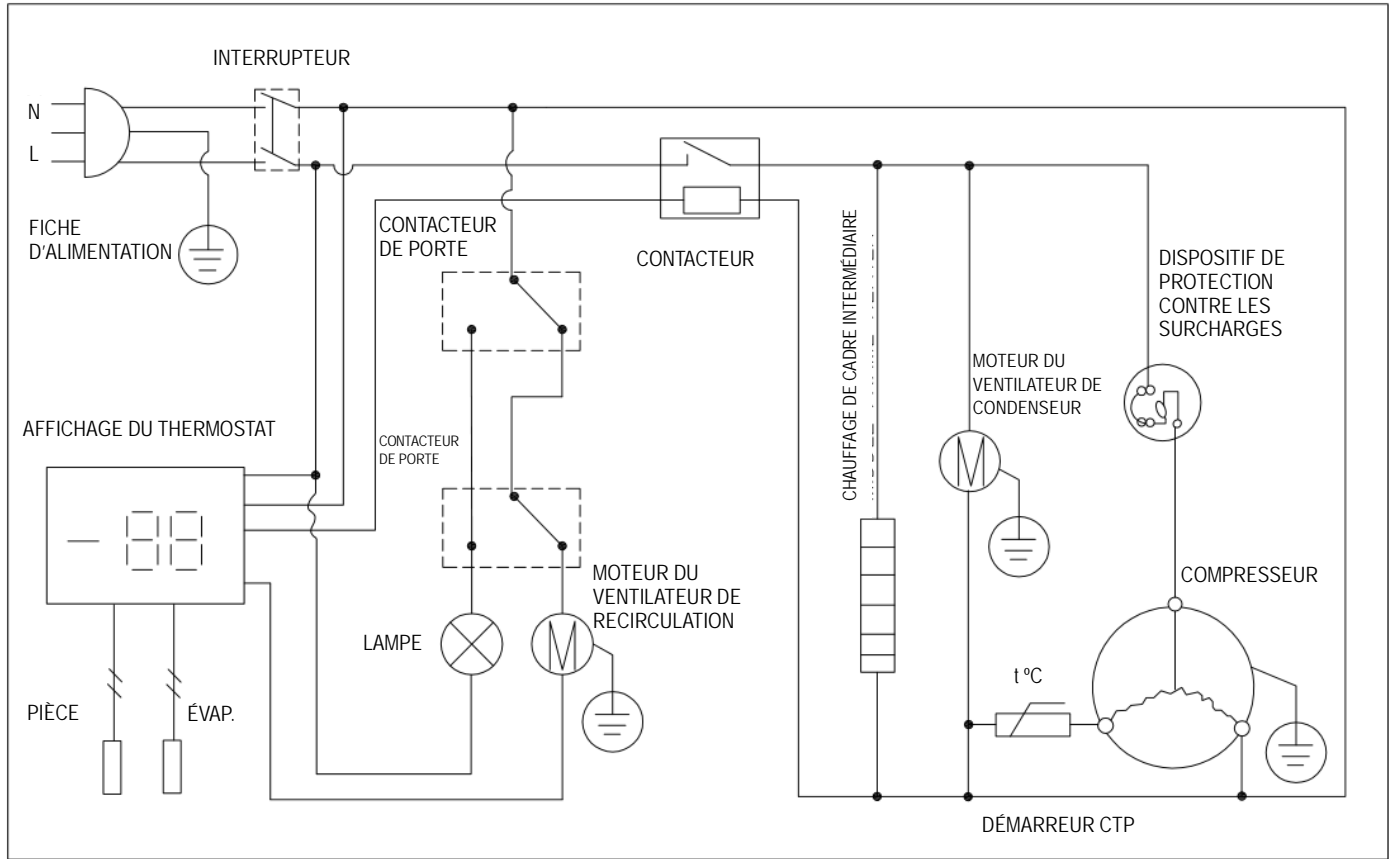
# DIAGRAMMES DE CÂBLAGE (suite)

## MODÈLE : MXSR-23GD



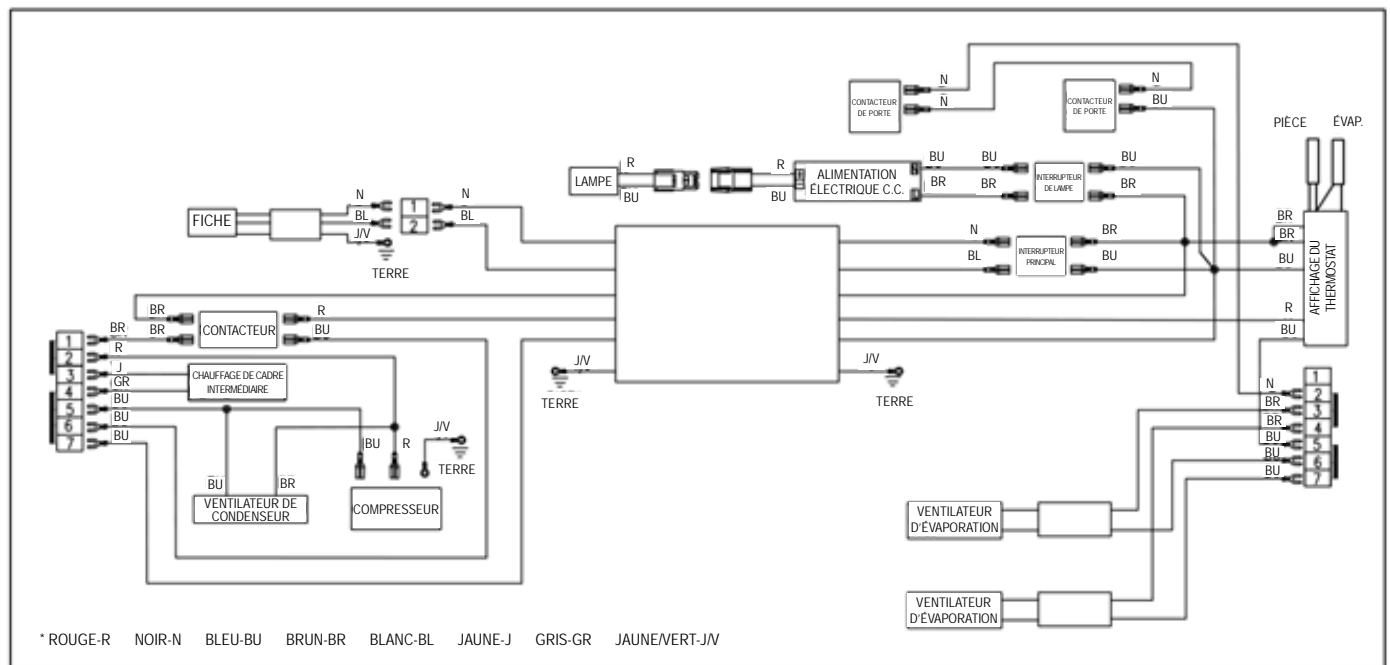
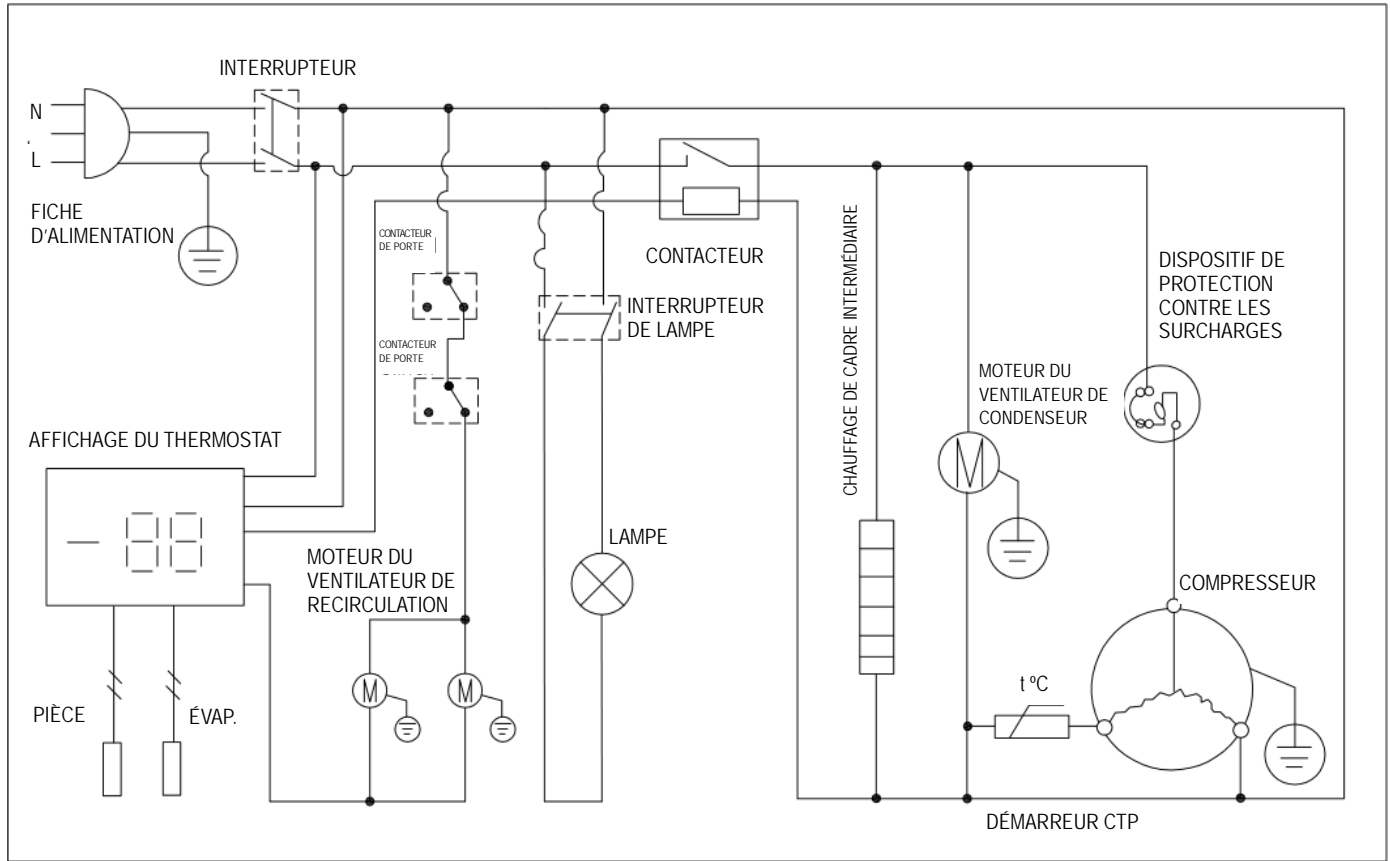
# DIAGRAMMES DE CÂBLAGE (suite)

## MODÈLE : MXSR-49FD



# DIAGRAMMES DE CÂBLAGE (suite)

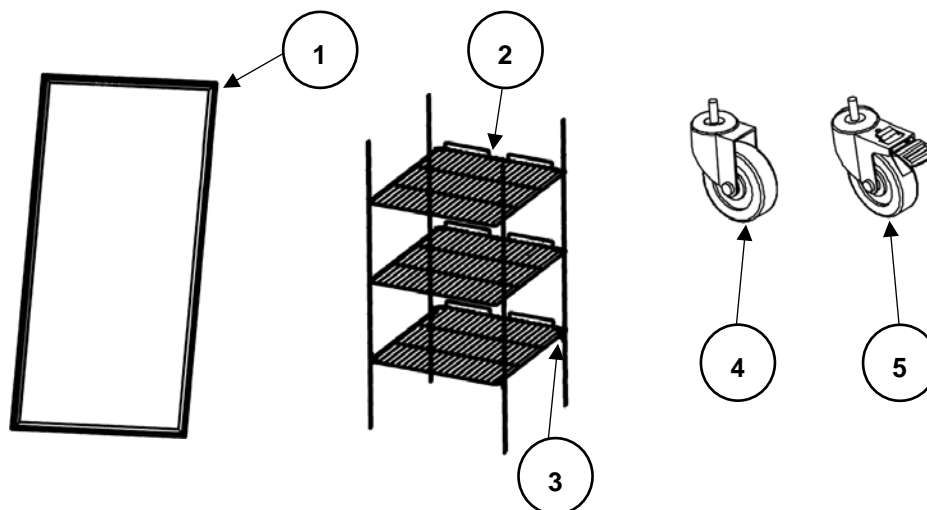
## MODÈLE : MXSR-49GD



\* ROUGE-R NOIR-N BLEU-BU BRUN-BR BLANC-BL JAUNE-J GRIS-GR JAUNE/VERT-J/V

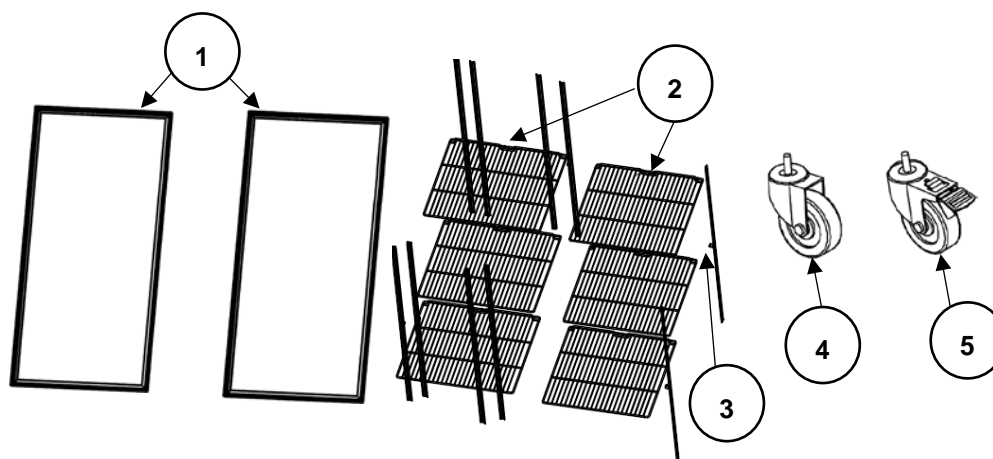
# PIÈCES

## MODÈLE : MXSR-23FD / MXSR-23GD



N° d'article	Numéro de pièce	Descriptions	Qté / appareil
1	SKA-2-110-0047-0	Joint d'étanchéité (porte pleine) MXSR-23FD	1
1	SKA-2-110-0062-0	Joint d'étanchéité (porte en verre) MXSR-23GD	1
2	SKA-2-120-0016-0	Tablette	3
3	SKC-2-110-0625-0	Pince de tablette	12
4	SKA-2-140-0002-0	Roulette	2
5	SKA-2-140-0001-0	Roulette avec frein	2

## MODÈLE : MXSR-49FD / MXSR-49GD



N° d'article	Numéro de pièce	Descriptions	Qté / appareil
1	SKA-2-110-0047-0	Joint d'étanchéité (porte pleine) MXSR-49FD	2
1	SKA-2-110-0062-0	Joint d'étanchéité (porte en verre) MXSR-49GD	2
2	SKA-2-120-0015-0	Tablette	6
3	SKC-2-110-0625-0	Pince de tablette	24
4	SKA-2-140-0002-0	Roulette	2
5	SKA-2-140-0001-0	Roulette avec frein	2

# TABLA DE CONTENIDO

INFORMACIÓN DEL NÚMERO DE SERIE.....	47
SEGURIDAD DEL REFRIGERADOR.....	48
DISPOSICIONES DE SEGURIDAD IMPORTANTES.....	49
DIMENSIONES.....	51
INFORMACIÓN TÉCNICA.....	51
RECEPCIÓN E INSPECCIÓN DEL EQUIPO.....	52
INTRODUCCIÓN.....	52
INFORMACIÓN SOBRE COMPONENTE.....	53
INSTALACIÓN DEL REFRIGERADOR .....	54
Quitar los materiales de empaque.....	54
Requisitos de ubicación.....	54
Gabinete interior:.....	54
Gabinete exterior: .....	54
ESPACIO DE SEPARACIÓN PARA LA INSTALACIÓN .....	55
Nivelar .....	55
Estabilizar .....	55
Conexión eléctrica.....	55
OPERACIÓN .....	56
Ciclo refrigerado.....	56
Interruptor de electricidad: .....	56
DESCRIPCIONES DEL TERMOSTATO DE ESTADO SÓLIDO.....	56
1. MANDOS DEL PANEL FRONTAL.....	56
2. FUNCIONES PRINCIPALES.....	57
3. SEÑALES DE ALARMA .....	57
LIMPIEZA Y MANTENIMIENTO .....	60
Limpieza exterior e interior de refrigeradores.....	60
Limpieza del serpentín del condensador.....	60
Limpieza y mantenimiento del acero inoxidable.....	61
Mantenimiento de la junta .....	61
Puertas/Bisagras .....	61
Mantenimiento del desagüe.....	61
GUÍA PARA LA SOLUCIÓN DE PROBLEMAS.....	62
SOLUCIÓN DE PROBLEMAS.....	62
DIAGRAMAS DE CABLEADO .....	63
PIEZAS .....	67

**VISITA NUESTRO SITIO WEB para LA VERSIÓN MÁS ACTUALIZADA de este MANUAL.**

<http://www.maxximumfoodservice.com/>

Llena y envía a vuelta de correo la tarjeta de garantía adjunta o visita nuestra sitio web/registro de garantía.

Conserva la prueba fechada de la factura de compra que fija el plazo de garantía del equipo.

**SERIE #:** \_\_\_\_\_

**FECHA DE INSTALACIÓN:** \_\_\_\_\_ **MODELO #:** \_\_\_\_\_

## **INFORMACIÓN DEL NÚMERO DE SERIE**

- El número de serie de todos los refrigeradores autónomos está dentro de la unidad a mano izquierda en la parte superior de la pared.
- Ten siempre disponible el número de serie de la unidad al solicitar piezas o servicios.
- Este manual cubre sólo unidades estándar. Si posees una unidad personalizada, consulta al departamento de servicio al cliente por el número de teléfono que aparece en portada.

**LEE ESTE MANUAL EN SU TOTALIDAD  
PARA AYUDAR A FAMILIARIZARTE CON EL NUEVO EQUIPO ANTES DE PROCEDER A USARLO.**  
Hemos dado muchos mensajes importantes de seguridad en este manual.  
Nunca dejes de leer y cumplir con todos los mensajes de seguridad.  
Comprender los mensajes de seguridad ayudará a estar alerta sobre los peligros potenciales,  
así cómo reducir la probabilidad de lesión. Hay que seguir las instrucciones tal como se imparten  
en este manual.

*Debido a cambios periódicos en diseños, métodos, procedimientos, políticas y regulaciones, el contenido de este manual está sujetos a cambio sin previo aviso. Aunque hacemos de buena fe todos los esfuerzos necesarios para brindar información exacta, no somos responsables por los errores u omisiones en la información suministradas o en las conclusiones sacadas como resultado del uso de este manual de referencia. Al utilizar la información suministrada, el usuario asume todos los riesgos relacionados con el uso de aquella.*

## SEGURIDAD DEL REFRIGERADOR

Nunca dejes de leer y cumplir con todos los mensajes de seguridad.



Este es el símbolo de alerta de seguridad. Este símbolo alerta sobre peligros potenciales que pueden causar lesiones y muerte a ti y a otros. Todos los mensajes de seguridad siguen al símbolo de alerta de seguridad y las palabras “**PELIGRO**”, “**ADVERTENCIA**” o “**PRECAUCIÓN**”.

### **¡PELIGRO!**

**PELIGRO** significa que ignorar este mensaje de seguridad pudiera resultar en muerte o lesión personal grave.

### **ADVERTENCIA**

**Advertencia** significa que ignorar este mensaje de seguridad pudiera resultar en considerables daños al producto, lesión personal grave o la muerte.

### **PRECAUCIÓN**

**PRECAUCIÓN** significa que ignorar este mensaje de seguridad pudiera resultar en lesiones personales leves o moderadas, así como en daños a bienes o equipos.

Todos los mensajes de seguridad te alertarán sobre cuál es el peligro potencial, te indicarán cómo reducir la probabilidad de lesión y te harán saber qué puede pasar si no se siguen las instrucciones.



### **NOTA: INSTRUCCIONES DE SEGURIDAD IMPORTANTES**

#### **ADVERTENCIA**

Para reducir el riesgo de incendios, descargas eléctricas o lesiones personales al usar tu refrigerador, cumple con estas precauciones elementales:

- Conéctala en tomacorriente para enchufe de tres clavijas con conexión a tierra
- No quites la clavija de conexión a tierra
- No uses adaptadores
- No uses cables de extensión
- Desconecta la electricidad antes de limpiar
- Desconecta la electricidad antes de dar mantenimiento
- Para trasladar e instalar el refrigerador, emplea dos o más personas

## **GUARDA ESTAS INSTRUCCIONES**



## DISPOSICIONES DE SEGURIDAD IMPORTANTES



Antes de usar el refrigerador tiene que colocarse e instalarse bien tal como de describe en este manual, así que léelo con cuidado. Recomendamos enfáticamente que un profesional instale tu nueva máquina. La garantía pudiera verse afectada o anulada por una instalación incorrecta. Para reducir el riesgo de incendios, descargas eléctricas o lesiones personales al usar el refrigerador, cumple con las precauciones elementales, incluyendo las siguientes:

### ¡PELIGRO!

- Se recomienda disponer de un circuito separado solo para tu refrigerador. Usa receptáculos que no puedan apagarse por interruptor de botón ni de cadena.
- Asegúrate que siempre se suministre el voltaje requerido.
- Esta unidad debe conectarse a un tomacorriente de tamaño apropiado, con conexión a tierra y adecuada protección contra sobrecarga.
- Asegúrate que la unidad no descansa sobre ni contra un cable eléctrico.
- No conectes ni desconectes el enchufe eléctrico con las manos húmedas.
- Nunca desconectes el refrigerador tirando del cable eléctrico. Siempre toma el enchufe firmemente y hala directamente desde el tomacorriente.
- Nunca limpies piezas del refrigerador con fluidos inflamables. No almacenes ni uses gasolina u otros líquidos o vapores inflamables cerca de este o cualquier otro electrodoméstico. Los vapores pueden generar peligro de incendio o explosión.
- Antes de proceder con las operaciones de mantenimiento y limpieza, asegura que la línea de suministro de corriente a la unidad esté desconectada.
- Desconecta el refrigerador o corta la corriente antes de limpiar o dar mantenimiento. Dejar de hacerlo puede resultar en descarga eléctrica o muerte.
- Si la unidad no va usarse durante largo tiempo, lo mejor es desconectarla del tomacorriente.
- Tras desconectar la unidad, espera al menos 10 minutos antes de volver a conectarla. No hacerlo así puede causar daños al compresor.
- Si se va la corriente, espera al menos 5 minutos después que venga para encender la unidad, a fin de evitar daños al compresor.
- No intentes reparar ni reemplazar ninguna pieza de tu refrigerador a menos que esté recomendado específicamente en este manual. Las demás reparaciones o mantenimientos deben realizarse por un técnico calificado.

### ADVERTENCIA

- Para trasladar e instalar el refrigerador, emplea dos o más personas. No hacerlo puede resultar en lesiones de la espalda y otras.
- Este refrigerador tiene que instalarse y ubicarse apropiadamente y conforme a las instrucciones de instalación antes de usarse.
- No tocar las superficies frías en el compartimiento del refrigerador con las manos mojadas o húmedas. La piel pudiera quedarse pegada en estas superficies extremadamente frías.
- Fijar los controles de temperatura en la posición ZERO (0) no quitará la corriente del circuito de luces, calentadores perimetrales o ventiladores del evaporador.
- Para garantizar la ventilación adecuada de tu refrigerador, elige un área bien ventilada con temperaturas entre 50°F (10°C) y 100°F (38°C). Esta unidad DEBE instalarse en un área protegida de los elementos tales como viento, lluvia, rocío o gotas de agua.
- El refrigerador no debe ubicarse cerca de hornos, asadores ni otras fuentes de calor elevado.
- Es importante que el refrigerador esté nivelado para que funcione bien. Puede que necesites hacer varios ajustes para nivelarla.
- Retira los materiales de empaque y limpia el refrigerador antes de usarlo.
- No uses este aparato para función ajena su propósito preconcebido.

## **DISPOSICIONES DE SEGURIDAD IMPORTANTES (cont.)**

### **Conexión eléctrica**

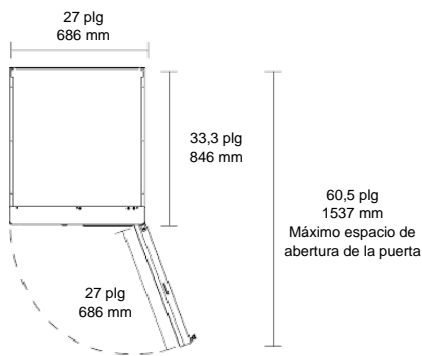
Bajo ninguna circunstancia cortes ni retires la tercera clavija (a tierra) del cable de energía. Para seguridad personal, este electrodoméstico debe conectarse bien a tierra. El cable eléctrico de este electrodoméstico está equipado con un enchufe de 3 clavijas y conexión a tierra que conecta con el tomacorriente de pared estándar correspondiente para minimizar la posibilidad de peligro de descarga eléctrica en el electrodoméstico. Asegúrate que el tomacorriente de pared y el circuito sean verificados por un electricista cualificado y que la conexión a tierra resulte apropiada. El refrigerador debe estar siempre conectado a su propio tomacorriente específico y con rango de voltaje que coincida con aquel de la etiqueta del electrodoméstico. Así se provee el mejor rendimiento y se previene contra sobrecargas en los circuitos del cableado del hogar, que pueden causar peligro de incendio por cables sobrecalentados. Repara o reemplaza de inmediato todos los cables eléctricos que estén raídos o dañados de alguna forma. No uses un cable que muestra daños por agrietamiento o abrasión en su longitud o en algún extremo. Al trasladar el refrigerador, ten cuidado de no dañar el cable eléctrico.

### **Eliminación del refrigerante**

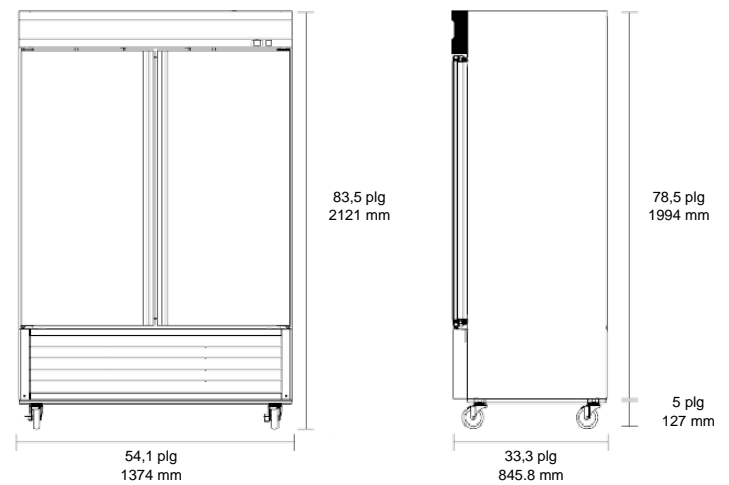
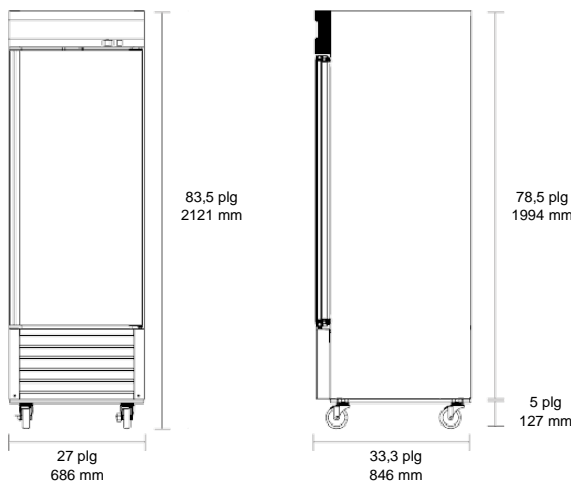
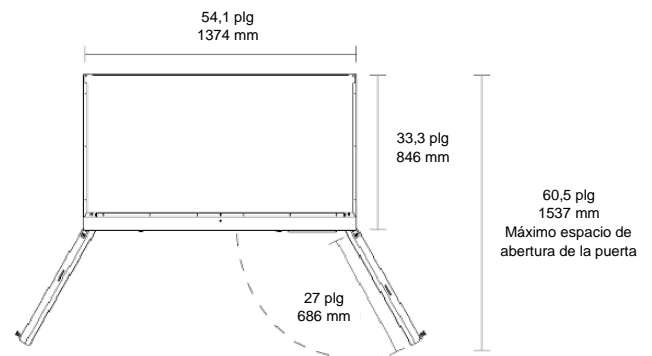
Si estás desechando tu viejo refrigerador, este pudiera tener un sistema de enfriamiento que use productos químicos que agotan la capa de ozono. Asegúrate que un técnico de mantenimiento calificado retire el refrigerante para su adecuada eliminación.

# DIMENSIONES

## MXSR-23FD/GD



## MXSR-49FD/GD



La altura total de la unidad pudiera reducirse en unas 2" con un juego opcional de 4 rueditas resistentes más cortas (2 vienen con freno).

## INFORMACIÓN TÉCNICA

Modelo	MXSR-23FD	MXSR-23GD	MXSR-49FD	MXSR-49GD
Interior: Dimensiones generales: AN*PROF*AL	27" x 33,3" x 83,5"	27" x 33,3" x 83,5"	54,1" x 33,3" x 83,5"	54,1" x 33,3" x 83,5"
mm: Dimensiones generales: AN*PROF*AL	686" x 846" x 2121"	686" x 846" x 2121"	1374" x 846" x 2121"	1374" x 846" x 2121"
Capacidad nominal	19,3 pies <sup>3</sup> / 547 L	19,3 pies <sup>3</sup> / 547 L	42,9 pies <sup>3</sup> / 1215 L	42,9 pies <sup>3</sup> / 1215 L
Peso de la unidad	280 lb / 127 kg	280 lb / 127 kg	470 lb / 213 kg	470 lb / 213 kg
Puertas con bisagras	1	1	2	2
Repisas	3	3	6	6
Mantenimiento eléctrico	110V/60Hz/1Ph	110V/60Hz/1Ph	110V/60Hz/1Ph	110V/60Hz/1Ph
Vataje	320 W	320 W	520 W	520 W
Consumo promedio de amperes	1	1,2	1,3	1,6
Refrigerante	R-134A	R-134A	R-134A	R-134A
Se incluye juego de cable NEMA de 6'	5-15	5-15	5-15	5-15
Configuración de temperatura de fábrica	39 °F (4 °C)	39 °F (4 °C)	39 °F (4 °C)	39 °F (4 °C)

## RECEPCIÓN E INSPECCIÓN DEL EQUIPO

Aunque casi todos los equipos se envían en cajas, hay que tener cuidado durante la descarga para no dañarlos durante el traslado al local previsto.

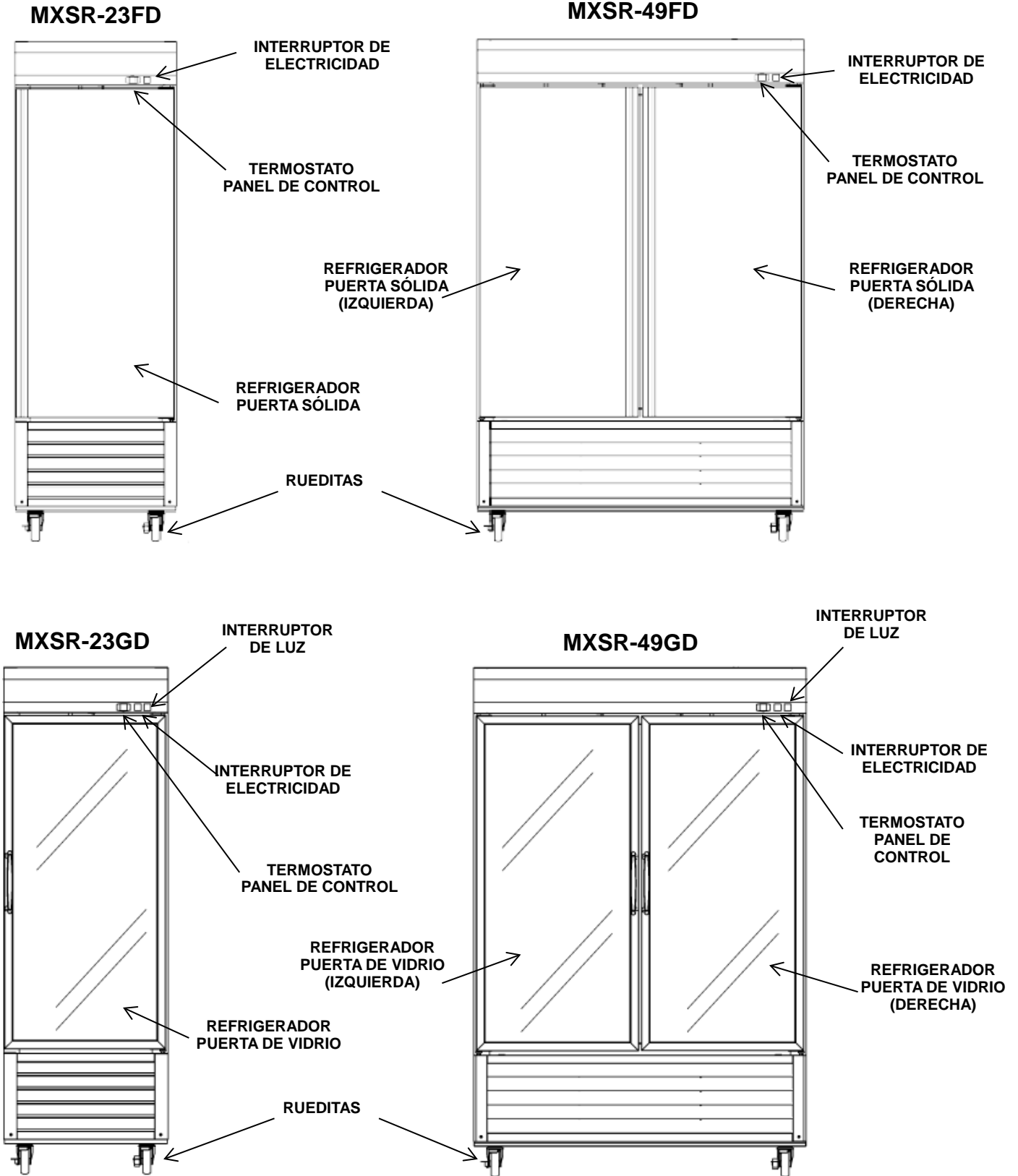
1. Inspecciona visualmente el exterior del paquete y la tarima o contenedor. Cualquier daño detectado debe informarse enseguida al transportista que entrega.
2. En caso de daños hay que abrir e inspeccionar los contenidos con el transportista.
3. En caso de que el exterior no esté dañado, pero al abrirse se detectan daños ocultos en el equipo, hay que notificar al transportista. La notificación debe hacerse tanto verbalmente como por escrito en el formulario pertinente.
4. Solicitar una inspección del equipo dañado por la compañía de transporte. Esto debe hacerse dentro de los 10 días siguientes a la recepción del equipo.
5. Cerciórate de verificar la carcasa del compartimiento del compresor e inspeccionar visualmente el paquete de refrigeración. Asegúrate que las líneas estén seguras y la base aún intacta.
6. Los transportistas de carga pueden proveer los formularios necesarios para daños a instancia del afectado.
7. Retener todo material de embalaje en cajas hasta se realice una inspección o se decida no hacerla.

## INTRODUCCIÓN

Este manual del usuario se concibió para instalar, usar y dar mantenimiento a tu refrigerador Maxx Cold de la Serie Select de acceso directo. Se recomienda guardar este manual en un lugar accesible. Cada máquina Maxx Cold está diseñada y manufacturada de acuerdo con los más altos estándares de seguridad y rendimiento. Cumple o supera las normas de seguridad UL 471 e higiene NSF 7.

The Legacy Companies no asume responsabilidad alguna de ninguna clase en productos manufacturados por Maxx Cold, que hayan sido alterados de cualquier forma, incluyendo el uso de cualquier parte y/o componente no aprobado específicamente por The Legacy Companies. Maxx Cold se reserva el derecho a cambiar diseños y/o introducir mejoras en cualquier momento. Las especificaciones y diseños están sujetos a cambio sin previo aviso.

# INFORMACIÓN SOBRE COMPONENTE



# INSTALACIÓN DEL REFRIGERADOR

## ADVERTENCIA

### Peligro de peso excesivo

Para trasladar e instalar refrigeradores, emplea dos o más personas.  
No hacerlo así pudiera resultar en lesiones en la espalda u otras.

## Quitar los materiales de empaque

### IMPORTANTE:

**No quitar ninguna etiqueta permanente con instrucciones, ni la etiqueta de datos del refrigerador.**

- Quita la cinta adhesiva y el pegamento de tu refrigerador antes de usarlo.
- Para eliminar cualquier cinta adhesiva o pegamento residual, frota vigorosamente el área con tu pulgar. La cinta adhesiva o pegamento residual pueden eliminarse también restregando con los dedos un poco de jabón lavaplatos líquido sobre el adhesivo. Limpia con un paño y agua tibia; seca con un paño suave.
- No uses instrumentos cortantes, ni restriegues con alcohol, fluidos inflamables ni limpiadores abrasivos para eliminar cinta adhesiva o pegamento. Estos productos pueden dañar la superficie de tu refrigerador.

### AVISO:

*LA PÉRDIDA O DESCOMPOSICIÓN DE PRODUCTOS EN TU REFRIGERADOR NO ESTÁN CUBIERTAS POR LA GARANTÍA. ADEMÁS DE LOS PROCEDIMIENTOS DE INSTALACIÓN RECOMENDADOS. POR FAVOR, DEJA QUE EL REFRIGERADOR FUNCIONE 24 HORAS ANTES DE USARLO.*

## Requisitos de ubicación

- Los refrigeradores presentados en este manual se concibieron sólo para uso en interiores.
- Asegura que la ubicación elegida tenga el piso con resistencia suficiente para soportar el peso total del gabinete y sus contenidos, ya que una unidad completamente cargada puede pesar hasta 1,500 libras.
- Reforzar el piso si es necesario para que soporte la carga máxima.
- Para refrigeración más eficiente, asegura la buena circulación del aire dentro y fuera.

## Gabinete interior:

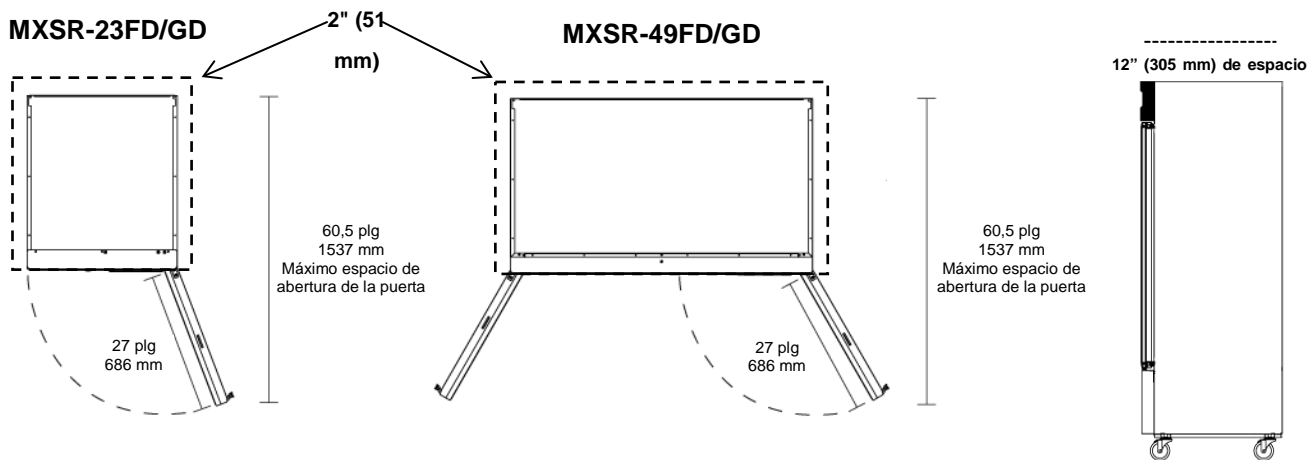
No llenar las unidades al extremo de que el aire no puede circular. El aire refrigerado se libera en el tope de la parte posterior de la unidad. Es importante permitir el flujo de aire apropiado desde la parte superior del fondo hasta la parte inferior de la unidad. Las obstrucciones a este flujo de aire pueden causar congelamiento del serpentín del evaporador, pérdida de temperatura o desbordamiento de agua de la bandeja de desagüe del evaporador. Las repisas tienen cierto saliente en la parte posterior para evitar esto. Sin embargo, las bolsas y otros artículos pueden estar aún en la parte posterior más lejana del gabinete. El aire llega al serpentín del evaporador gracias a ventiladores montados enfrente.

## Gabinete exterior:

Asegura que la unidad tenga amplio acceso al aire. Evitar ubicaciones y esquinas calientes cerca de estufas y hornos. Se recomienda instalar la unidad a no menos de 2" (51 mm) de cualquier pared, con espacio libre de 60.5" (1.54 m) como máximo para abrir la puerta. (1537 mm) y con al menos 12" (305 mm) de espacio libre por encima de la unidad.

## INSTALACIÓN DEL REFRIGERADOR (cont.)

### ESPACIO DE SEPARACIÓN PARA LA INSTALACIÓN



### Nivelar

Asegurar que esté nivelado el piso donde se ubica la unidad.

### Estabilizar

Todos los modelos se suministran con rueditas para comodidad del cliente. Sin embargo, es muy importante que el gabinete se instale en condición estable con los ruedas delanteras bloqueadas mientras esté en uso. Si por cualquier causa resulta necesario tender la unidad sobre uno de sus lados o su parte posterior, deja pasar al menos 24 horas antes de volver a arrancarla para que el aceite del compresor fluya de regreso a su lugar. Incumplir estos requerimientos puede causar fallas en el compresor y daños a la unidad.

### AVISO:

***Las reparaciones de la unidad no estarán sujetas a las garantías estándar si traen su causa de procedimiento inapropiados de instalación.***

### Conexión eléctrica

Consulta los datos de amperaje en la tabla de información técnica, la etiqueta de serie, el Código Nacional de Electricidad o tu código local para asegurar que la unidad quede conectada a la fuente de electricidad apropiada.



### ¡PELIGRO!

**Esta unidad tiene que apagarse (OFF) y desconectarse de la fuente de corriente siempre que se preste servicio, se ejecuten funciones de mantenimiento o se limpie el área refrigerada. Incumplir esta regla pudiera resultar en muerte o lesión personal grave.**

# OPERACIÓN (Unidades fabricadas antes de julio de 2018)

## Ciclo refrigerado

Refrigeradores: Durante el ciclo de refrigeración, los ventiladores del evaporador funcionarán continuamente incluso si una o más puertas están abiertas. El interruptor en la puerta activará las luces al abrirse aquella sólo en los modelos de puerta sólida. Las luces en modelos con puerta de vidrio se enciende manualmente con interruptor ubicado cerca del interruptor principal de corriente eléctrica.

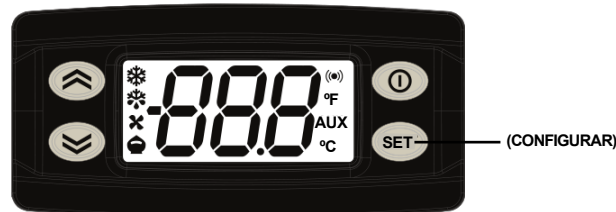
1. Cada 6 horas, la unidad se apagará y permitirá que el serpentín del evaporador se descongele con aire. El regulador mostrará ahora el símbolo de descongelamiento. Cuando la temperatura del serpentín alcanza 53°F (12°C) o después de 30 minutos de descongelación, la unidad se encenderá de nuevo.
2. Los calentadores anticondensación en los marcos de la puerta funcionan en coordinación con el compresor.
3. Rango recomendado para mantener la temperatura: 34° a 40°F (2° a 5°C).
4. Viene configurado de fábrica a 39°F (4°C).

## Conmutador de energía:

El conmutador de energía está ubicado en la parte frontal del panel inferior. Si la unidad está encendida, el conmutador resplandecerá en verde.

## DESCRIPCIONES DEL TERMOSTATO DE ESTADO SÓLIDO (Unidades fabricada antes de julio de 2018)

### 1. MANDOS DEL PANEL FRONTAL



#### Presionar y liberar

- Desplaza a través de las opciones del menú
- Incrementa valores

#### Presionar por al menos 5 segundos

- Activa la función de descongelación manual



#### Presionar y liberar

- Retorna al nivel previo del menú
- Confirma el valor del parámetro

#### Presionar por al menos 5 segundos

- Activa la función de espera (OFF - APAGADO) (al estar fuera de los menús)



#### Presionar y liberar

- Desplaza a través de las opciones del menú
- Disminuye valores

#### Presionar por al menos 5 segundos

- Función configurable por el usuario

#### SET (CONFIGURAR)

#### Presionar y liberar

- Muestra las alarmas (si están activas)
- Abre el menú de estado de la máquina
- Confirma mandos

#### Presionar por al menos 5 segundos

- Abre el menú para programación

### 1.1 Función de LEDS

LED	MODOS	SIGNIFICADO
	Encendido(On)	COMPRESOR habilitado
	Intermitente	un retraso, una protección o un arranque bloqueado
	Encendido(On)	Descongelación en curso
	Intermitente	Entrada manual o digital (D.I.) activación
	Encendido(On)	Potencia de los ventiladores habilitada
	Encendido(On)	alarma activa
	Intermitente	alarma reconocida



# OPERACIÓN (Unidades fabricada antes de julio de 2018) (cont.)

## 2. FUNCIONES PRINCIPALES

### 2.1 CÓMO VER EL VALOR NOMINAL

1. Presiona y suelta de inmediato la tecla **SET**: la etiqueta 'SET' aparece;
2. Para mostrar el valor del punto de ajuste, presiona la tecla **SET** (configurar);
3. Espera unos 15 segundos para retornar a la visualización normal.



### 2.2 CÓMO CAMBIAR EL VALOR NOMINAL

1. Presiona y suelta de inmediato la tecla **SET**: la etiqueta 'SET' aparece;
2. Para mostrar el valor del punto de ajuste, presiona la tecla **SET** (configurar);
3. Para cambiar el valor nominal presiona el o flechas.
4. Presiona la tecla **SET** para confirmar la modificación.

### 2.3 CÓMO COMENZAR EL DESCONGELAMIENTO MANUAL

Presiona la tecla por más de 5 segundos y arrancará la descongelación manual. Si las condiciones de descongelamiento:

- parámetro OdO ≠ 0
- la temperatura en la sonda Pb2 excede de la temperatura final de descongelación

no se satisfacen, la pantalla parpadeará 3 veces para indicar que la operación no pudo llevarse a cabo.

### 2.4 PARA BLOQUEAR EL TABLERO

Es posible desactivar el tablero en este dispositivo. El teclado puede bloquearse mediante programación del parámetro 'LOC'. Con el teclado bloqueado aún puedes tener acceso al menú 'Machine Status' (Estado de la Máquina) presionando la tecla **SET** para mostrar el punto de ajuste, pero no puedes hacer cambios.

### 2.5 PARA DESBLOQUEAR EL TABLERO

Para desactivar el bloqueo del teclado repite el procedimiento para bloquear.

## 3. SEÑALES DE ALARMA

Las alarmas siempre se indicarán por el sonido del zumbador (en su caso) o por el icono correspondiente

Para apagar el zumbador, presiona y suelta cualquier tecla; el icono correspondiente continuará intermitente.

Etiqueta	Causa	Efectos
E1	<ul style="list-style-type: none"> <li>• valores medidos fuera del rango de operación</li> <li>• Comprobar defecto / corto circuito / abierto</li> </ul>	<ul style="list-style-type: none"> <li>• Mostrar etiqueta <b>E1</b></li> <li>• El icono de alarma permanentemente encendido</li> <li>• Desactivar máx/mín del regulador de alarma</li> <li>• La operación del compresor se basa en parámetros <b>Ont</b> y <b>Oft</b></li> </ul>
E2	<ul style="list-style-type: none"> <li>• valores medidos fuera del rango de operación</li> <li>• Comprobar defecto / corto circuito / abierto</li> </ul>	<ul style="list-style-type: none"> <li>• Mostrar etiqueta <b>E2</b></li> <li>• El icono de alarma permanentemente encendido</li> <li>• El ciclo Defrost (Descongelación) finalizará debido a límite de tiempo (<b>dEt</b>)</li> <li>• Los ventiladores del evaporador funcionarán en el modo Duty Cycle</li> </ul>
AH1	lectura de valor <b>Pb1&gt;HAL</b> luego del tiempo de <b>tAO</b> . (ver 'ALARMAS DE TEMPERATURA MÁX/MÍN')	<ul style="list-style-type: none"> <li>• Registrar la etiqueta <b>AH1</b> en la carpeta AL</li> <li>• No afecta la regulación</li> </ul>
AL1	lectura de valor <b>Pb1&gt;HAL</b> luego del tiempo de <b>tAO</b> . (ver 'ALARMAS DE TEMPERATURA MÁX/MÍN')	<ul style="list-style-type: none"> <li>• Registrar la etiqueta <b>AL1</b> en la carpeta AL</li> <li>• No afecta la regulación</li> </ul>
C/U	activación por entrada digital ( <b>H11 = ±5</b> )	<ul style="list-style-type: none"> <li>• Registrar la etiqueta <b>EA</b> en la carpeta AL</li> <li>• El icono de alarma permanentemente encendido</li> <li>• Regulación bloqueada si <b>EAL = y</b></li> </ul>
OPd	activación por entrada digital ( <b>H11 = ±4</b> ) (para más allá de <b>tdO</b> )	<ul style="list-style-type: none"> <li>• Registrar la etiqueta <b>OPd</b> en la carpeta AL</li> <li>• El icono de alarma permanentemente encendido</li> <li>• Regulador bloqueado</li> </ul>
Ad2	Fin del ciclo de descongelación por límite de tiempo antes que por temperatura final de descongelación registrada por la sonda Pb2.	<ul style="list-style-type: none"> <li>• Registrar la etiqueta <b>Ad2</b> en la carpeta AL</li> <li>• El icono de alarma permanentemente encendido</li> </ul>

# OPERACIÓN (Unidades fabricadas después de julio de 2018)

## Ciclo refrigerado

Refrigeradores: Durante el ciclo de refrigeración, los ventiladores del evaporador funcionarán continuamente incluso si una o más puertas están abiertas. El interruptor en la puerta activará las luces al abrirse aquella sólo en los modelos de puerta sólida. Las luces en modelos con puerta de vidrio se enciende manualmente con interruptor ubicado cerca del interruptor principal de corriente eléctrica.

1. Cada 6 horas, la unidad se apagará y permitirá que el serpentín del evaporador se descongele con aire. El regulador mostrará ahora el símbolo de descongelamiento. Cuando la temperatura del serpentín alcanza 53°F (12°C) o después de 30 minutos de descongelación, la unidad se encenderá de nuevo.
2. Los calentadores anticondensación en los marcos de la puerta funcionan en coordinación con el compresor.
3. Rango recomendado para mantener la temperatura: 34° a 40°F (2° a 5°C).
4. Viene configurado de fábrica a 39°F (4°C).

## Conmutador de energía:


El conmutador de energía está ubicado en la parte frontal del panel inferior. Si la unidad está encendida, el conmutador resplandecerá en verde.


## DESCRIPCIONES DEL TERMOSTATO DE ESTADO SÓLIDO (Unidades fabricada después de julio de 2018)


### 1. MANDOS DEL PANEL FRONTAL




**SET:** Para mostrar el punto de configuración establecido; en modo de programación, selecciona un parámetro o confirma una operación.

 Para comenzar una descongelación manual.


 En el modo de programación busca los códigos paramétricos o incrementa el valor mostrado.

 En el modo de programación busca los códigos paramétricos o disminuye el valor mostrado.






### KEYS COMBINATION

 Para bloquear o desbloquear el teclado.

**SET** +  Para entrar al modo de programación.

**SET** +  Para retornar a la indicación de la temperatura ambiente.

### 1.1 Función de LEDS

LED	MODO	SIGNIFICADO
	Encendido (On)	Compresor habilitado
	Intermitente	Habilitado contra retraso del ciclo corto (parámetro AC)
	Encendido (On)	Descongelación en curso
	Intermitente	Goteo en curso
	Encendido (On)	Potencia de los ventiladores habilitada
	Intermitente	Los ventiladores se retrasan después de la descongelación
	Encendido (On)	Unidad de medida
	Intermitente	Modo de programación
	Encendido (On)	Unidad de medida
	Intermitente	Modo de programación

# OPERACIÓN (Unidades fabricadas después de julio de 2018) (cont.)

## 2. FUNCIONES PRINCIPALES

### 2.1 CÓMO VER EL PUNTO DE CONFIGURACIÓN

1. Pulsar e inmediatamente soltar la tecla **SET** para que se muestre el punto de configuración;
2. Pulsar e inmediatamente soltar la tecla **SET** o esperar unos 5 segundos para retornar a la visualización normal.



### 2.2 CÓMO CAMBIAR EL PUNTO DE CONFIGURACIÓN

1. Pulsar la tecla SET por más de 2 segundos para cambiar el valor del punto de configuración;
2. Se mostrará el valor del punto de configuración y las LEDs de las unidades “°C” o “°F” comenzarán a destellar con intermitencia;
3. Para cambiar el valor configurado pulsar las flechas  $\blacktriangle$  o  $\blacktriangledown$
4. Para guardar en memoria el nuevo valor del punto de configuración, pulsar la tecla SET de nuevo o esperar 10 segundos.

### 2.3 CÓMO COMENZAR UNA DESCONGELACIÓN MANUAL

Pulsar la tecla **DEF**  por más de 2 segundos y comenzará una descongelación manual.



### 2.4 PARA BLOQUEAR EL TECLADO

1. Mantener presionadas por más de 3 segundos las teclas  $\blacktriangle$  y  $\blacktriangledown$
2. Se mostrará el mensaje “OF” y el teclado quedará bloqueado. Si una tecla se presiona por más de 3 segundos, el mensaje “OF” aparecerá.



### 2.5 PARA DESBLOQUEAR EL TECLADO

Mantener presionadas por más de 3 segundos las teclas  $\blacktriangle$  y  $\blacktriangledown$  hasta que se muestre el mensaje “on”.

## 3. SEÑALES DE ALARMA

Mess.	Causa	Salidas
"P1"	Falla de la sonda de cámara	Salida del compresor de acuerdo con "Cy" y "Cn"
"P2"	Falla de la sonda del evaporador	El final de la descongelación está cronometrado
"HA"	Alarma de máxima temperatura	Salidas invariables
"LA"	Alarma de mínima temperatura	Salidas invariables
"EA"	Alarma externa	Salidas invariables
"CA"	Alarma externa de gravedad	Todas las salidas OFF
"dA"	Puerta abierta	El compresor y los ventiladores reinician su funcionamiento

### 3.1. RESTAURACIÓN DE LA ALARMA

Las alarmas de las sondas “P1” y “P2” arrancará algunos segundos después de la falla en la sonda correspondiente, y cesarán automáticamente algunos segundos después que la sonda en cuestión reinicie su operación normal. Hay que verificar las conexiones antes de reemplazar la sonda. Las alarmas de temperatura “HA” y “LA” cesarán automáticamente tan pronto como la temperatura retorne a su valor normal. Las alarmas “EA” y “CA” (con iF=bL) se restauran tan pronto como quede desactivada la entrada digital.

## LIMPIEZA Y MANTENIMIENTO



### ¡PELIGRO!

**La unidad tiene que apagarse y desconectarse de la fuente de corriente siempre que se preste servicio, se ejecuten funciones de mantenimiento o se limpie el área refrigerada. Incumplir esta regla pudiera resultar en muerte o grave lesión personal.**

### Limpiieza exterior e interior de refrigeradores

Limpiar con agua tibia y jabón. Si esto no es suficiente, prueba con amoníaco y agua o un líquido limpiador no abrasivo. Al limpiar el exterior restriega siempre con el "grano" del acero inoxidable para evitar marcas en el acabado.

- No usar limpiador abrasivo, ya que dañaría al plástico y al acero inoxidable, así como las juntas y las bandas del disyuntor.

### Limpiieza del serpentín del condensador

Se recomienda limpiar con regularidad cada 90 días. En algunos casos pudieras encontrar una gran cantidad de desechos y polvo o grasa acumulada antes del marco temporal de 90 días. En estos casos el serpentín del condensador debe limpiarse cada 30 días.

Si la acumulación en el serpentín consiste sólo en un poco de polvo y desechos, el serpentín del condensador puede limpiarse con un cepillo ordinario. En caso de mucha acumulación del polvo pudiera requerirse una aspirada e incluso aire comprimido para soplar a través del serpentín del condensador.

Si hay mucha grasa recurre a los agentes desengrasantes disponibles para usar en refrigeración y específicamente para serpentines de condensador. El serpentín del condensador pudiera requerir limpieza con agente desengrasante y seguidamente soplar con aire comprimido.

No mantener limpio el serpentín del condensador puede causar inicialmente altas temperaturas y alargar en exceso los tiempos de funcionamiento. La operación continua con serpentines obstruidos o sucios puede resultar en fallas del compresor. No atenerse a los procedimientos de limpieza del serpentín del condensador anulará toda garantía relacionada con el compresor o el costo de su reposición.

- Para operación eficiente, mantén la superficie del condensador libre de polvo, suciedad y pelusas.
- Recomendamos limpiar el serpentín del condensador al menor una vez al mes.
- Limpiar el condensador con un cepillo suave y un limpiador de serpentín de condensador de calidad comercial, disponibles en cualquier tienda minorista de equipos de refrigeración comercial, o pasa la aspiradora o emplea CO<sub>2</sub>.



### PRECAUCIÓN

**Nunca usar lavado con agua a presión elevada en este procedimiento de limpieza, ya que así podrían dañarse los componentes eléctricos ubicados cerca o en el serpentín del condensador.**

Para mantener la refrigeración con rendimiento apropiado, las aletas del condensador tienen que limpiarse con regularidad para eliminar el polvo, la grasa y la suciedad. Se recomienda hacer esto al menos cada tres meses. Si las condiciones son tales que el condensador queda totalmente bloqueado en tres meses, hay que incrementar la frecuencia de limpieza. Limpiar el condensador con una aspiradora o cepillo duro. En caso de suciedad extrema pudiera requerirse un limpiador de condensador con calidad comercial.

## LIMPIEZA Y MANTENIMIENTO (cont.)

### Limpieza y mantenimiento del acero inoxidable

Para evitar corrosión o decoloración del acero inoxidable hay tomar varias medidas importantes. Ante todo necesitamos comprender las propiedades del acero inoxidable. El acero inoxidable contiene 70-80% de hierro, que se corroerá. También contiene 12-30% de cromo, que forma una película pasiva invisible sobre la superficie del acero como escudo contra la corrosión. Mientras la capa protectora permanezca intacta, el metal seguirá siendo inoxidable. Si la película se rompe o contamina, los elementos exteriores pueden comenzar a deteriorar el acero y a corroerlo o decolorarlo.



#### PRECAUCIÓN

**La limpieza adecuada del acero inoxidable requiere paños suaves o estropajos plásticos. ¡No usar nunca estropajos de acero ni cepillos de alambre ni raspadores!**

Las soluciones para limpiar deben tener base alcalina o sin cloro. Cualquier limpiador que contenga cloro dañará la película protectora del acero inoxidable. Si se usan limpiadores que contienen cloro, asegúrate de enjuagar y secar bien.

La limpieza rutinaria del acero inoxidable puede hacerse con agua y jabón. Las manchas o grasa extremas deben limpiarse con un limpiador no abrasivo y un estropajo plástico. Siempre es bueno frotar con el grano del acero. También están disponibles limpiadores para acero inoxidable que pueden restaurar y preservar el acabado de la capa protectora del acero.

Síntomas tempranos del deterioro del acero inoxidable pueden ser las pequeñas grietas y fisuras. Si esto ha comenzado, limpia a fondo y empieza a aplicar limpiadores de acero inoxidable para intentar restaurar la pasividad del acero.



#### PRECAUCIÓN

**¡Nunca uses una solución ácida para limpiar! Muchos alimentos tienen contenido ácido que puede deteriorar el acabado. Asegúrate de limpiar las superficies de acero inoxidable sin dejar NINGÚN resto de alimentos.**

### Mantenimiento de la junta

Las juntas requieren limpiarse con regularidad para preservar su elasticidad e impedir que se acumulen moho y hongo. La junta puede limpiarse con agua jabonosa tibia. Evita limpiar las juntas con productos de mucha potencia. No usar herramientas filosas ni cuchillas para raspar o limpiar la junta.

Las juntas pueden reponerse fácilmente sin que se requiera usar herramientas ni recurrir a los técnicos de mantenimiento autorizados. Las juntas son estilo "Dart" y pueden sacarse de la ranura en la puerta para ser reemplazadas por otras nuevas colocándolas a presión en su lugar.

### Puertas/Bisagras

Si la puerta empieza a hundirse, aprieta los tornillos de montaje de los soportes de bisagra al armazón de la unidad. Si las puertas están flojas o hundidas, esto puede causar que la bisagra se salga del marco y así pudieran dañarse tanto las puertas como sus bisagras.

### Mantenimiento del desagüe

Cada unidad tiene un desagüe dentro que elimina la condensación del serpentín del evaporador mediante evaporación en una bandeja externa para evaporar condensado. El desagüe puede aflojarse o desconectarse. Si notas acumulación excesiva de agua dentro de la unidad, asegura que el tubo de desagüe está conectado desde la carcasa del evaporador hasta su bandeja de desagüe de condensado.

Si el agua empieza a acumularse debajo de la unidad, revisa el tubo de drenaje de condensado del evaporador para asegurar que sigue ubicado dentro de la bandeja de desagüe.

Si tu piso no está nivelado, esto puede causar problemas de desagüe. Garantiza que todas las líneas estén libres de obstrucciones, ya que estas pudieran provocar el reflujó del agua y que las bandejas de desagüe se desborden.

# GUÍA PARA LA SOLUCIÓN DE PROBLEMAS

## ANTES DE SOLICITAR EL SERVICIO

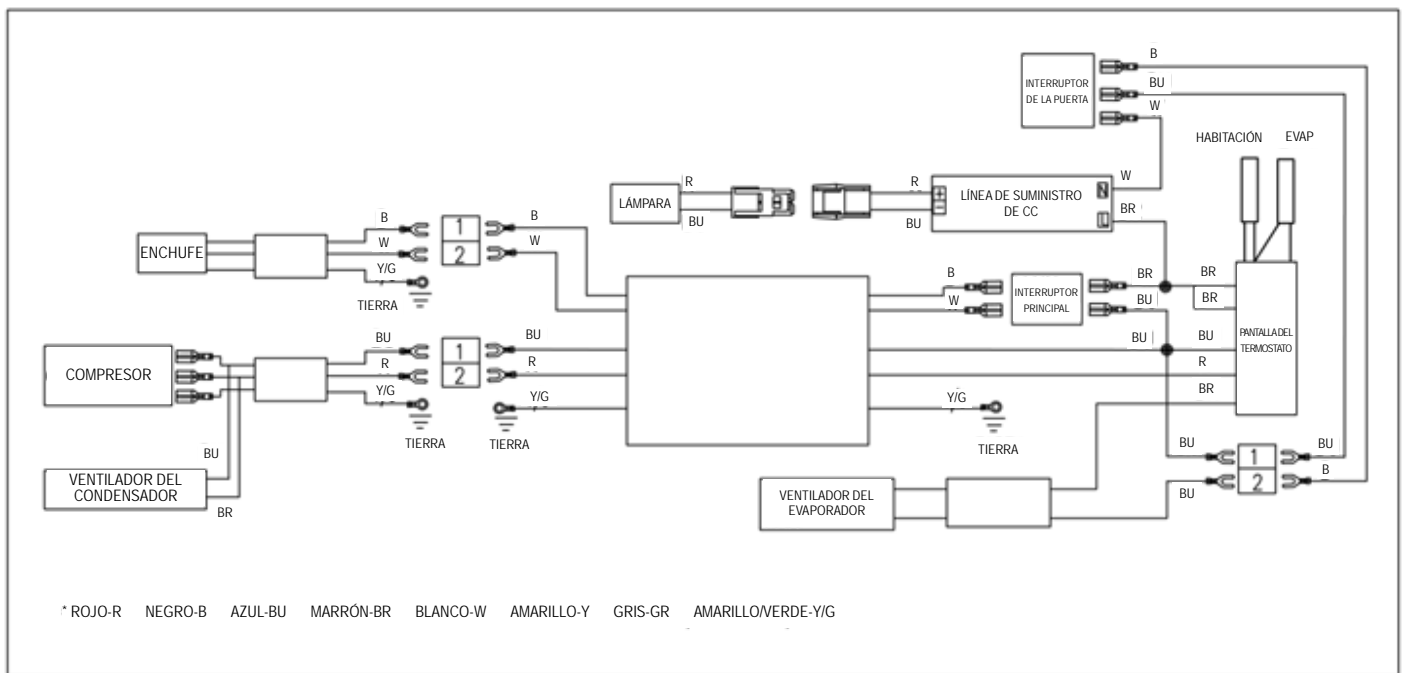
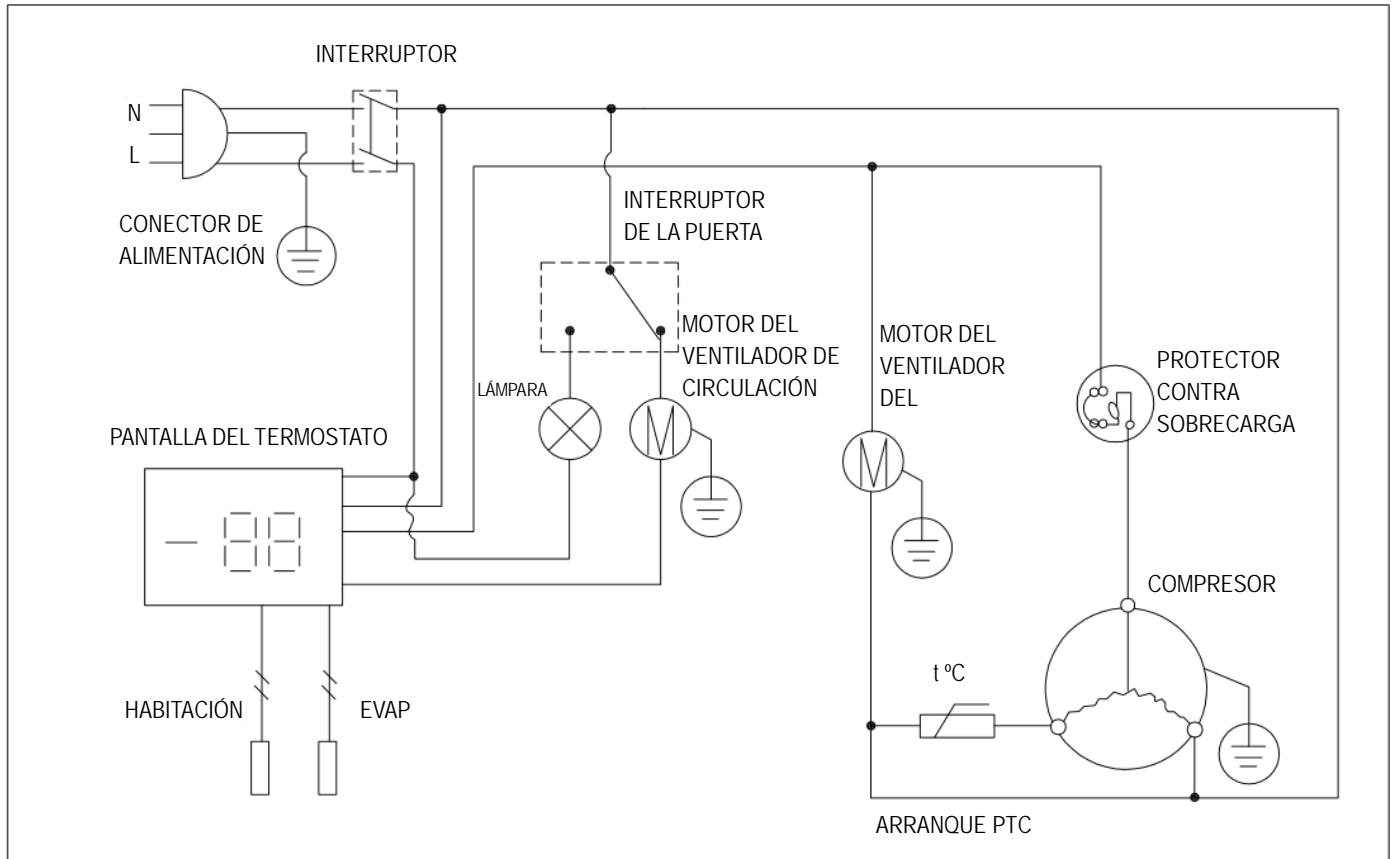
Si la unidad parece estar funcionando mal, primero lee detalladamente la sección *FUNCIONAMIENTO* de este manual. Si persiste el problema, consulta la sección de soluciones (Troubleshooting) más abajo. El problema pudiera ser algo tan simple que se resuelve sin llamar al servicio técnico.

## SOLUCIÓN DE PROBLEMAS

Defecto	Causa probable	Medida
El compresor no está funcionando.	El fusible se quemó o el disyuntor se desactivó.	Reponer el fusible o reiniciar el disyuntor de circuito. Si cambiar el fusible o reiniciar el disyuntor de circuito no resuelve el problema, contacta a un técnico de mantenimiento calificado.
	Cable eléctrico desconectado.	Enchufar el cable eléctrico
	Termostato configurado a temperatura demasiado alta.	Ajustar el termostato a temperatura más baja.
La temperatura del gabinete es demasiado cálida.	Termostato configurado a temperatura demasiado alta.	Ajustar el termostato a temperatura más baja.
	El flujo de aire está bloqueado.	Reorganizar los productos para permitir que el aire fluya adecuadamente. Asegura que hay al menos cuatro pulgadas de espacio libre desde el ventilador.
	Bajos niveles de refrigerante.	Contacta a un técnico de mantenimiento calificado para revisar los niveles de refrigerante.
	La puerta está ligeramente entreabierta.	Asegurar que la puerta quede completamente cerrada.
La luz interior no funciona.	Conexión defectuosa del interruptor.	Apaga el interruptor de la luz y vuelve a encenderlo.
	La bombilla no está conectada.	Asegura que la bombilla quedó correctamente insertada en su portador.
	La bombilla se fundió.	Reponer la bombilla. Si cambiar la bombilla no resuelve el problema, contacta a un técnico de mantenimiento calificado.
La condensación se está acumulando en el gabinete y/o el piso.	La junta no está sellando bien.	Limpiar, reparar o reponer la junta según sea necesario.

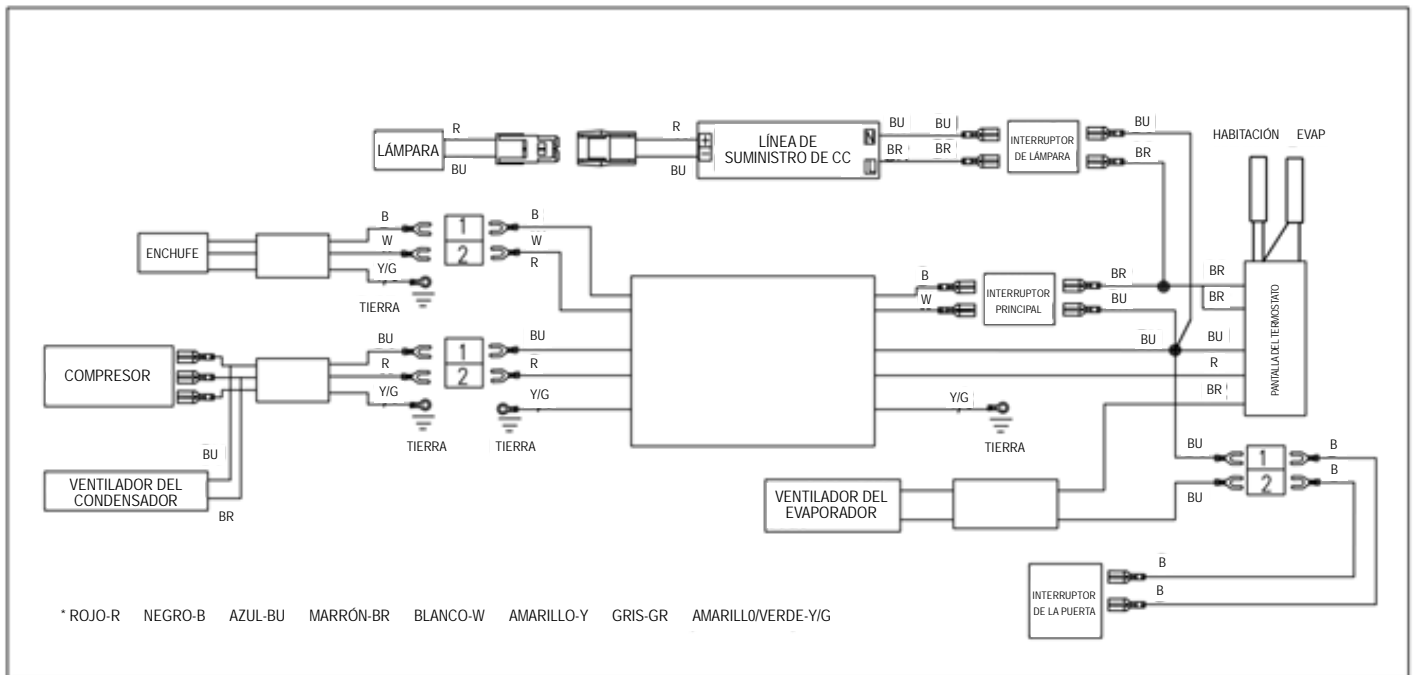
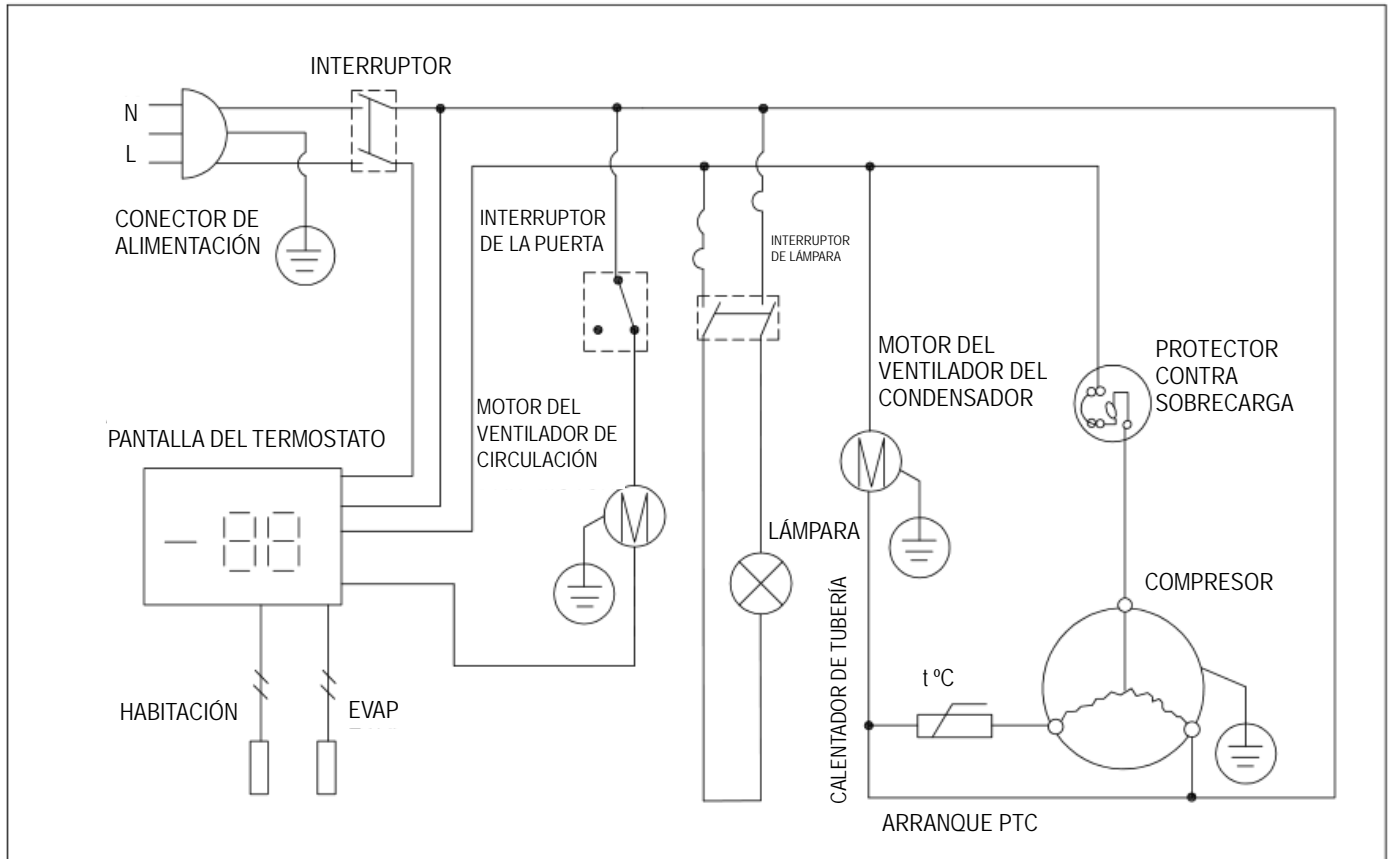
# DIAGRAMAS DE CABLEADO

## MODELO: MXSR-23FD



# DIAGRAMAS DE CABLEADO (cont.)

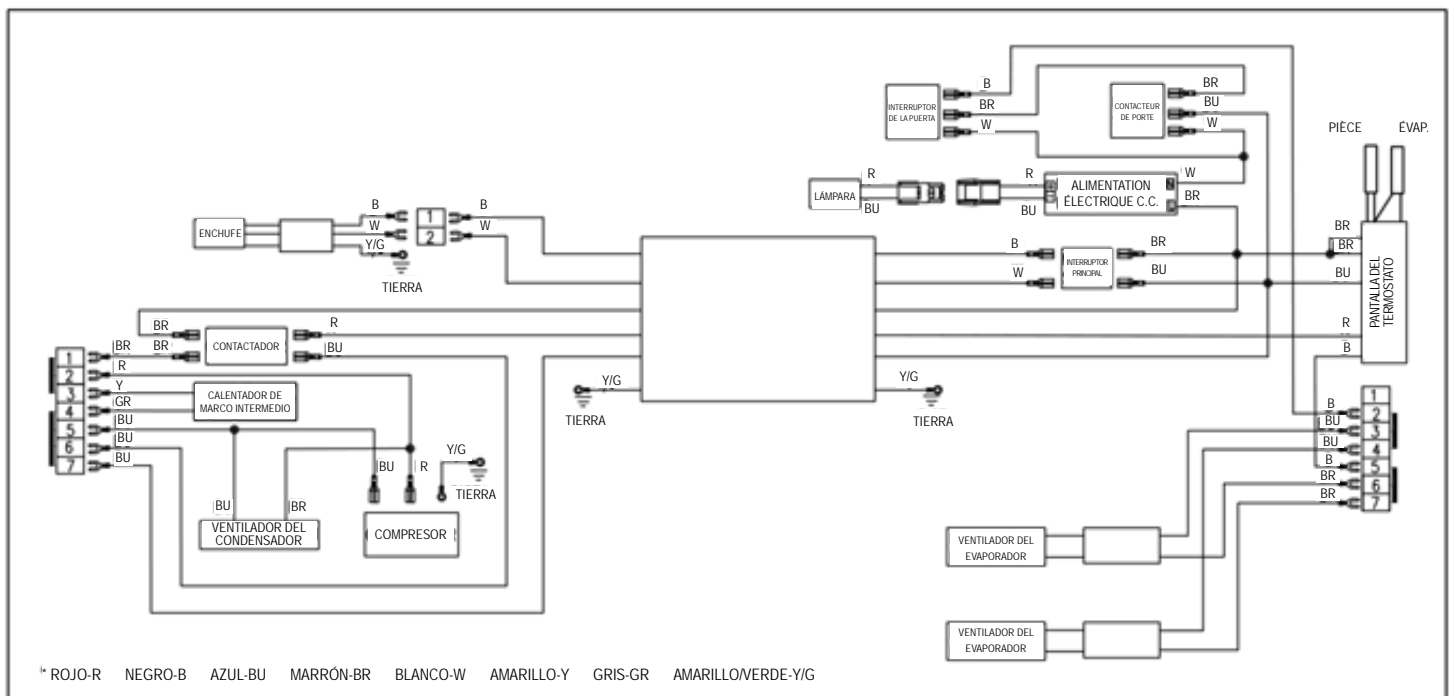
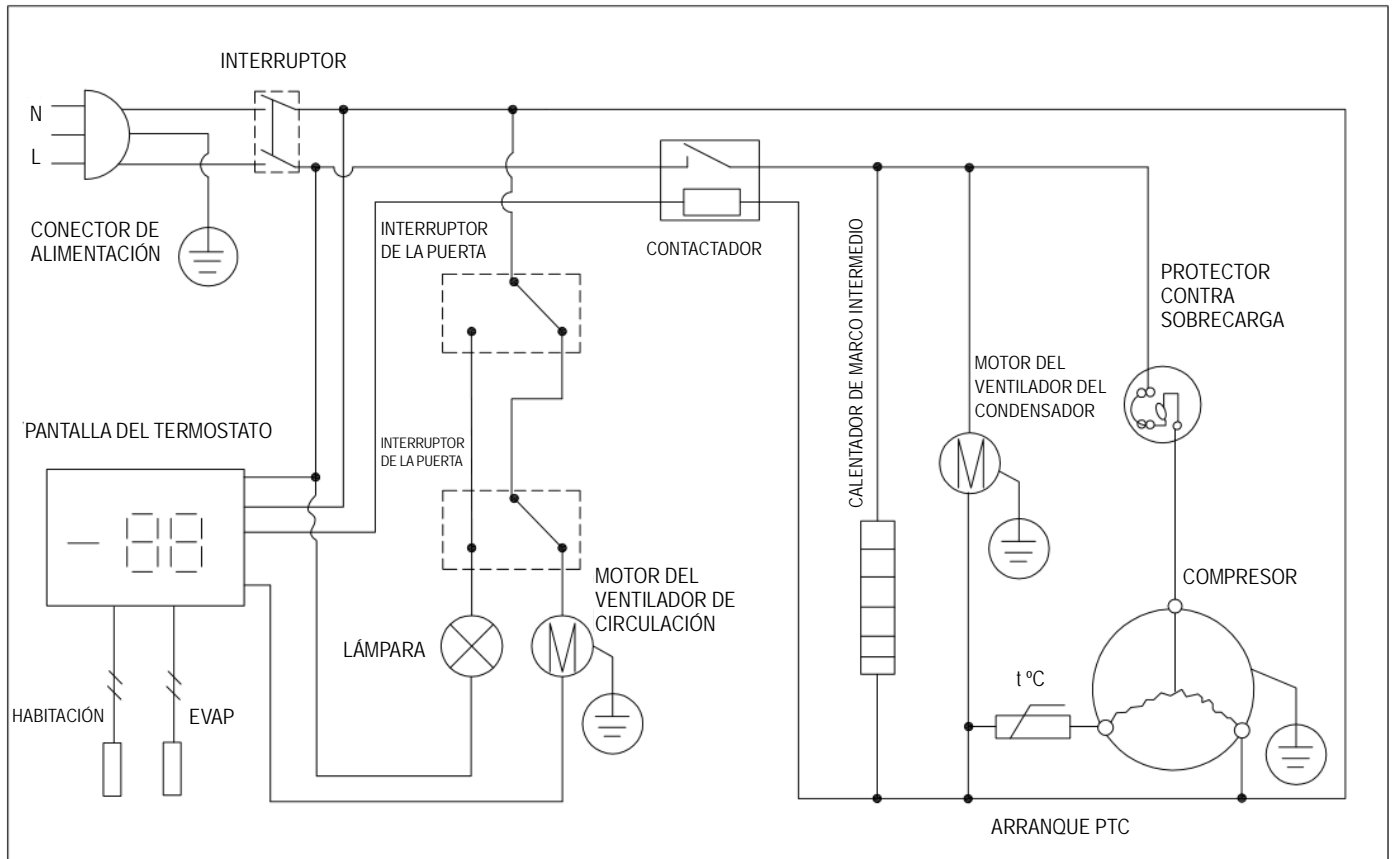
## MODELO: MXSR-23GD





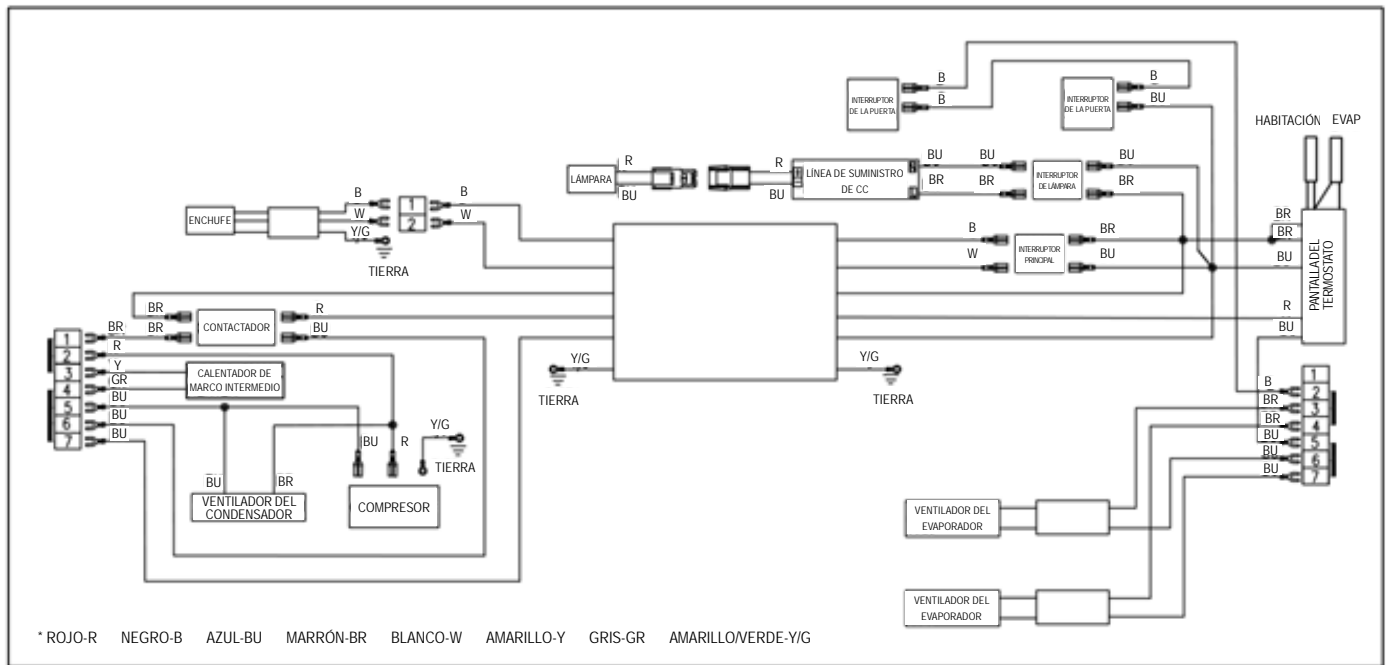
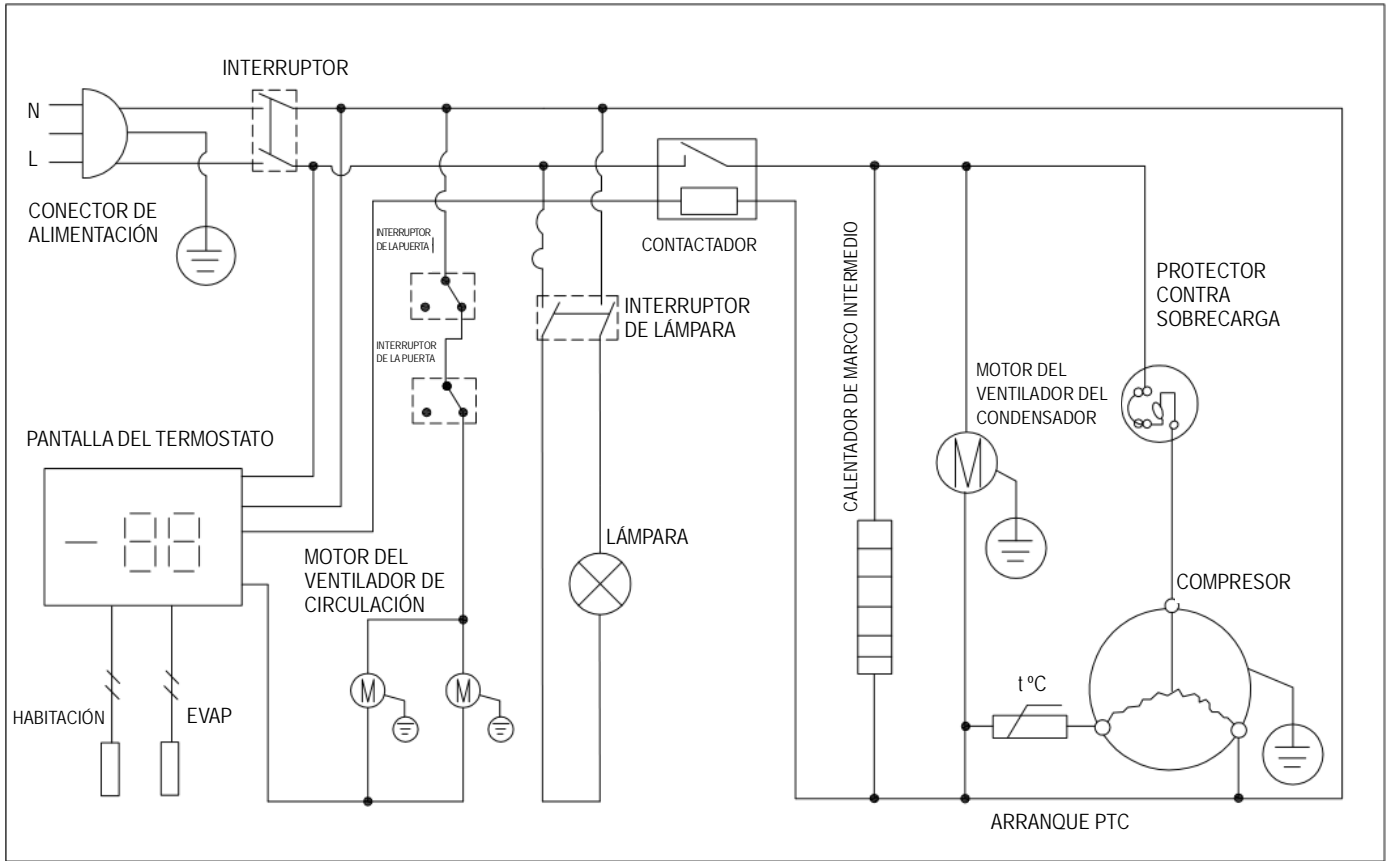
# DIAGRAMAS DE CABLEADO (cont.)

## MODELO: MXSR-49FD



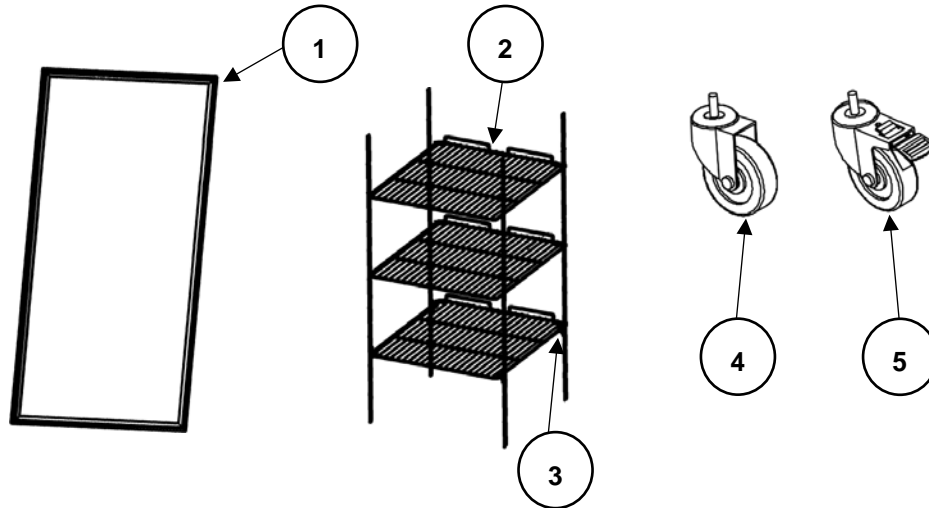
# DIAGRAMAS DE CABLEADO (cont.)

## MODELO: MXSR-49GD



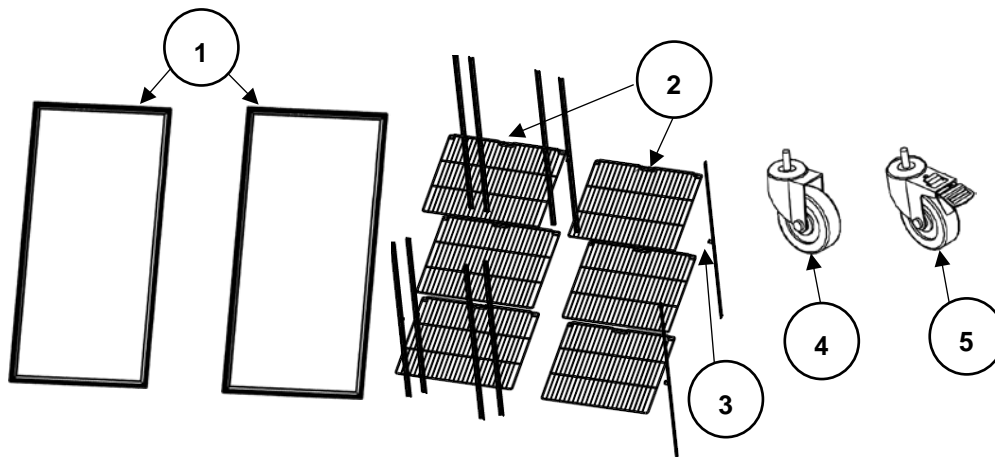
# PIEZAS

## MODELO: MXSR-23FD / MXSR-23GD



Artículo #	Número de pieza	Descripciones	Cantidad / Unidad
1	SKA-2-110-0047-0	Junta (puerta sólida) MXSR-23FD	1
1	SKA-2-110-0062-0	Junta (puerta de vidrio) MXSR-23GD	1
2	SKA-2-120-0016-0	Repisa	3
3	SKC-2-110-0625-0	Presilla de repisa	12
4	SKA-2-140-0002-0	Ruedita	2
5	SKA-2-140-0001-0	Ruedita con freno	2

## MODELO: MXSR-49FD / MXSR-49GD



Artículo #	Número de pieza	Descripciones	Cantidad / Unidad
1	SKA-2-110-0047-0	Junta (puerta sólida) MXSR-49FD	2
1	SKA-2-110-0062-0	Junta (puerta de vidrio) MXSR-49GD	2
2	SKA-2-120-0015-0	Repisa	6
3	SKC-2-110-0625-0	Presilla de repisa	24
4	SKA-2-140-0002-0	Ruedita	2
5	SKA-2-140-0001-0	Ruedita con freno	2